

RESIDENTIAL SLIMLINE CORRUGATE WALL CLADDING METER BOX SIDE FLASHING FOR VERTICAL CLADDING ON CAVITY

Detail Number: RI-RSLW016A-1

Date drawn: 07/07/2017

Scale: 1 : 5 @ A4

BUILDING WRAP DRESSED INTO OPENING
WITH 50mm RETURN TO INSIDE OF
FRAME WITH WINDOW FLASHING TAPE
INSTALLED OVER WRAP TO CORNERS

WATERPROOF AIRSEAL TO
PERIMETER OF TRIM
CAVITY

ROOFING INDUSTRIES BACK
TRAY* FLASHING RUN FROM
TOP OF HEAD FLASHING TO
GROUND OR EXIT POINT

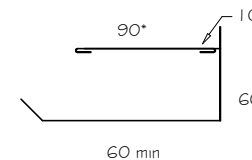
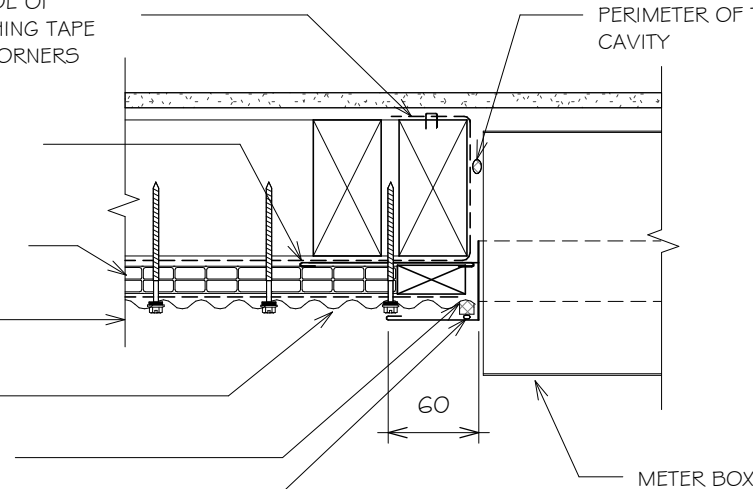
HORIZ BATTEN BETWEEN
VERTICAL BATTENS

ROOFING INDUSTRIES
'SLIMLINE MINI CORRUGATE'

SCREW FIXING

PROFILED CLOSED CELL
FOAM SET IN SEALANT

SEAL AND RIVET 40x60 min
COLORSTEEL ANGLE



* Back tray size may require to increase
to ensure coverage at ends of head
flashing. (Dimensions are indicative only)
Turn down end of head flashing

NOTES:

1. REFER TO E2/AS1 FOR GENERAL METERBOX AND SIMILAR PENETRATIONS / OPENINGS.
2. CAVITY BATTENS CONTAINING CORROSIVE MATERIAL MUST BE SEPARATED FROM METAL CLADDING BY DPC, BUILDING WRAP, PVC OR PAINTING
3. CASTELLATED BATTEN, DRAINAGE PLASTIC BATTEN OR APPROVED DRAINED BATTEN CAN BE USED WITH THIS SYSTEM

NOTES:

- These details are generally in compliance with E2/AS1 and/or the NZ Metal Roof & Wall Cladding Code of Practice and in some cases specific details by 'Roofing Industries'.
- The building designer is ultimately responsible to ensure that details used meet the requirements of the NZ Building Code for the specific project.
- Details of the supporting structure including cavity battens are indicative only and are the responsibility of the building designer. For steel framed buildings thermal break cavity battens may be required.
- Underlay selection and building wrap types are the responsibility of the designer. When rigid wall underlay is required it is the designers responsibility to ensure the correct type is used and follow the manufacturers recommendation for installation.
- These details are for Roofing Industries profile/s as nominated and may not be applicable to other profiles.
- This drawing is the copyright of 'Roofing Industries' and can only be copied or reproduced with their permission.
- Further information can be obtained from the NZ Metal Roof & Wall Cladding Code of Practice: www.metalroofing.org.nz or E2/AS1.

Copyright detail © 2017



SLIMLINE IS OUTSIDE THE SCOPE OF E2/AS1 BUT
MAYBE APPLICABLE FOR NON RESIDENTIAL
BUILDINGS OR AS AN ALTERNATIVE SOLUTION