

RESIDENTIAL RT7 WALL CLADDING

METER BOX SIDE FLASHING FOR HORIZONTAL CLADDING

Detail Number: RI-RRTWO41A

Date drawn: 07/07/2017

Scale: 1 : 5@ A4

BUILDING WRAP DRESSED INTO
OPENING WITH 50mm RETURN
TO INSIDE OF FRAME WITH
WINDOW FLASHING TAPE
INSTALLED OVER WRAP

SCREW FIXING

ROOFING INDUSTRIES BACK
TRAY* FLASHING RUN FROM TOP
OF HEAD FLASHING TO GROUND
OR EXIT POINT

SEPARATION OF BATTEN
AND METAL CLADDING

ROOFING INDUSTRIES 'RT7'

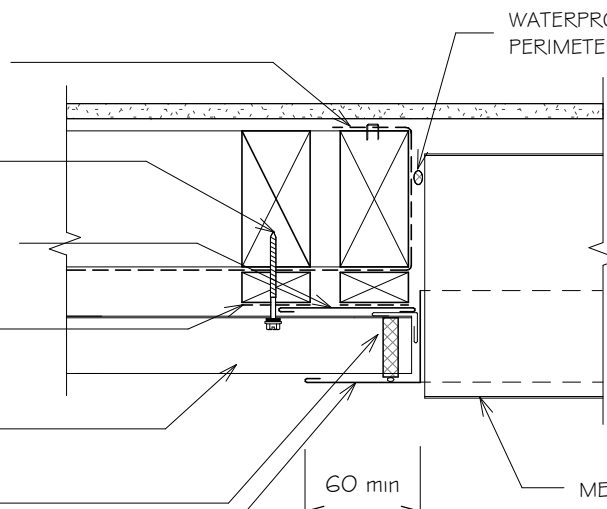
PROFILED CLOSED CELL FOAM
SET IN SEALANT

SEAL AND RIVET 40x60
COLORSTEEL ANGLE

WATERPROOF AIRSEAL TO
PERIMETER OF TRIM CAVITY

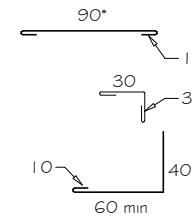
METER BOX

60 min



GENERAL NOTES:

1. CAVITY BATTENS CONTAINING CORROSIVE MATERIAL MUST BE SEPARATED FROM METAL CLADDING BY DPC, BUILDING WRAP, PVC OR PAINTING.
2. REFER TO E2/AS1 FOR GENERAL METERBOX AND SIMILAR PENETRATIONS / OPENINGS.



- * Back tray size may require to increase to ensure coverage at ends of head flashing.
(Dimensions are indicative only)
Turn down end of head flashing

NOTES:

- These details are generally in compliance with E2/AS1 and/or the NZ Metal Roof & Wall Cladding Code of Practice and in some cases specific details by 'Roofing Industries'.
- The building designer is ultimately responsible to ensure that details used meet the requirements of the NZ Building Code for the specific project.
- Details of the supporting structure including cavity battens are indicative only and are the responsibility of the building designer. For steel framed buildings thermal break cavity battens may be required.
- Underlay selection and building wrap types are the responsibility of the designer. When rigid wall underlay is required it is the designers responsibility to ensure the correct type is used and follow the manufacturers recommendation for installation.
- These details are for Roofing Industries profile/s as nominated and may not be applicable to other profiles.
- This drawing is the copyright of 'Roofing Industries' and can only be copied or reproduced with their permission.
- Further information can be obtained from the NZ Metal Roof & Wall Cladding Code of Practice: www.metalroofing.org.nz OR NZBC clause E2/AS1.

Copyright detail © 2017

