

RESIDENTIAL RT7 WALL CLADDING

METER BOX BASE FLASHING FOR HORIZONTAL CLADDING

Detail Number: RI-RRTWO42A

Date drawn: 07/07/2017

Scale: 1 : 5@ A4

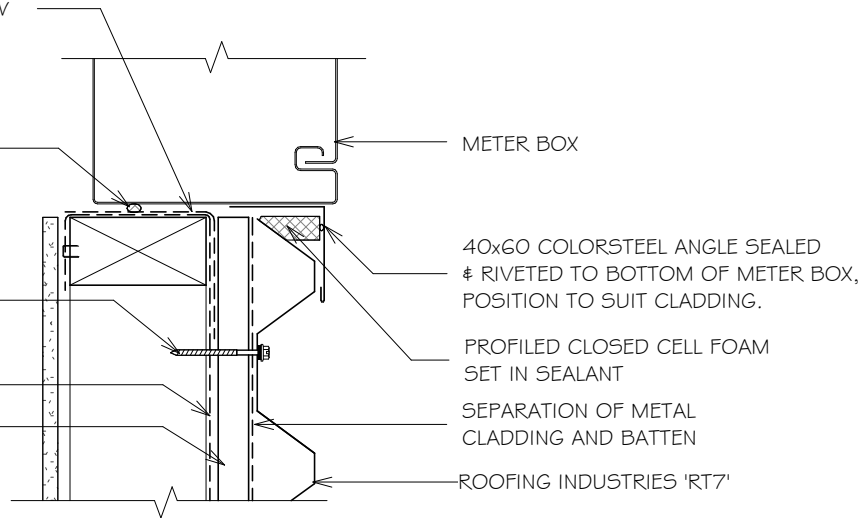
BUILDING WRAP DRESSED INTO
OPENING WITH 50mm RETURN TO
INSIDE OF FRAME WITH WINDOW
FLASHING TAPE FLUSH WITH
INSIDE OF FRAME

WATERPROOF AIRSEAL TO
PERIMETER OF TRIM CAVITY

SCREW FIXING TO PAN

BUILDING WRAP

CAVITY BATTENS



METER BOX

40x60 COLORSTEEL ANGLE SEALED
& RIVETED TO BOTTOM OF METER BOX,
POSITION TO SUIT CLADDING.

PROFILED CLOSED CELL FOAM
SET IN SEALANT

SEPARATION OF METAL
CLADDING AND BATTEN

ROOFING INDUSTRIES 'RT7'

GENERAL NOTES:

1. CAVITY BATTENS CONTAINING CORROSIVE MATERIAL MUST BE SEPARATED FROM METAL CLADDING BY DPC, BUILDING WRAP, PVC OR PAINTING.
2. REFER TO E2/AS 1 FOR GENERAL METERBOX AND SIMILAR PENETRATIONS / OPENINGS.

NOTES:

- These details are generally in compliance with E2/AS 1 and/or the NZ Metal Roof & Wall Cladding Code of Practice and in some cases specific details by 'Roofing Industries'.
- The building designer is ultimately responsible to ensure that details used meet the requirements of the NZ Building Code for the specific project.
- Details of the supporting structure including cavity battens are indicative only and are the responsibility of the building designer. For steel framed buildings thermal break cavity battens may be required.
- Underlay selection and building wrap types are the responsibility of the designer. When rigid wall underlay is required it is the designers responsibility to ensure the correct type is used and follow the manufacturers recommendation for installation.
- These details are for Roofing Industries profile/s as nominated and may not be applicable to other profiles.
- This drawing is the copyright of 'Roofing Industries' and can only be copied or reproduced with their permission.
- Further information can be obtained from the NZ Metal Roof & Wall Cladding Code of Practice:
www.metalroofing.org.nz OR NZBC clause E2/AS 1.

Copyright detail © 2017

