



Stainless Steel

MacDonald Industries has a sanitary solution for public, semi-public, and commercial facilities with Franke stainless steel. Designed for durability, excellent quality, functionality and appearance.

- Wash Basins
- Toilet Pans and Toilet Suites
- Urinals
- Combination Toilet and Basins
- Washtroughs and Cleaners Sinks
- Drinking Fountains



**MACDONALD
INDUSTRIES LIMITED**

About us

For more than 50 years MacDonald Industries has provided quality service to architects, consulting engineers, and the commercial building industry. This experience has allowed us to build a reputation for quality products, backed by our world leading suppliers.

Commercial building products require special attention to detail to ensure good looks, reliability and in particular, ease of maintenance is built into their design. It is with this in mind that MacDonald Industries Ltd choose their supplier partners.

FRANKE

Franke Water Systems are the worlds leading sanitary specialist and offers both innovative and intelligent washroom and sanitary solutions from a single source. We are particularly proud that Franke are still producing 90% of their products in their own factories.

Thanks to continuous investment in research and development, Franke are in a position to expand and improve their competencies on a continuous basis.

Toilets, basins and urinals that will provide style and practicality to every bathroom, the Franke range is unsurpassed. Careful thought has been given to each product shown in this catalogue, each meeting or exceeding current WELS ratings, where applicable. From standard toilets through to the most practical range of accessible compliant products, Franke will provide the ultimate solution.

CLEANING & CARE

Brushes with natural or synthetic bristles, textiles made of chemical or natural fibres, microfibre cloths, non-woven plastic textiles, natural leather, sponge cloths, sponges, high-pressure cleaners, steam cleaners, toothpaste, household cleaners, window cleaners and natural cleaning agents such as vinegar water (20% vinegar / 80% water) are well suited to removing heavier stains.

Franke offer a cleaning sponge named the 'Twister' supplied with a 125ml tub of cleaning agent that can be purchased.

It is not recommended to use steel wool, scouring powder, grinding powder, polishing powder or sandpaper; these products will damage the surface.

MIRANIT WASH BASINS

MIRANIT, resin-bonded mineral granite, is a unique combination of strength and design capabilities used to create a new generation of wash basins to meet the requirements of commercial and public sanitary facilities. Depending on the requirements, MIRANIT wash basins are available as single, double and triple units and can also be supplied with or without tap holes on the rear ledge.

TECHNICAL INFORMATION

Products shown in this catalogue show dimensions and details that are correct at time of printing. It cannot be guaranteed for its accuracy and therefore should not be used for set out purposes. Any changes in detail will be updated on Technical Data Sheets available on our website; www.macdonaldindustries.co.nz

Products may be replaced/updated from time to time, therefore refer to website for latest information on available products.

WARRANTY

Franke products are manufactured to the highest level possible with the latest and most sophisticated technology, which gives MacDonald Industries confidence as the leading commercial bathroom specialists to offer an extended warranty from material and manufacturing defects for 10 years on all stainless steel and for 1 year on seats & parts.

In addition to this we offer specification support in the selection of the most suitable products as well as after sales technical support for any issue that may arise.



WASH BASINS

04

Variety of wash basins to suit every application

MIRANIT WASH BASINS

06

Resin-bonded mineral granite wash basins

TOILETS

08

Floor mounted toilets, wall mounted toilets, bariatric toilets, NZS4121 accessible toilets and toilet suites

URINAL AND PARTITION

10

Single wall hung urinal and partition

COMBINATION TOILET AND BASIN

11

Custodial toilet & basin combination units

WASHTROUGHS

12

Wall mounted washtroughs

CLEANERS SINKS

13

Cleaners sinks and sink faucet

DRINKING FOUNTAINS

14

Sturdy and hygienic drinking fountains

Water efficiency

Water rating labels help you choose water efficient products, conserving New Zealand's water supply and reducing



your bills. You will find WELS labels on all required products.

Accessibility

Look for the MacDonald Industries accessible icon for products designed specifically for accessible bathrooms



meeting the requirements of the NZS4121 standards.

FRANKE

MACDONALD INDUSTRIES LIMITED

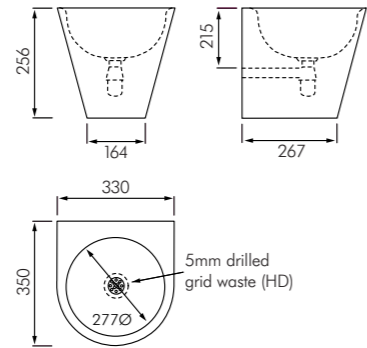
Wash basins

Franke stainless steel wash basins come in a variety of sizes to suit every application and our heavy duty basins are designed for the hardest areas. Designed for maximum wear and demanding specifications in public and commercial bathrooms.

Franke Centinel Wash Basin

FR-ANMX205-MD - Medium duty
FR-ANMX205-HD - Heavy duty

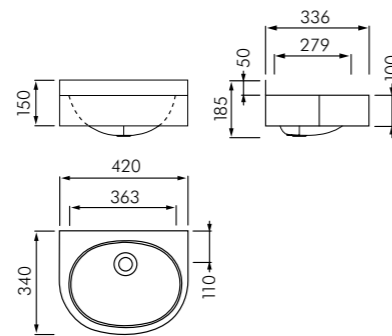
- Medium duty for front of wall fixing with removable access plate on base and supplied with waste and trap
- Heavy duty is for through wall fixing and with drilled grid waste



Franke Oval-A Wash Basin

FROVALA - Standard wash basin

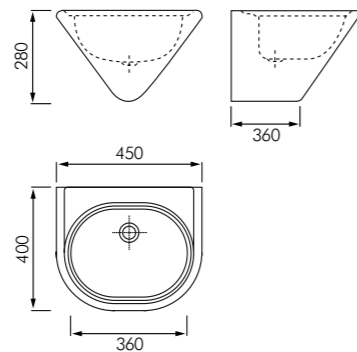
- Basic wash basin suitable for exposed trap (supplied by others)
- Tap ledge in each corner for mounting basin tap/mixer



Franke Guardian Wash Basin

HDTX450

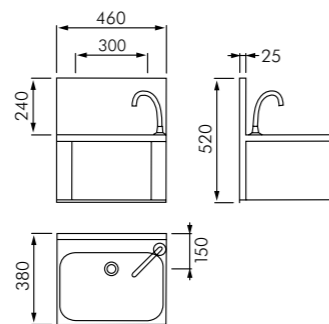
- Heavy duty basin for through wall fixing
- 40mm tap ledge
- Bolts and fixings supplied
- Supplied with 32mm flat perforated waste
- Note: This wash basin is only suitable for duct wall mounting



Franke Knee Operated Wash Basin

FR-ANMX206

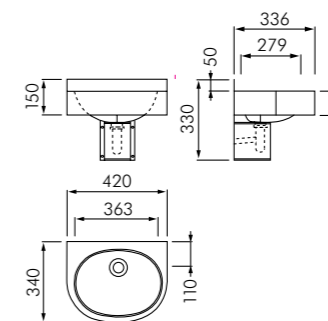
- Operated by pressing front panel with knee
- Spout pre-mounted in rear-right corner
- Supplied complete with pre-mixing valve and pipework linking panel to spout
- Ideal for food preparation areas



Franke Oval-A Wash Basin For Accessible Bathroom

FROVALA-ACC - Accessible wash basin

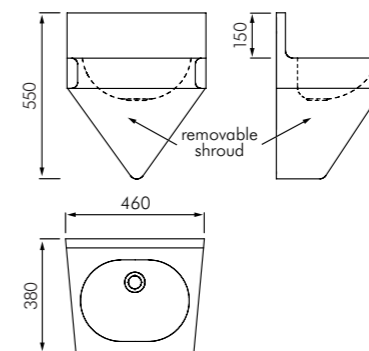
- Accessible basin has shroud for user safety and comfort
- Tap ledge in each corner for mounting basin tap/mixer
- NZS4121 compliant



Franke Security Wash Basin

FR-ANMX452

- Heavy duty basin for front wall fixing
- Removable undershield with concealed wall brackets
- Tap ledge on left or right hand side or bubbler on upstand (as shown)
- Supplied with 32mm flat perforated waste
- NZS4121 compliant





Miranit Wash Basins

Resin-bonded mineral granite basins give a modern and pleasing appearance offering a warm domestic look. Created from one piece single cast, Quadro basins are resistant up to 80°C giving a smooth, pore-free, hygienic and easy care surface.

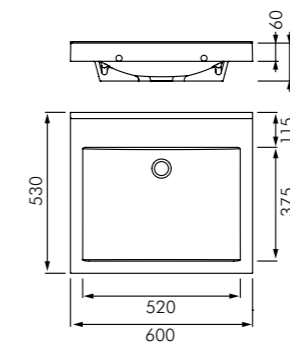
Sanitary fixture products made of shatter-proof and synthetic resin-bonded mineral granite are excellently suited to the modern and - at the same time - aesthetically pleasing interior design of sanitary facilities. Literally created from a single cast, Miranit products made without bond seams or joints cut an impressive figure due to properties such as high stability, an elegant appearance and - thanks to the smooth, pore-free, hygienic and easy-care gel coat surface - outstanding resistance.

Miranit consists of approximately 80% natural minerals such as marble powder, sandstone and quartz sand, and approximately 20% high-quality unsaturated polyester resin. Therefore Miranit is ideal for where a ceramic appearance is required but with stainless-steel-like performance of impact resistance. Surface damage can be mended with special repair kits.

Franke Quadro Single Wash Basin

FR-ANMW410 - Without tap hole
FR-ANMW411 - With tap hole

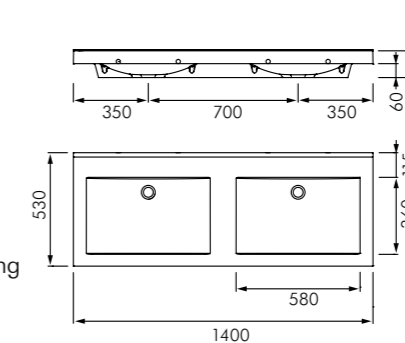
- 600x530mm wash basin
- Smooth, pore-free surface
- Seamless, rectangular bowl
- Integrated brackets and holes for fixing
- Mounting hanger bolts and dowels included



Franke Quadro Double Wash Basin

FR-ANMW420 - Without tap hole
FR-ANMW421 - With tap hole

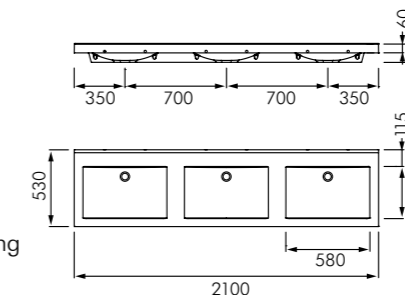
- 1400x530mm wash basin
- Smooth, pore-free surface
- Seamless, rectangular bowl
- Integrated brackets and holes for fixing
- Mounting hanger bolts and dowels included



Franke Quadro Triple Wash Basin

FR-ANMW430 - Without tap hole
FR-ANMW431 - With tap hole

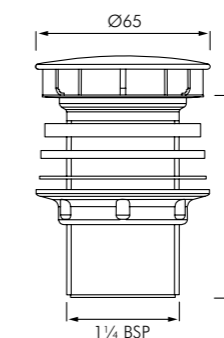
- 2100x530mm wash basin
- Smooth, pore-free surface
- Seamless, rectangular bowl
- Integrated brackets and holes for fixing
- Mounting hanger bolts and dowels included



MacDonald Chrome Domed Basin Waste

SA-BWD

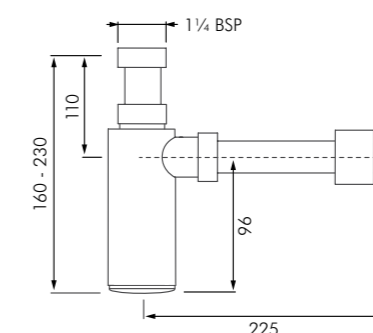
- Removable chrome dome for hygiene
- Suitable for basins without overflow
- 32mm BSP threaded connection



MacDonald Chrome Bottle Trap

SA-BT32C

- Removable chrome dome for hygiene
- Suitable for basins without overflow
- 32/40mm chrome plated bottle trap



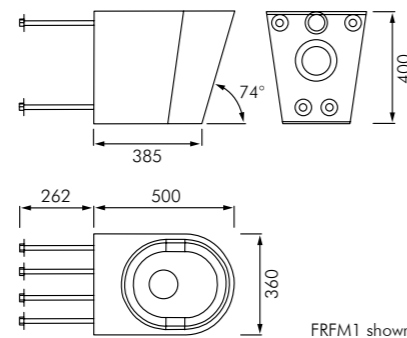
Franke Toilets

Franke toilet pans made from 1.6mm thick, type 304 stainless steel. Certified concealed flushing rim with minimum 4 litre flushing capacity. Available for floor mounting, wall mounting, and in bariatric and accessible formats.

Franke accessible toilets meet the NZS4121 requirements and can be front fixed. Seats with lids or seat pads are available, but our recommendation when installing a back rest is to use seat pads to create a comfortable unobstructed seating position for the user. Refer to technical data sheets for fixing details.

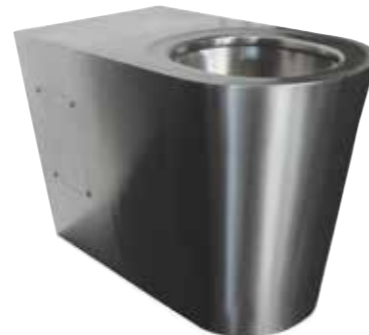
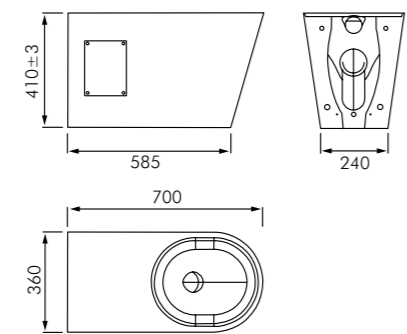
Franke P-Trap Toilet Pan, Floor Mounted

- FRFM1 - For through wall fixing
- FRFM2 - For front of wall fixing
- FRSP - Plastic seat pads, grey
- FRSB - Plastic seat, black
- FRSG - Plastic seat, grey
- FRSW - Plastic seat, white



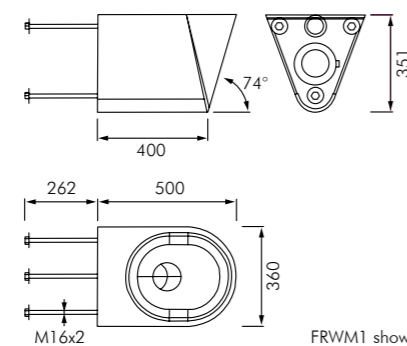
Franke P or S-Trap Toilet Pan, Floor Mounted

- FRFM4 - For front of wall fixing
- FRSP - Plastic seat pads, grey
- FRSB - Plastic seat, black
- FRSG - Plastic seat, grey
- FRSW - Plastic seat, white



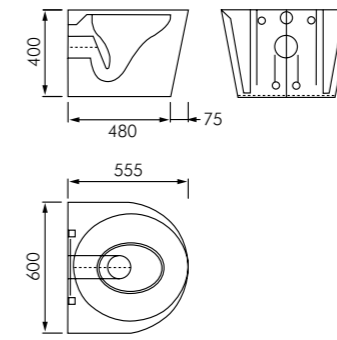
Franke Toilet Pan, Wall Mounted

- FRWM1 - For through wall fixing
- FRWM2 - For front of wall fixing
- FRSP - Plastic seat pads, grey
- FRSB - Plastic seat, black
- FRSG - Plastic seat, grey
- FRSW - Plastic seat, white



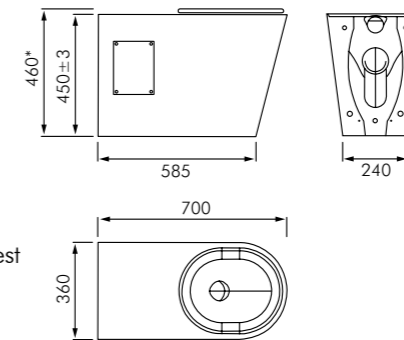
Franke Bariatric Toilet Pan G2-2080N

- Maximum user weight 380kgs
- Fitted with large heavy duty sturdy seat for increased support & comfort



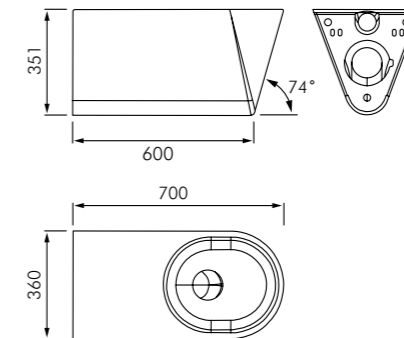
Franke Accessible Toilet Pan, Floor Mounted

- FRFM5 - For front of wall fixing
 - FRSP - Plastic seat pads, grey
 - FRSB - Plastic seat, black
 - FRSG - Plastic seat, grey
 - FRSW - Plastic seat, white
 - BE-BT35 - Optional accessible back rest
- *Meets requirements of NZS4121 when fitted with seat pads.



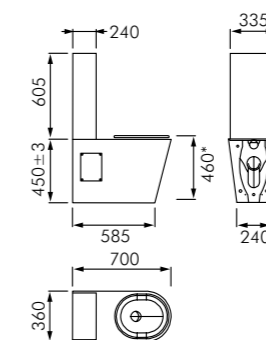
Franke Accessible Toilet Pan, Wall Mounted

- FRWM3 - For front of wall fixing
- FRSP - Plastic seat pads, grey
- FRSB - Plastic seat, black
- FRSG - Plastic seat, grey
- FRSW - Plastic seat, white
- BE-BT35 - Optional accessible back rest



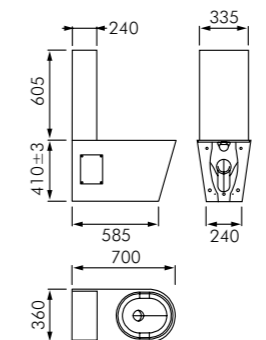
Franke Accessible Toilet Suite

- FRFM5-300VP - Accessible toilet suite with concealed Wisa Cistern
 - FRFM5-ZHVP - Accessible toilet suite with concealed Zurn flush valve
 - FRSP - Plastic seat pads, grey
 - FRSB - Plastic seat, black
 - FRSG - Plastic seat, grey
 - FRSW - Plastic seat, white
- *Meets requirements of NZS4121 when fitted with seat pads.



Franke Toilet Suite

- FRFM4-300VP - Toilet suite with concealed Wisa Cistern
- FRFM4-ZHVP - Toilet suite with concealed Zurn Flush Valve
- FRSP - Plastic seat pads, grey
- FRSB - Plastic seat, black
- FRSG - Plastic seat, grey
- FRSW - Plastic seat, white



Stainless Steel

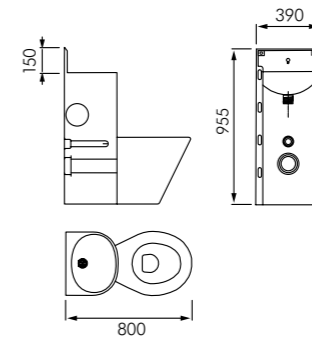


Combination Toilet and Basin

Franke combination toilet and basin for security facilities made from 1.2 and 1.6mm thick, type 304 stainless steel in satin finish. Available options include straight, left, and right hand angled toilet pan, with or without toilet roll holder, and can be used with our mechanical or electronic plumbing system.

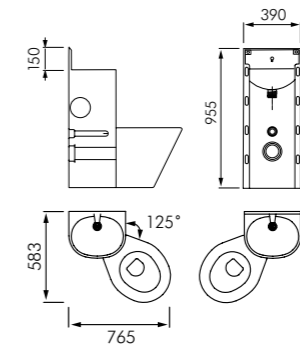
Franke Straight Combination Toilet Pan & Wash Basin

- FRCM1A** - Without toilet roll holder
- FRCM1L** - With left-hand toilet roll holder (as shown)
- FRCM1R** - With right-hand toilet roll holder



Franke Angled Combination Toilet Pan & Wash Basin

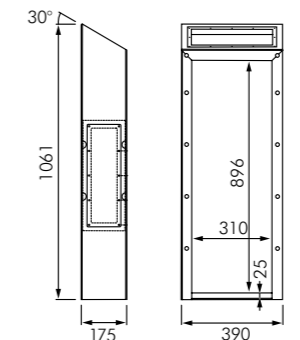
- FRCM2R** - Right-hand angled unit, with centre toilet roll holder (as shown)
- FRCM2LA** - Right-hand angled unit, no toilet roll holder
- FRCM2LA** - Left-hand angled unit, no toilet roll holder
- FRCM2L** - Left-hand angled unit, with centre toilet roll holder



Franke Combination Toilet & Wash Basin Extension Box

FRCM-EXT (Extension box only)

- Suited to where there is no access/service duct behind for plumbing
- Angled for security
- Can contain all valves (mechanical or electrical) for front of wall installation
- Secure fixed access panels on both sides and on top for servicing



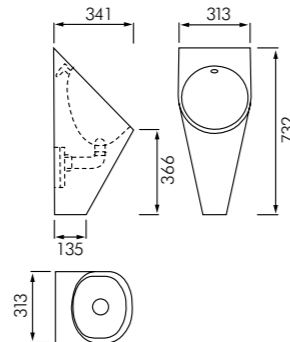
Urinal and Partition

Franke single urinal for wall mounting made from 1.2mm thick, grade 304 stainless steel in satin finish. For more than one urinal in a row, the urinal partition adds privacy to the bathroom for users.

Franke Pod Urinal

FR-CMPX538

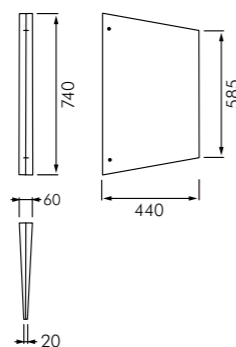
- Rear concealed inlet urinal Ø15mm
- Concealed rear outlet Ø50mm
- Includes spreader, fixing kit, waste and trap



Franke Stainless Steel Urinal Partition

CMPX700

- Includes fixing kit



✚ Please refer to our High Security brochure or website for our mechanical and electronic plumbing systems to suit these combination toilet and basins.

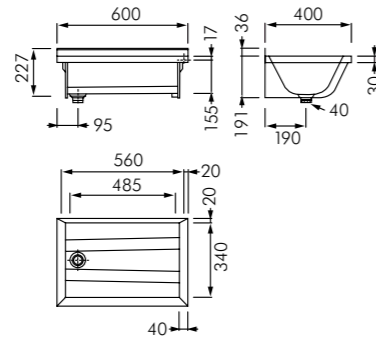
Washtroughs

Franke stainless steel washtroughs made from 0.8mm thick, grade 304 stainless steel. Ideally suited for installation in industrial workshops, sports facilities, school bathrooms and early childhood education facilities.

Franke Washtrough

- FR-ECN6L(R) - 600mm trough
- FR-ECN12L(R) - 1200mm trough
- FR-ECN18L(R) - 1800mm trough

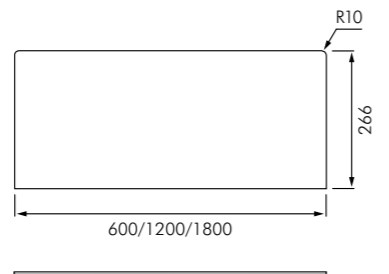
- Available left or right hand waste outlet (specify L or R)
- 70mm tap ledge for basin tap, or use bib tap for wall mounted tap



Franke Washtrough Backsplash

- FR-ECC6 - 600mm splashback
- FR-ECC12 - 1200mm splashback
- FR-ECC18 - 1800mm splashback

- To suit Franke FR-ECN washtrough, 266mm high



Shown with washtrough



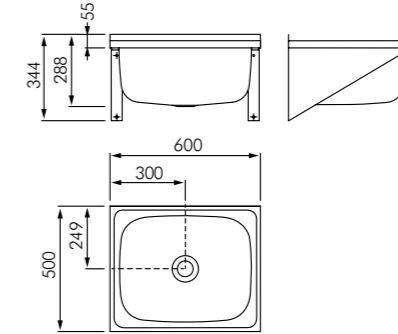
Cleaners Sinks

Franke cleaners sinks are one piece pressed stainless steel for improved hygiene and longer life. Made from 0.9mm thick, grade 304 stainless steel with a 40mm waste outlet. Large bowl has 43L capacity and is supplied with stainless steel brackets.

Franke Cleaners Sink

- FRCS - Standard sink
- FR-BS - Backsplash for sink
- FR-BS2 - Two-sided backsplash

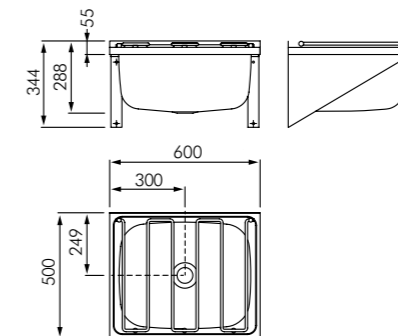
- One piece pressed for improved hygiene
- Supplied complete with a pair of support brackets



Franke Cleaners Sink With Bucket Grid

- FRCSH - Sink with bucket grid
- FR-BS - Backsplash for sink
- FR-BS2 - Two-sided backsplash

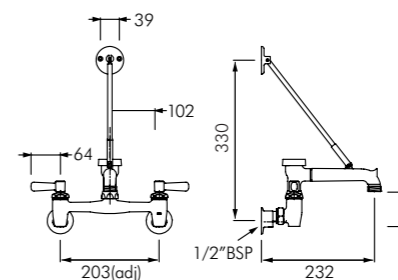
- One piece pressed for improved hygiene
- Supplied complete with a pair of support brackets
- Hinged bucket grid for support



Zurn Sink Faucet For Cleaners Sink

- Z-SF - Sink faucet
- Z-HH - 600mm hose & hanger bracket to suit sink faucet

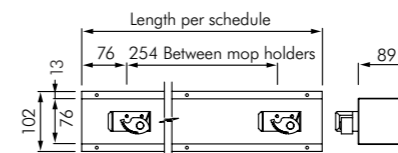
- Sink faucet with wall support, bucket hanger, backflow preventer built-in, and hose connection outlet
- 1/4 turn hot and cold controls
- Spout projection 232mm



Zurn Mop And Broom Holder Rack

- Z-MH3 - For 3 mops
- Z-MH4 - For 4 mops
- Z-MH5 - For 5 mops

- For holding mops or brooms
- Available for 3, 4 or 5 mops and brooms



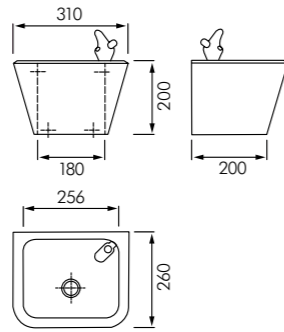
Drinking Fountains

Franke and MacDonald range of drinking fountains are very sturdy and hygienic made from 304 stainless steel. The supply of fresh drinking water is a well-appreciated service at high-frequented public places.

Franke Wall Hung Drinking Fountain

FR-ANMX300

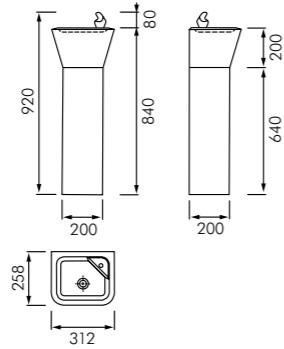
- For wall mounting
- 25mm flat perforated waste
- Manual self-closing drinking bubbler, 3/8" connection



Franke Wall Hung Drinking Fountain

FR-ANMX301

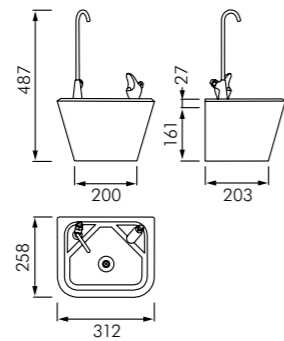
- Wall mounted with floor pedestal
- 1-1/2" flat perforated waste
- Manual self-closing drinking bubbler, 3/8" connection
- Floor standing pedestal trap cover



Franke Wall Hung Drinking Fountain with Bottle Filler

FR-ANMX306

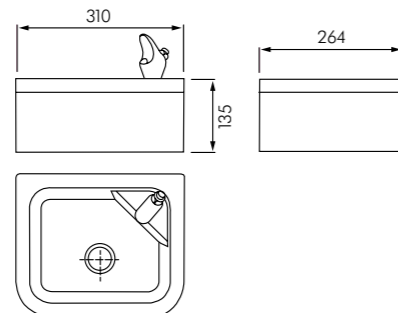
- For wall mounting
- 1-1/2" flat perforated waste
- Manual self-closing drinking bubbler, 3/8" connection
- Bottle filler tap



Franke Centinel Wall Hung Drinking Fountain

FR-G20100N

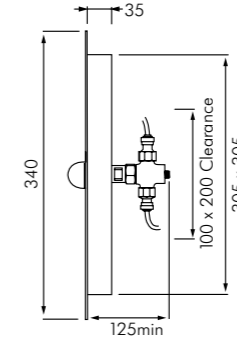
- For wall mounting
- 25mm flat perforated waste
- Manual self-closing drinking bubbler, 3/8" connection



MacDonald Security Drinking Fountain

MS-DF-340 - For front of wall fixing

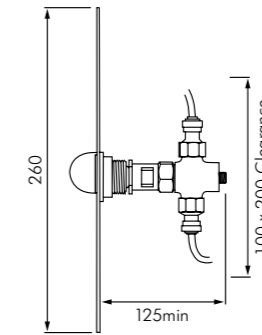
- Designed to be used outdoors
- 3 second delay after releasing button
- 2L/min flow rate
- Access plate dimensions 345x345mm



MacDonald Security Drinking Fountain

MS-DF-180 - For duct fixing

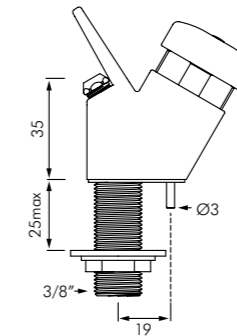
- Designed to be used outdoors
- 3 second delay after releasing button
- 2L/min flow rate
- Plate dimensions 180x260mm



Delabie Drinking Fountain

DE312QU1 - For deck fixing

- Bubbler for drinking fountains
- Instant shut off
- Adjustable flow rate
- Chrome plated brass body
- Connection 3/8"





**MACDONALD
INDUSTRIES LIMITED**

Auckland (Head Office)

20 Carr Rd, Three Kings
Auckland 1041

P: 09 624 1115

F: 09 624 1110

E: sales@macdonaldindustries.co.nz

Wellington

P: 04 569 8033

F: 04 569 8066

Christchurch

P: 03 348 2356

F: 03 348 2376

www.macdonaldindustries.co.nz