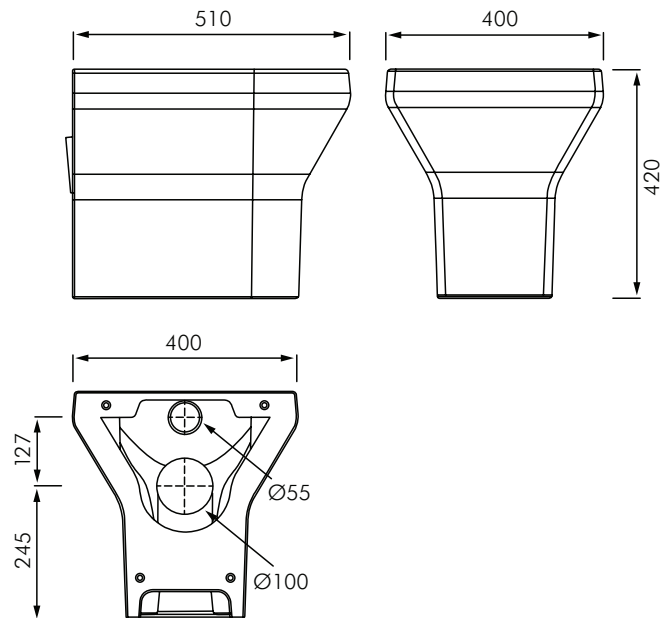


## DV-VR01-010 HIGH SECURITY TOILET



### DESCRIPTION

The Franke DV-VR01-010 is a high security toilet pan specifically manufactured for vandal-resistance and to avoid ligature points wherever possible. Large trap avoids blockages. Warm to touch surface eliminates 'icy shock' and gives the appearance of a domestic toilet.

Suitable for through wall mounting where there is a plumbing duct directly behind the pan allowing secure fixing. Includes 4 only 12mm x 280mm stainless steel threaded rods. Where no duct is available an optional inwall bracket is available. Water efficient 4 litre flush.

Also available for NZS4121 accessible bathroom requirements where the toilet pan is 480mm tall and with the use of an extension box (refer separate DV-VR01-011 tech data sheet).

A high-grade non-porous polyester gel coat surface in all white with moulded grey seat rim comes as standard. The gel coat has been specially formulated to resist chemicals and ultraviolet rays.

Particularly suitable for use in mental healthcare, healthcare, and custodial applications as an alternative to stainless steel fixtures.

### INSTALLATION

- Back to wall, through wall fixed.
- 6L flush meeting WELS 3 Star performance requirements.
- P trap only.
- Fixing kit for walls up to 250mm thick included.
- Also available in NZS4121 size (see model FR-VR01-011).
- Optional inwall mounting bracket, used where there is no duct directly behind WC (must have access panel above WC for waste/water connection).

### MODEL

**DV-VR01-010** - High security toilet pan with moulded grey seat rim

### OPTION

**DV-VR01-UWB** - Inwall mounting bracket to suit DV-VR01-010 and DV-VR01-011 toilets



**MACDONALD  
 INDUSTRIES LIMITED**

#### Auckland (Head Office)

20 Carr Rd, Three Kings  
 Auckland 1041  
 P: 09 624 1115  
 F: 09 624 1110  
 E: sales@macdonaldindustries.co.nz

#### Wellington

P: 04 569 8033  
 F: 04 569 8066

#### Christchurch

P: 03 348 2356  
 F: 03 348 2376