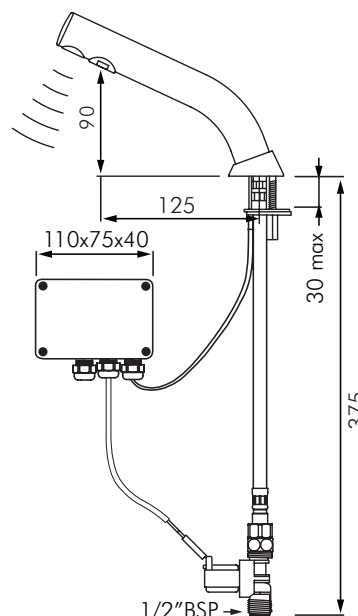


DE378 035 BLACK BINOPTIC ELECTRONIC TAP

DELABIE



DESCRIPTION

Delabie DE378 035 is a deck mounted matt black electronic basin tap with independent IP65 electronic control unit and shock-proof infrared presence detection sensor at the end of the spout. Available as 230/12V mains supply with transformer or 6V Lithium battery power. Adjustable anti-bacterial duty flush operates for ~60 seconds every 24 hours after last use. Flow rate is pre-set at 3L/min at 300kPa, can be adjusted from 1.5 to 6L/min. Operating pressure is 100-500kPa, 300kPa is recommended. Spout has a smooth interior and low volume of water (limits bacterial niches), and hygienic scale-resistant flow straightener.

Supplied with PEX flexible connector, solenoid valve, filter and M1/2" stopcock.

Chrome-plated brass body with matte black chrome finish.

We recommend installing a thermostatic mixing valve (see Water Tempering section).

INSTALLATION

- Deck mounted through Ø34mm hole.
- Reinforced fixation using 2x stainless steel fixing screws and support ring.
- 230V AC power connection to control box.
- 400mm PEX flexible with filter & solenoid connects to 1/2" water supply.
- Maximum Hot water temperature 55°C.
- Flow rate pre-set at 3L/min at 300kPa, can be adjusted from 1.5 to 6L/min by using a 2.5mm Allen key directly on the flow straightener.

MODELS

DE378 035 - Standard model 3L/min - 6 star WELS rating.

DE478035 - Same as DE378 035 but battery powered.



Auckland (Head Office)

20 Carr Rd, Three Kings
 Auckland 1042
 09 624 1115
sales@macdonaldindustries.co.nz
macdonaldindustries.co.nz

Christchurch

32B Hayton Road
 Wigram, Christchurch
 03 348 2356
christchurch@macdonaldindustries.co.nz

Wellington

04 569 8033