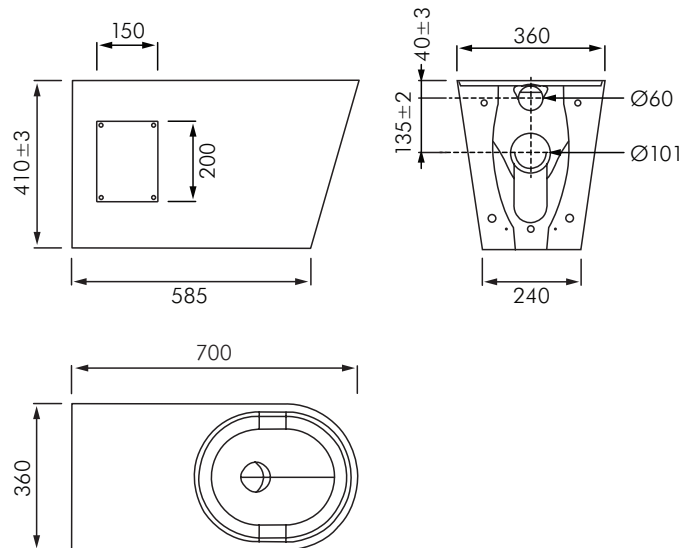
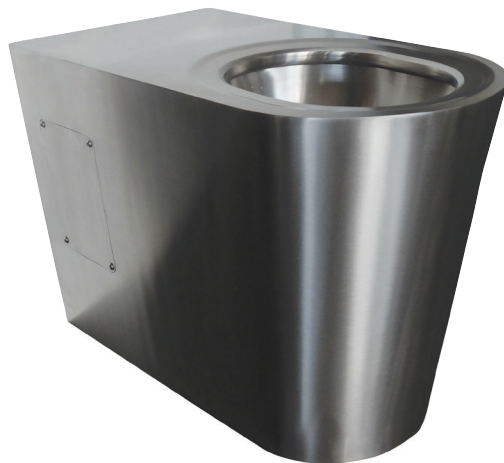


# FRFM4

## STAINLESS STEEL FLOOR MOUNTED S OR P TRAP WC PAN



### DESCRIPTION

FRANKE FRFM4 is a floor mounted stainless steel P trap toilet pan with side access panels. It is fully shrouded with anti-ligature flushing rim with sufficient room inside the shroud to enable it to be converted to an S Trap if preferred.

The top fascia plate is convex to prevent pooling of liquid. Seat or seat pads can be supplied but can only be fitted at time of ordering.

For flushing options, please refer to the Zurn flush valves, Warden control system or Wisa inwall cistern.

**Warning:** Do not use dimensions for set out purposes.

### INSTALLATION

This WC is designed for face wall/floor mounting. Access panels on each side of the WC allow the plumber to face wall fix and to complete plumbing connections. Alternatively it can be through wall bolted if there is a plumbing duct behind the pan. The pan can be installed as P or S trap.

### MODELS

**FRFM4** - Standard s or p trap toilet pan bolted through wall where there is a duct behind.

### OPTIONS

- FRSP** - Seat pads to suit.
- FRSB** - Double flap toilet seat in black.
- FRSW** - Double flap toilet seat in white.