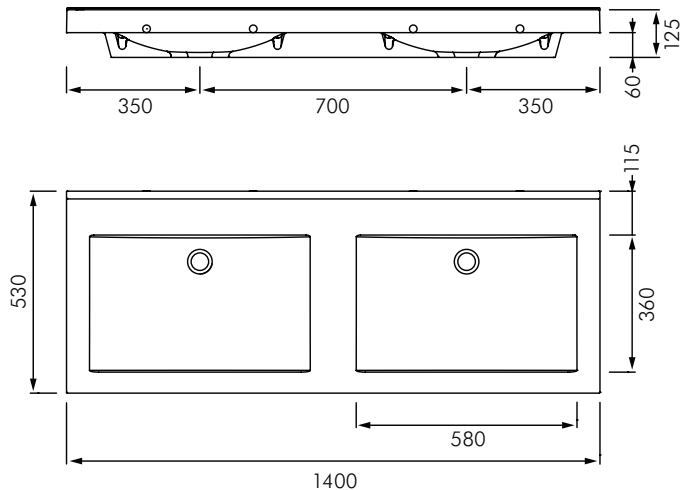


FR-ANMW420 QUADRO DOUBLE WASHBASIN



DESCRIPTION

Franke Quadro double washbasin, made of MIRANIT resin-bonded mineral material with smooth, pore-free surface (temperature resistant up to 80°C), with two seamless, rectangular bowls, without overflow. Integral back panel with integrated brackets and holes for fixing. Rear contoured edge. Three-sided apron. Mounting material included (hanger bolts and dowels). Finished in Alpine white colour. Washbasin dimensions 1400 x 60 x 530 (W x H x D), bowl dimensions 580 x 40/90 x 360 (W x H x D).

Available without taphole or with taphole (see models).

MODELS

- FR-ANMW420 - Double washbasin without taphole.
- FR-ANMW421 - Double washbasin with taphole.

Auckland (Head Office)

20 Carr Rd, Three Kings
Auckland 1042
09 624 1115
sales@macdonaldindustries.co.nz
macdonaldindustries.co.nz

Christchurch

32B Hayton Road
Wigram, Christchurch
03 348 2356
christchurch@macdonaldindustries.co.nz

Wellington

04 569 8033