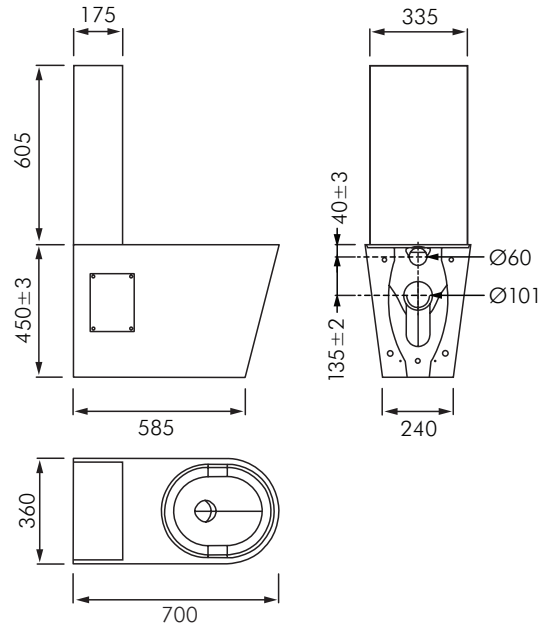


FRFM5-300VP

STAINLESS STEEL WC SUITE



DESCRIPTION

The Franke FRFM5-300VP is a disabled compliant stainless steel back to wall/ floor mounted toilet suite. It is suitable when vandal resistant products are required.

The cistern tank provided is WISA 300VP which is surface mounted behind a robust stainless steel cover. The pneumatic actuator is fitted on this. This is only available in a single 6L flush version.

INSTALLATION

The WC is screw fixed to wall and/or floor. The cistern's cover is mounted on the wall behind the WC according to instructions supplied.

The cistern inlet isolator is mounted behind the WC for security. Access to the isolator is via access panels located on either side of the WC.

Supplied as a standard P trap, it can be converted to S trap if preferred by using a proprietary waste elbow.

MODELS

FRFM5-300VP - Disabled compliant toilet suite.

OPTIONS:

FRSP - Grey plastic seat pads

FRSW - White seat and lid

FRSB - Black seat and lid

Also available in standard height to suit non disabled applications - refer FRFM4-300VP

