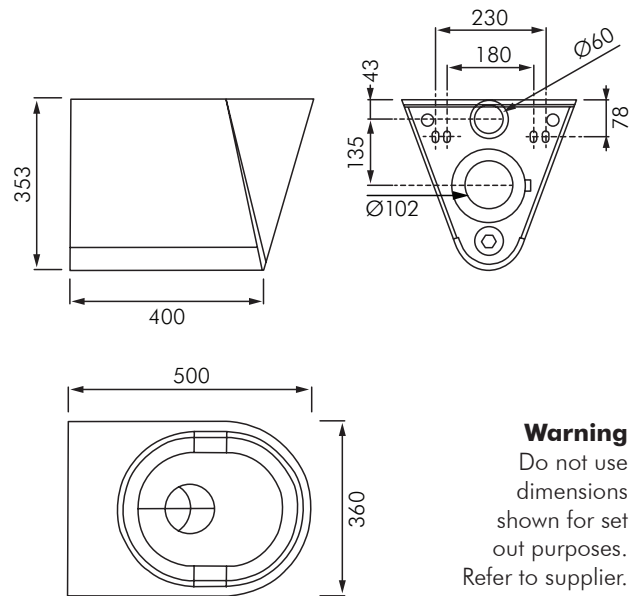


FRWM2
 STAINLESS STEEL WALL MOUNTED
 WC PAN - FACE WALL MOUNTED



Warning
 Do not use dimensions shown for set out purposes. Refer to supplier.

DESCRIPTION

Wall mounted WC pan fabricated in 1.6mm Type 304 stainless steel with a satin finish. Built for areas where vandalism is likely to cause damage to ceramic WCs. It is designed for face wall mounting, using pressfit brackets applied. They are 3 Star WELS rated when installed with a similarly rated flushing device.

- Flush with 6L of water.
- Designed for bolting to a face wall that is structurally sound and able to hold <250kgs load.
- They are available with or without seats or alternatively with seat pads fitted.

INSTALLATION

The pan is supplied with a “press-fit” bracket. This mounts on the face wall and the WC then bolts to the bracket. Suitable where there is no duct space behind the face wall. Refer page 2 for installation options.

The wall hung WC is also available 700mm long, which meets the disabled access code requirements. Back rests are available to meet current disabled code requirements (Refer separate literature FRWM3).

MODEL

FRWM2 -Wall mounted face wall fixed WC

OPTIONS:

- FRSP** - grey plastic seat pads
- FRSW** - White plastic seat
- FRSB** - Black plastic seat



Auckland (Head Office)

20 Carr Rd, Three Kings
 Auckland 1042
 09 624 1115
sales@macdonaldindustries.co.nz
macdonaldindustries.co.nz

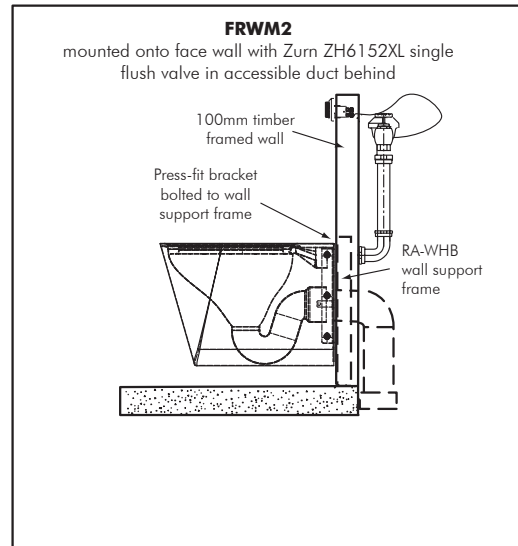
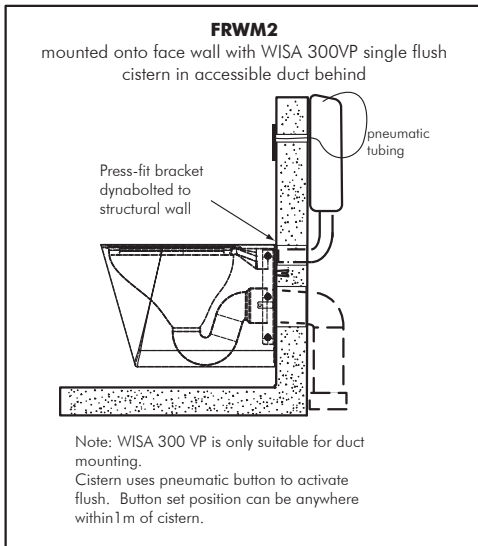
Christchurch

32B Hayton Road
 Wigram, Christchurch
 03 348 2356
christchurch@macdonaldindustries.co.nz

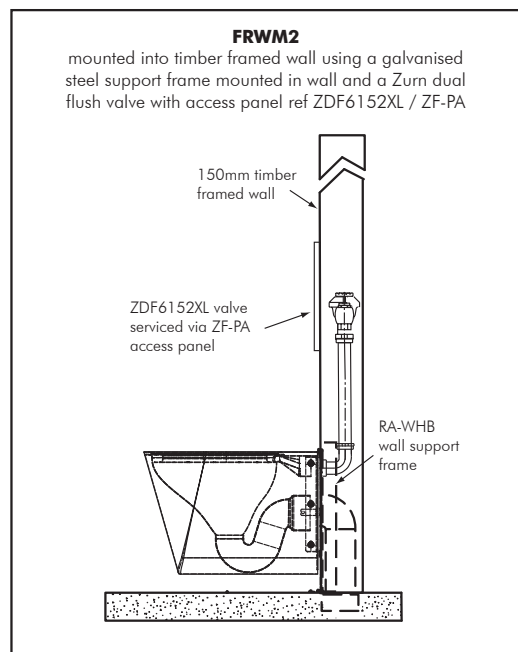
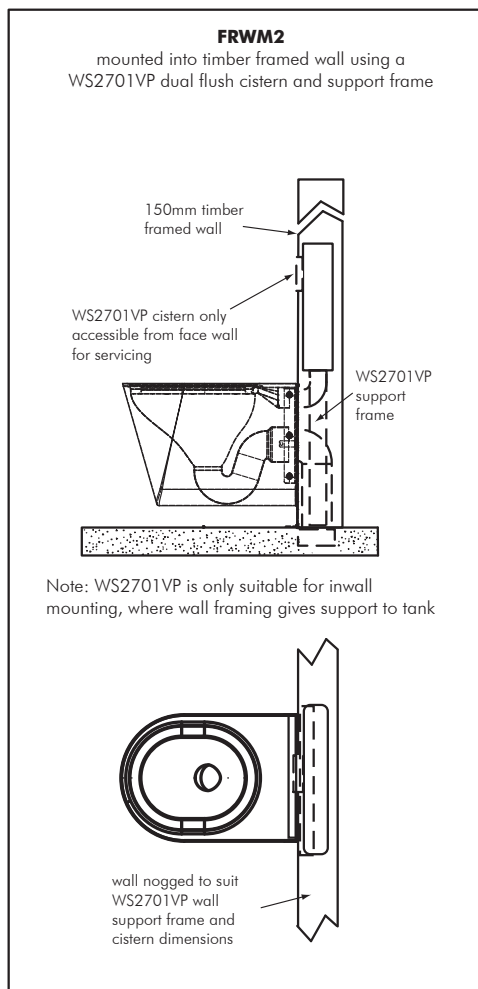
Wellington

04 569 8033

FRWM2 - WITH ACCESSIBLE DUCT



FRWM2 - NO DUCT



FRWM2 INSTALLATION GUIDES

Notes:

- These drawings are provided as possible ways of installing FR-WM2 WCs and they should not be regarded as final or dimensionally accurate. For details on flushing options shown, refer to each product Technical Data Sheet.
- Should a seat be required, all flush mechanisms should be installed in such a position that they avoid the seat lid.