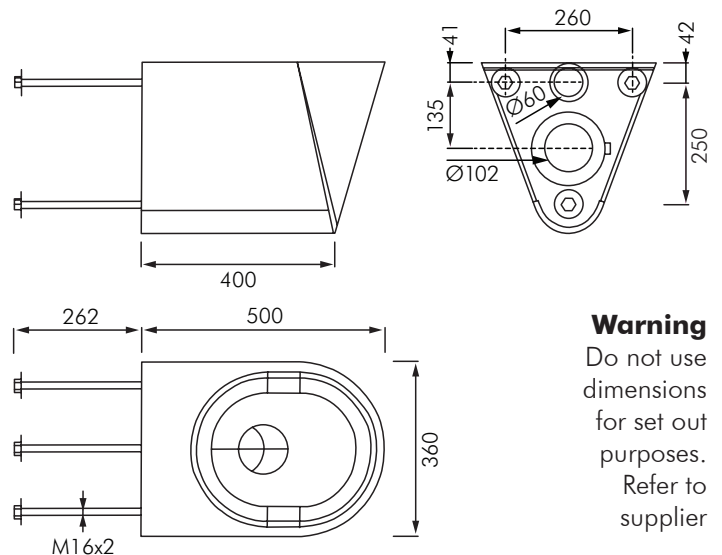
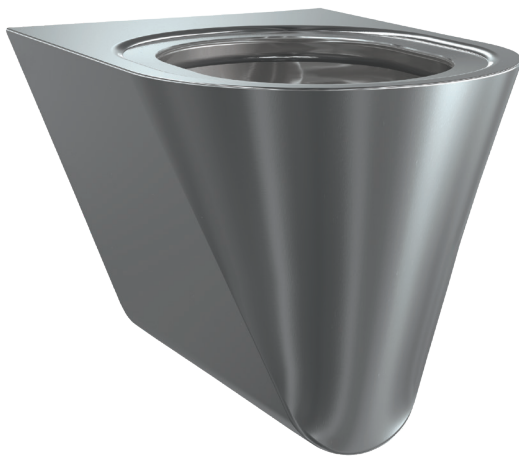


## FRWM1

# STAINLESS STEEL WALL MOUNTED TOILET PAN - THROUGH WALL BOLTED



**Warning**  
 Do not use dimensions for set out purposes. Refer to supplier

### DESCRIPTION

Franke FRWM1 toilet pan fabricated in 1.6mm Type 304 stainless steel with a satin finish. Built for areas where vandalism is likely to cause damage to ceramic toilets. It is designed for through wall mounting, using 3 x 16mm galvanised steel bolts. NOTE: The wall structure must be designed to cope with structural loads of up to 250kgs. If in doubt fit RA-WHB-ACC inwall bracket to aid support according to instructions supplied.

It is most suitable for high security applications where there is an accessible plumbing duct located directly behind the toilet. The toilets are available with or without seats or alternatively with seat pads fitted. All Franke toilets are designed to flush with 6L of water. They are 3 Star WELS rated when installed with a similarly rated flushing device.

### INSTALLATION

Refer to page 2 for installation options. Where there is no plumbing duct, refer to model FRWM2.

### MODELS

**FRWM1** - Wall mounted through wall fixed toilet

### OPTIONS:

- FRSP** - Grey plastic seat pads
- FRSW** - White plastic seat
- FRSB** - Black plastic seat

#### Auckland (Head Office)

20 Carr Rd, Three Kings  
 Auckland 1042  
 09 624 1115  
[sales@macdonaldindustries.co.nz](mailto:sales@macdonaldindustries.co.nz)  
[macdonaldindustries.co.nz](http://macdonaldindustries.co.nz)

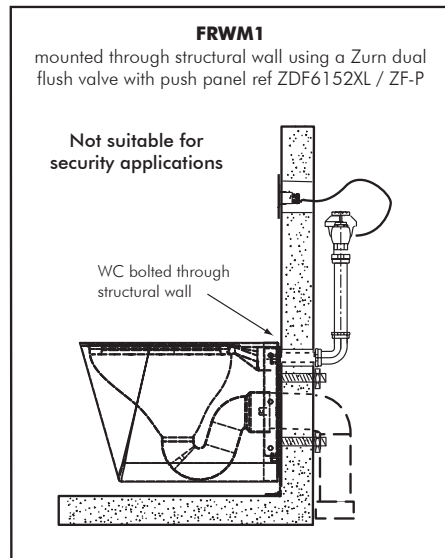
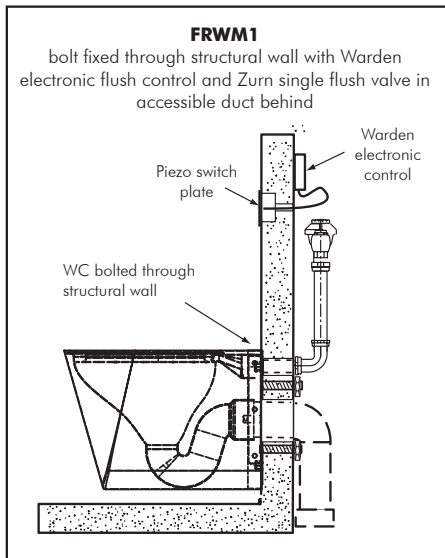
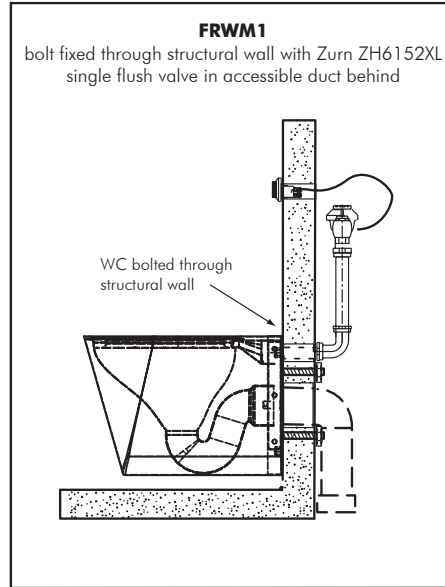
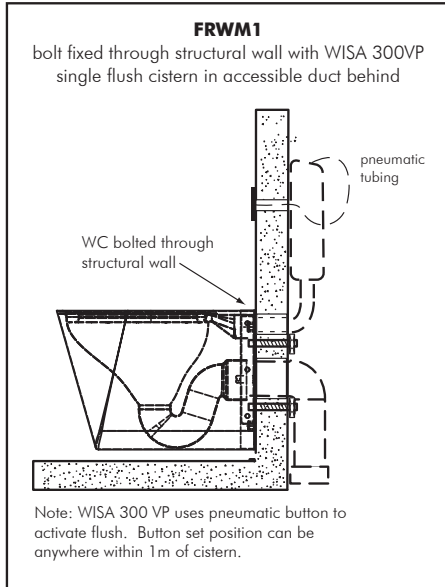
#### Christchurch

32B Hayton Road  
 Wigram, Christchurch  
 03 348 2356  
[christchurch@macdonaldindustries.co.nz](mailto:christchurch@macdonaldindustries.co.nz)

#### Wellington

04 569 8033

**FRWM1 - WITH ACCESSIBLE DUCT**



**FRWM1 INSTALLATION GUIDES**

**Notes:**

- These drawings are provided as possible ways of installing FRWM1 WCs and they should not be regarded as final or dimensionally accurate. For details on flushing options shown, refer to each products Technical Data Sheet
- Should a seat be required, all flush mechanisms should be installed in such a position that they avoid the seat lid
- FRWM1 can only be installed where the face wall is structurally capable of supporting a load of not less than 250kgs. Timber framed walls should use the FRWM1 and an inwall support frame