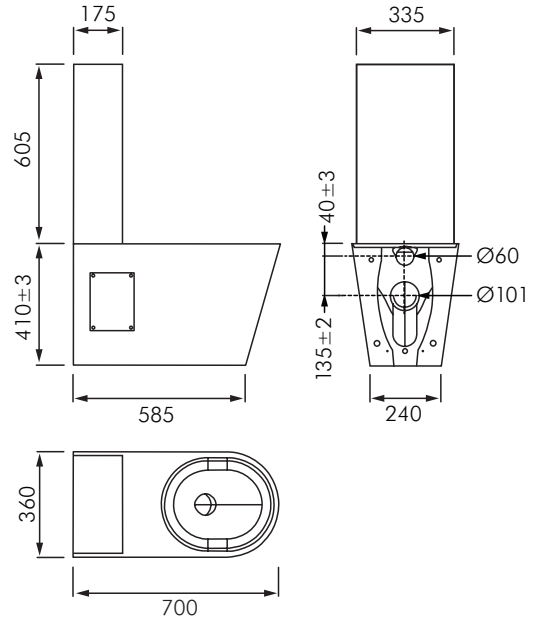


FRFM4-300VP

STAINLESS STEEL WC SUITE



DESCRIPTION

The Franke FRFM4-300VP is a standard height stainless steel back to wall/ floor mounted toilet suite. It is suitable when vandal resistant products are required.

The cistern tank provided is WISA 300VP, which is surface mounted, behind a robust stainless steel cover. The pneumatic actuator is fitted on this. This is only available in a single 6L flush version.

INSTALLATION

The WC is screw fixed to wall and/or floor. The cistern's cover is mounted on the wall behind the WC according to instructions supplied.

The cistern inlet isolator is mounted behind the WC for security. Access to the isolator is via access panels located on either side of the WC.

Waste connection can be either S or P trap to suit the project design. Waste connections by others.

MODELS

FRFM4-300VP - WC & cistern.

OPTIONS:

FRSP - Grey plastic seat pads.

FRSW - White seat and lid.

FRSB - Black seat and lid.

Also available 450mm high to suit disabled applications - refer FRFM5-300VP.



Auckland (Head Office)

20 Carr Rd, Three Kings
Auckland 1042
09 624 1115
sales@macdonaldindustries.co.nz
macdonaldindustries.co.nz

Christchurch

32B Hayton Road
Wigram, Christchurch
03 348 2356
christchurch@macdonaldindustries.co.nz

Wellington

04 569 8033