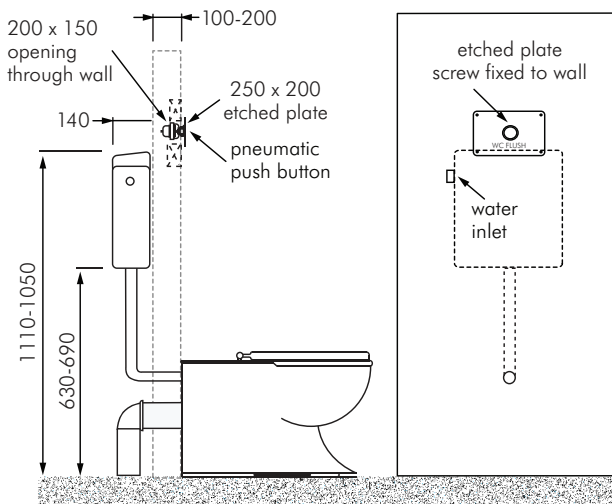


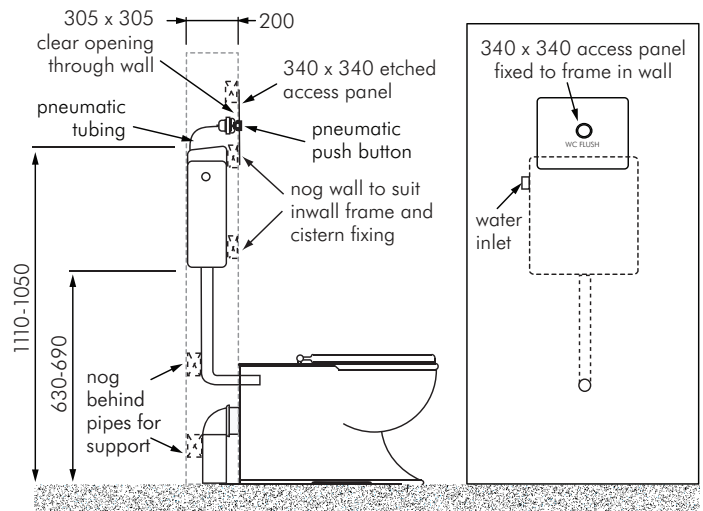


WS300VP & WS300VPAP INWALL CISTERNS

WS300VP



WS300VPAP



DESCRIPTION

The Wisa WS300VP Inwall Cistern is ideal for use in public places where reliability is important and where mains pressure flush valves are not practical due to insufficient pipe sizing.

The cistern is supplied with a robust stainless steel push button assembly which is screw fixed to the wall, a pneumatic actuator and pneumatic tubing allowing flexibility of button mounting point.

The inwall cistern is supplied as standard in a 6L capacity and is only available as a single full flush.

Full duct access must be available to the WS300VP for servicing purposes.

INSTALLATION

The Wisa WS300VP Inwall Cistern is designed to be fitted in a duct directly behind the WC. Wall thickness up to 200mm can be accommodated.

It is suitable for use with any floor mounted WC but to preserve the vandal resistant nature of the design a back to wall WC should ideally be used. Mounting height should be determined to suit the height requirements

of the pan. Dimensions shown on drawing are to suit a standard WC height.

The cistern should be secured to the inside of the duct wall. Where timber framed walls are used some noggling of wall may be necessary to offer the correct support.

The face panel is screwed to the face wall and similarly, the wall should be noggled to suit a position that allows clearance of the seat lid. (approx 1100mm FFL)

Alternatively the cistern can be inwall mounted and supplied with a 340 x 340 access panel WS300VPAP if no duct access is available. Minimum cavity size is essential, refer to drawing above.

MODELS

- WS300VP** - Standard cistern with flush button assembly.
- WS300VP-ACC** - As above but with raised button for accessible use.
- WS300VPAP** - Standard cistern and flush button c/w 340 x 340 access panel.
- WS300VPAP-ACC** - Standard cistern with raised flush button c/w 340 x 340 access panel.



Auckland (Head Office)
 20 Carr Rd, Three Kings
 Auckland 1041
 P: 09 624 1115
 F: 09 624 1110
 E: sales@macdonaldindustries.co.nz

Wellington
 P: 04 569 8033
 F: 04 569 8066

Christchurch
 P: 03 348 2356
 F: 03 348 2376