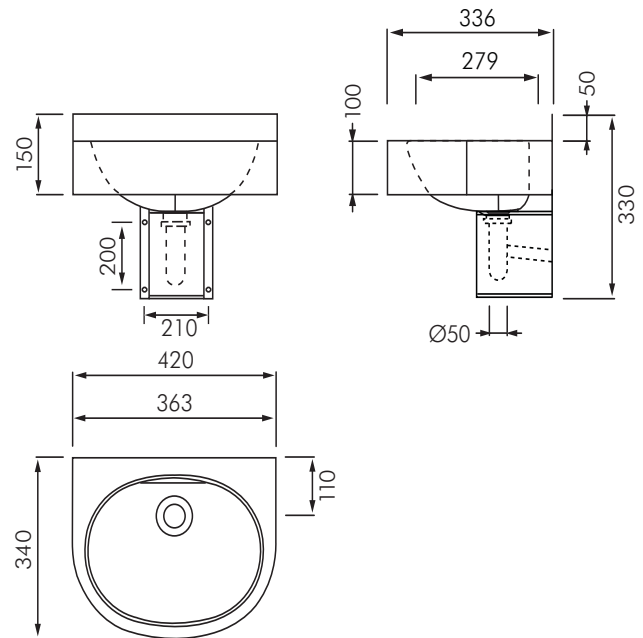


FR-OVALA-ACC ACCESSIBLE WASH HAND BASIN



DESCRIPTION

FRANKE FR-OVALA-ACC wash hand basin is a satin finish Type 304 stainless steel basin suitable for use in vandal prone areas such as public toilets and schools. This basin is supplied with a stainless steel trap cover which gives protection for the user from exposed pipework beneath the basin.

The OVALA-ACC basin is wall mounted with fixing through the rear of the basin using coach screws or similar to suit the wall structure. The trap cover is similarly fixed but the installer should ensure the trap cover is mounted hard up to the underside of the basin so as to offer additional support.

MODELS

FR-OVALA-ACC - Standard basin as shown.

