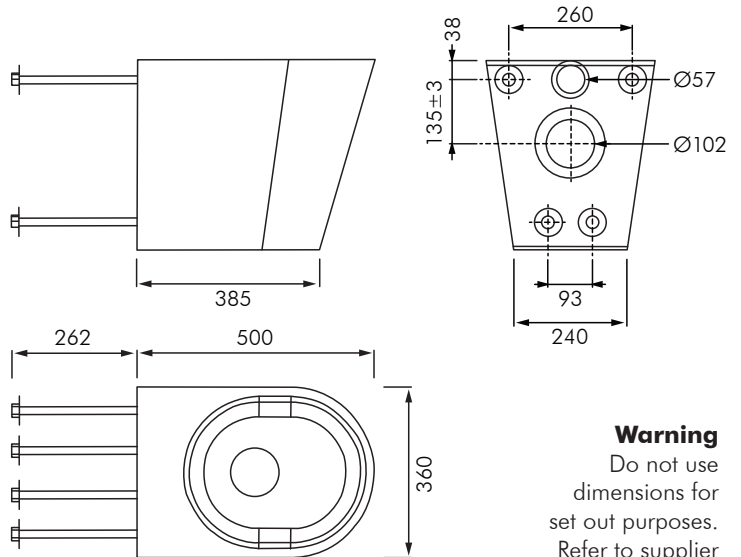


FRFM1

STAINLESS STEEL FLOOR MOUNTED TOILET PAN - THROUGH WALL BOLTED



Warning
 Do not use dimensions for set out purposes. Refer to supplier

DESCRIPTION

Franke floor mounted back to wall stainless steel WCs are built for installation in areas where vandalism is likely to cause damage to ceramic WCs. Fabricated in 1.6mm Type 304 stainless steel with a satin finish, these are available with or without seats or alternatively with seat pads fitted.

All Franke WC's are designed to flush with 6L of water. They are 3 Star WELS rated when installed with a similarly rated flushing device.

They are designed for through wall mounting, using 4 x 16mm galvanised steel bolts supplied with each WC. It is most suitable for high security applications where there is an accessible plumbing duct located directly behind the WC.

INSTALLATION

Refer to page 2 for installation options. Where there is no plumbing duct, use the face wall fixed FRFM2.

MODELS

FRFM1 - Back wall, through wall mounted WC

OPTIONS:

- FRSP** - Grey plastic seat pads
- FRSW** - White plastic seat
- FRSB** - Black plastic seat

Auckland (Head Office)

20 Carr Rd, Three Kings
 Auckland 1042
 09 624 1115
sales@macdonaldindustries.co.nz
macdonaldindustries.co.nz

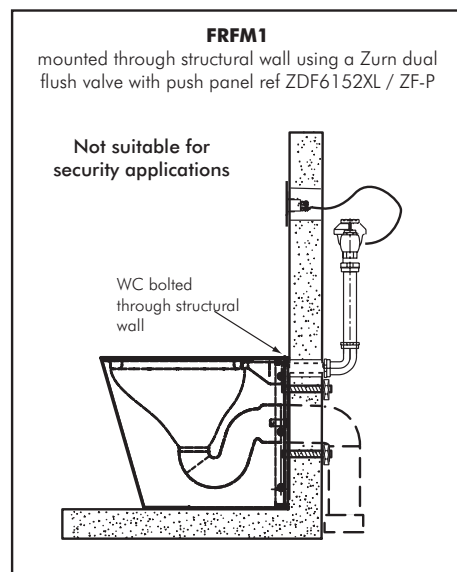
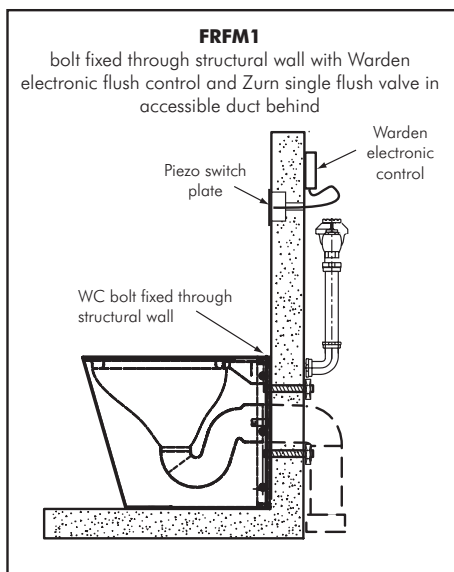
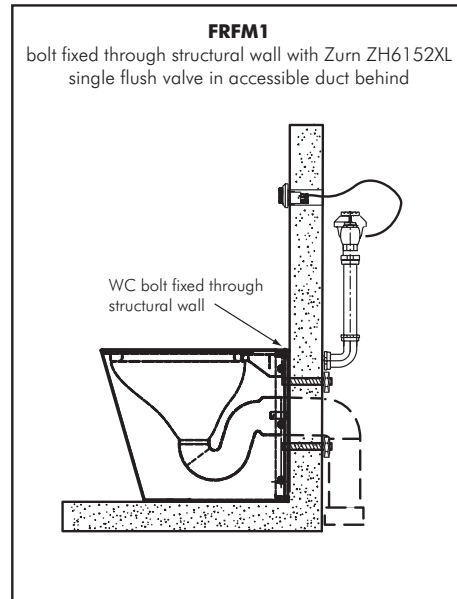
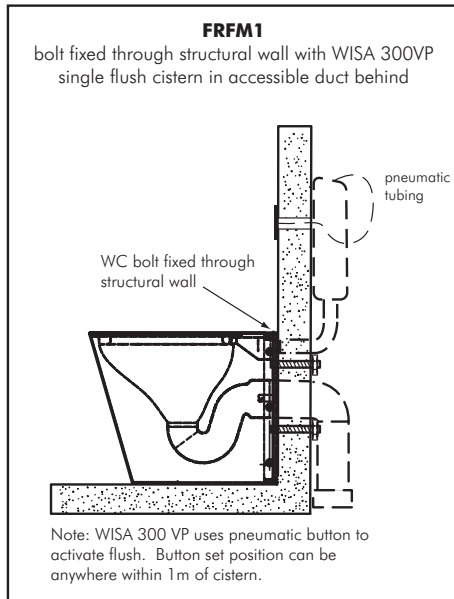
Christchurch

32B Hayton Road
 Wigram, Christchurch
 03 348 2356
christchurch@macdonaldindustries.co.nz

Wellington

04 569 8033

FRFM1 - WITH ACCESSIBLE DUCT



FRFM1 INSTALLATION GUIDES

Notes:

- These drawings are provided as possible ways of installing FRFM1 WCs and they should not be regarded as final or dimensionally accurate. For details on flushing options shown, refer to each products Technical Data Sheet
- Should a seat be required, all flush mechanisms should be installed in such a position that they avoid the seat lid