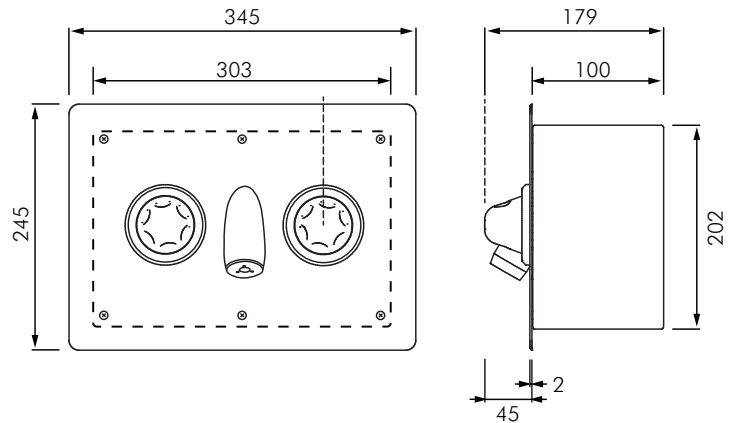


MS-DV042M

MACDONALD SECURITY HOT AND COLD BASIN CONTROL



DESCRIPTION

The MacDonald MS-DV042M is from our range of security fixtures that offer a high level of vandal resistance and have been designed with anti-ligature features to improve the safety and comfort of any secure facility.

The 'lemon squeezer' shaped handle with no flat horizontal surface offers an easy to grip handle while reducing the chance of self-harm.

The hot and cold basin control handles rotate only 90° giving easy operation. The flow rate through the spout is limited to 5L/min.

Also available without spout, where the use of DV-VR01-030 basins with integrated spout is used or as a bath filler (flow rate will then be determined by the outlet / spout used).

Supplied with M1/2" inlets.

Material for the handles is stainless steel giving a bright smooth finish. Supplied with an installation box to provide additional strength and support for the control handles and face plate.

INSTALLATION

- M1/2" connections to water supply.
- Flow rate limited to 5L/min at 300kPa.
- 90° handle rotation for easy operation.
- Temperature range from 15°C - 65°C.
- High security spout 30° angle.
- Spout projection 45mm.
- Stainless steel face plate dimensions: 345 x 245mm.

MODELS

- MS-DV042M** - MacDonald Security hot and cold water basin control with spout including stainless steel face plate and installation box.
- MS-DV030M** - MacDonald Security hot and cold water basin control without spout including stainless steel face plate and installation box.
- MS-DVBAM** - MacDonald Security hot and cold water bath filler control including stainless steel face plate and installation box. Refer separate information on suitable bath spout.