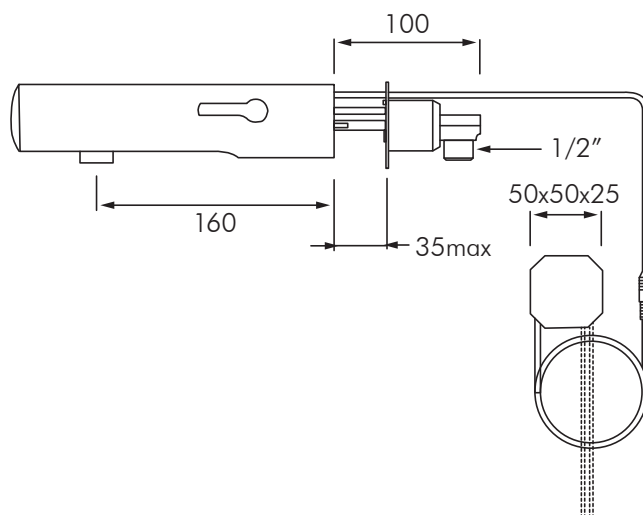


DE49340015 AND OPTIONS

TEMPOMATIC MIX 4 ELECTRONIC MIXER

DELABIE



DESCRIPTION

DELABIE DE49350015 is a wall-mounted electronic basin mixer with recessed water inlets and has 4 installation options; 1) recessed in concrete, 2) timber walls, 3) solid walls, and 4) through-wall installations. The very clever wall connection allows for connection to hot water and cold water pipes easily. Power can be either 230/6V mains power or 6V Lithium battery power (see models). The solenoid valve and tap body has low water stagnation for reduced risk of water-borne bacteria development. Flow rate is factory set at 3L/min @ 300kPa water pressure, can be adjusted from 1.5 – 6L/min. The scale resistant flow straightener also reduces the risk of water-borne bacteria developing at the taps outlet.

Delabie electronic taps come pre-programmed with Duty Flush which flushes the stagnant water for ~60 seconds every 24 hours after last use. Activation is by infrared presence detection of a user's hands with the sensor at the end of the spout that optimises detection.

Finished in chrome plated brass body with end cap fixed in place by 2x concealed screws for removal of sensor (essential for battery powered models). Anti-blockage feature prevents tampering with the sensor. Temperature selector on the side with an adjustable maximum temperature limited as standard. Available in two spout lengths with the outlet L.160mm or L.190mm.

MODELS

- DE49340015** - Delabie Tempomatic Mix 4 wall mounted mixer L.160 for mains power
- DE49350015** - Delabie Tempomatic Mix 4 wall mounted mixer L.190 for mains power
- DE49341015** - Delabie Tempomatic Mix 4 through-wall mounted mixer L.160 for mains power
- DE49351015** - Delabie Tempomatic Mix 4 through-wall mounted mixer L.190 for mains power
- DE49340615** - Delabie Tempomatic Mix 4 wall mounted mixer L.160 for 6V battery power
- DE49350615** - Delabie Tempomatic Mix 4 wall mounted mixer L.190 for 6V battery power
- DE49341615** - Delabie Tempomatic Mix 4 through-wall mounted mixer L.160 for 6V batter power
- DE49351615** - Delabie Tempomatic Mix 4 through-wall mounted mixer L.190 for 6V battery power



Auckland (Head Office)

20 Carr Rd, Three Kings
 Auckland 1042
 P: 09 624 1115
 F: 09 624 1110
 E: sales@macdonaldindustries.co.nz

Wellington

P: 04 569 8033
 F: 04 569 8066

Christchurch

P: 03 348 2356
 F: 03 348 2376