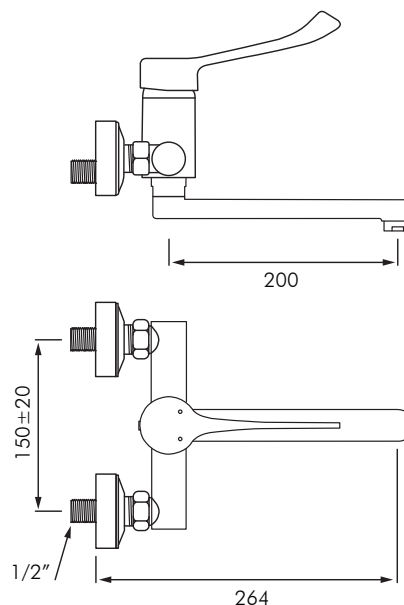


## DE2455 SECURITOUCH WALL MOUNTED BASIN MIXER

# DELABIE



### DESCRIPTION

DELABIE DE2455 Securitouch is a wall-mounted mechanical basin mixer with a flat swivelling under spout L. 200mm with hygienic flow straightener and is suitable for the installation of a BIOFIL terminal filter. Securitouch thermal insulation prevents burns. The 40mm ceramic cartridge is standard with pre-set maximum temperature limiter to limit handle movement. Body and spout with smooth interiors and low water capacity limits bacterial niches.

### FEATURES

- Flow rate regulated at 5 lpm.
- Chrome-plated brass body.
- Hygiene control lever L. 150mm.
- Supplied with STOP/CHECK connectors M1/2" x M3/4"
- Ideal for medical and dental facilities.

### MODELS

- DE2455** - Delabie Securitouch wall mounted basin mixer
- DE2455L** - As above but with long lever L.150mm
- DE2455EP** - Delabie Securitouch wall mounted basin mixer with EP pressure balancing cartridge
- DE2455LEP** - As above but with long lever L.150mm

#### Auckland (Head Office)

20 Carr Rd, Three Kings  
Auckland 1042  
P: 09 624 1115  
F: 09 624 1110  
E: sales@macdonaldindustries.co.nz

#### Wellington

P: 04 569 8033  
F: 04 569 8066

#### Christchurch

P: 03 348 2356  
F: 03 348 2376