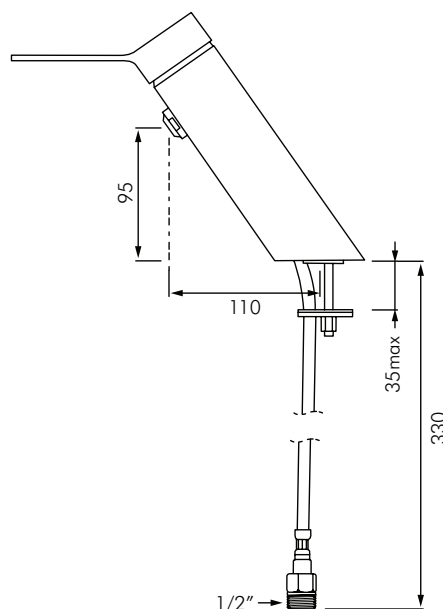


DE2621
BIOSAFE
BASIN MIXER

DELABIE



DESCRIPTION

DELABIE DE2621 BIOSAFE is a mechanical basin mixer with solid control lever. Securitouch thermal insulation prevents burns when touching the tap body. The design of the tap has smooth interior, no traditional spout, has very low water retention and smooth interior to reduce Biofilm. Equalised Pressure (EP) cartridge option also available. EP cartridge delivers nearly constant water temperature despite pressure fluctuations in either the hot or cold water supply lines giving anti-scald protection to the user. Flow rate limited to 5L/min at 300kPa. Operating pressure is 100-500kPa, 300kPa is recommended. Chrome plated solid brass body with hygienic scale-resistant flow straightener integrated into the body and reinforced fixing.

Supplied with PEX flexible connections, M1/2" rotation unions and reinforced fixing.

INSTALLATION

- Deck mounted through Ø34mm hole.
- Reinforced fixation using 2x stainless steel fixing screws and support ring.
- Stainless steel braided PEX flexibles, rotating unions, filters, and M1/2" connections to water supply.
- Ø35mm ceramic cartridge.
- Flow rate pre-set at 5L/min at 300kPa.
- Spout H.95mm, L.110mm.
- Thermal shocks are possible with this mixer tap.

MODELS

- DE2621** - Standard model 5L/min - 6 star WELS rating.
- DE2621EP** - Same as DE2621 but with EP cartridge.