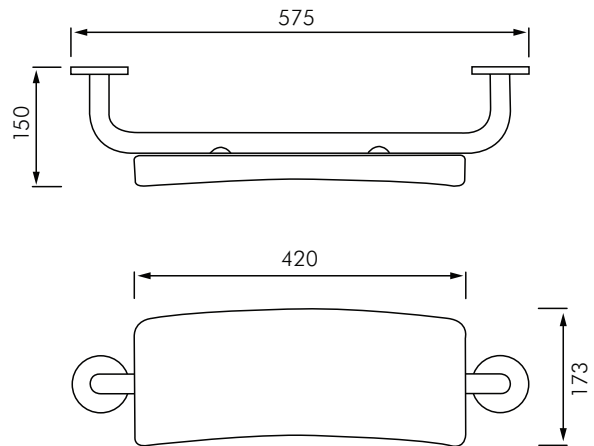


DE510629

DELABIE TOILET PAN BACK REST

DELABIE



DESCRIPTION

Delabie DE510629 is a commercial grade, accessible access requirement compliant backrest. It provides the necessary back support for disabled persons using a toilet pan. With a polished stainless steel bar and padded support, it allows the user to comfortably use a accessible length toilet pan.

NOTE: Only suitable for use with RAK back to wall and wall hung disabled WCs. Ref RA-CO1144 and 1145, or RA-CO1344 or 1345

RAK CO-1245S/P disabled back to wall suite or Franke FRFM5 back to wall and FRWM3 wall hung WCs should use BE-BT35 backrests.

MODELS

DE510629 - Standard model as shown.

Auckland (Head Office)

20 Carr Rd, Three Kings
Auckland 1041
P: 09 624 1115
F: 09 624 1110
E: sales@macdonaldindustries.co.nz

Wellington

P: 04 569 8033
F: 04 569 8066

Christchurch

P: 03 348 2356
F: 03 348 2376