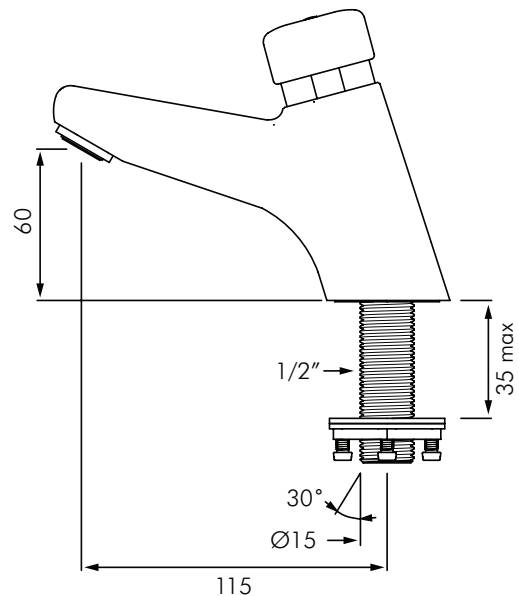


DE702351
TEMPOSTOP 2
TIME FLOW BASIN TAP

DELABIE



DESCRIPTION

DELABIE DE702351 is a deck mounted time flow basin tap with anti-blocking (AB) system. AB system allows water to flow only when the push button is released, preventing water wastage and flooding. Time flow is ~7 seconds. Flow rate is pre-set at 3L/min at 300kPa, can be adjusted from 1.5 to 6L/min. Operating pressure is 100-500kPa, 300kPa is recommended. Chrome-plated solid brass body with tamperproof scale-resistant flow straightener and M1/2" reinforced fixing.

Supplied with red and blue indicators.

We recommend installing a thermostatic mixing valve (see Water Tempering section).

INSTALLATION

- Deck mounted through Ø22mm hole.
- M1/2" water supply connection.
- Reinforced fixing by tightening the 3 stainless screws on the brass back-nut.
- For cold or tempered single water supply.
- Maximum Hot water temperature 55°C, recommended tempered supply of ~40°C.
- Flow rate pre-set at 3L/min at 300kPa, can be adjusted from 1.5 to 6L/min by using a 2.5mm Allen key directly on the flow straightener.

MODELS

- DE702351** - Standard model 3L/min - 6 star WELS rating.
- DE-SPACER** - Bush used on basins with Ø34mm hole to centre tap in place.



**MACDONALD
INDUSTRIES LIMITED**

Auckland (Head Office)

20 Carr Rd, Three Kings
Auckland 1041

P: 09 624 1115

F: 09 624 1110

E: sales@macdonaldindustries.co.nz

Wellington

P: 04 569 8033

F: 04 569 8066

Christchurch

P: 03 348 2356

F: 03 348 2376

www.macdonaldindustries.co.nz