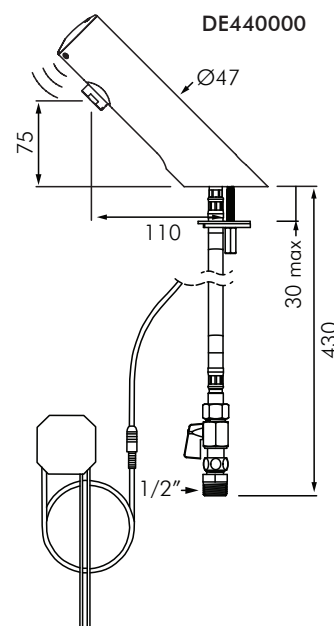
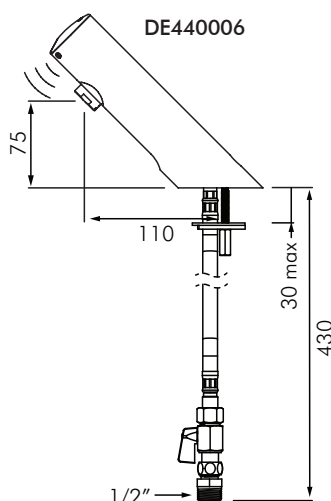


**DE440006**  
 TEMPOMATIC 4  
 ELECTRONIC BASIN TAP

**DELABIE**



**DESCRIPTION**

DELABIE DE440006 is a deck mounted electronic basin tap with a reduced stagnation solenoid valve and electronic unit. Supplied standard as 6V battery powered with 6V Lithium battery integrated into the body of the tap, or alternatively is available as 230/12V mains power supply. Anti-bacterial duty flush operates for ~60 seconds every 24 hours after last use. Flow rate is pre-set at 3L/min at 300kPa, can be adjusted from 1.5 to 6L/min. Operating pressure is 100-500kPa, 300kPa is recommended. Chrome-plated solid brass body with hygienic scale-resistant flow straightener and reinforced fixing.

Supplied with PEX flexible connector, filter and M1/2" stopcock.

We recommend installing a thermostatic mixing valve (see Water Tempering section).

**INSTALLATION**

- Deck mounted through Ø34mm hole.
- Reinforced fixation using 2x stainless steel fixing screws and support ring.
- 400mm PEX flexible connects to 1/2" water supply.
- Maximum Hot water temperature 55°C.
- Flow rate pre-set at 3L/min at 300kPa, can be adjusted from 1.5 to 6L/min by using a 2.5mm Allen key directly on the flow straightener.
- Ensure basin waste position does not conflict with position of the sensor.
- Low battery life will cause LED to blink for 15 days.
- Battery is replaced from within the electronic unit, access via removal of 2x 2.5mm Allen ket screws.
- Check compatability of basin with this tap. The elongated base may conflict with any basin that has a raised lip at the back.

**MODELS**

- DE440006 - Standard model 3L/min - 6 star WELS rating.
- DE440000 - Same as above but for mains power.