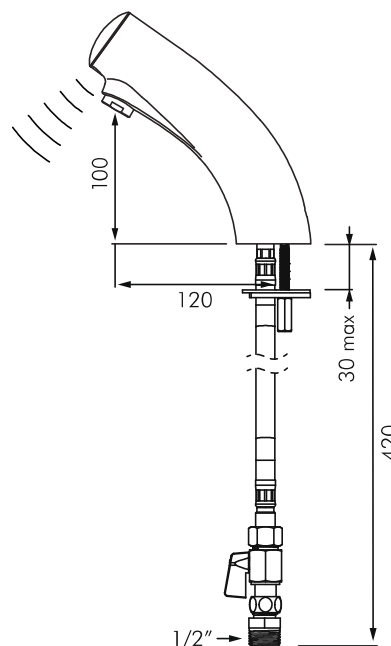


DE442006
TEMPOMATIC 3
ELECTRONIC BASIN TAP

DELABIE



DESCRIPTION

DELABIE DE442006 is a deck mounted battery powered electronic basin tap with a reduced stagnation solenoid valve and electronic unit with 6V Lithium battery integrated into the body of the tap. Anti-bacterial duty flush operates for ~60 seconds every 24 hours after last use. Flow rate is pre-set at 3L/min at 300kPa, can be adjusted from 1.5 to 6L/min. Operating pressure is 100-500kPa, 300kPa is recommended. Chrome-plated solid brass body with hygienic scale-resistant flow straightener and reinforced fixing.

Supplied with PEX flexible connector, filter and M1/2" stopcock.

We recommend installing a thermostatic mixing valve (see Water Tempering section).

INSTALLATION

- Deck mounted through Ø34mm hole.
- Reinforced fixation using 2x stainless steel fixing screws and support ring.
- 420mm PEX flexible connects to 1/2" water supply.
- Maximum Hot water temperature 55°C.
- Flow rate pre-set at 3L/min at 300kPa, can be adjusted from 1.5 to 6L/min by using a 2.5mm Allen key directly on the flow straightener.
- Ensure basin waste position does not conflict with position of the sensor.
- Low battery life will cause LED to blink for 15 days.
- Battery is replaced from within the electronic unit, access via removal of 2x 2.5mm Allen ket screws.

MODELS

DE442006 - Standard model 3L/min - 6 star WELS rating.