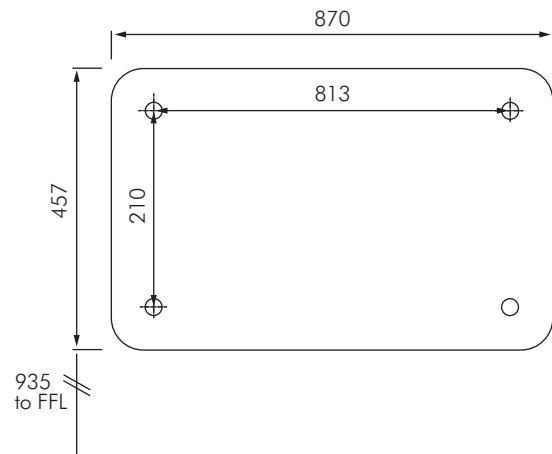


## BR100-EH

# POLYETHYLENE HORIZONTAL BABY CHANGING TABLE



### DESCRIPTION

The BR100-EH MacDonal baby changing stations are made from durable, easy to clean, high density polyethylene which is inherently bacterial resistant. Clean design fits virtually all decors and is excellent for cost conscious customers. All models include built-in liner dispensers, all necessary mounting hardware, safety strap and buckle.

This product is intended for children up to a maximum weight of 22.7kg (50lbs.)

### PRODUCT FEATURES

- Easy to clean, high density polyethylene which is naturally bacteria resistant.
- Standard with molded-in dual liner dispensers.
- Each liner holds approximately 50 of the BR036-LCR liners.
- Safety straps with cam-buckle is adjustable with one hand for added security.
- Convenient bag hooks on both sides.
- Compact, slim profile. Only protrudes 102mm from the wall.
- Pneumatic gas shock mechanism to ensure smooth, safe open and close motions.
- Steel-to-steel support hinges.
- Includes easy to install, step by step instructions plus all mounting hardware.

### MODELS

BR100-EH - Standard model as shown.



**MACDONALD  
INDUSTRIES LIMITED**

#### Auckland (Head Office)

20 Carr Rd, Three Kings

Auckland 1041

P: 09 624 1115

F: 09 624 1110

E: sales@macdonaldindustries.co.nz

#### Wellington

P: 04 569 8033

F: 04 569 8066

#### Christchurch

P: 03 348 2356

F: 03 348 2376

[www.macdonaldindustries.co.nz](http://www.macdonaldindustries.co.nz)