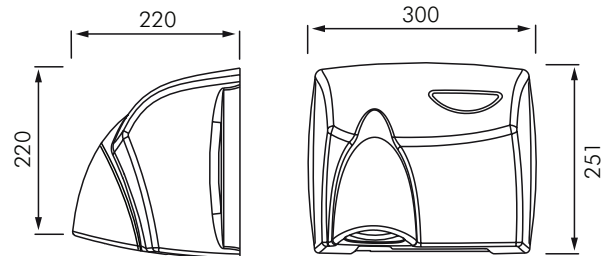
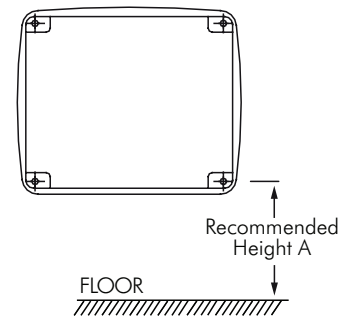


MDHD
 AUTOBEAM HOT AIR HAND DRYER



	A
Men's	1200mm
Women's	1150mm
Children's	1110mm
Disabled	1000mm
Disabled Children's	650mm



DESCRIPTION

The MacDonald Autobeam hot air hand dryer is a high quality robust fully automatic dryer, suitable for commercial applications requiring fast drying times where strength and durability are important.

It has a cast aluminium case for strength and high air flow ensure minimum drying times.

INSTALLATION

Fixed to wall as per dimensions (right) to suit the washroom type.

SPECIFICATIONS

Motor: 230V AC 10A

Element: 2.4kW with thermal cut out protection

Air velocity: 18m/sec

Noise Level: 75dBA

Electrical Safety: AS/NZS60335.2.23:2004

Finish: white body, satin grey nozzle

MODELS

MDHD - Standard model as shown.