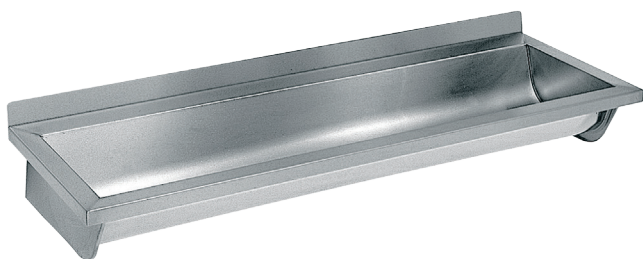
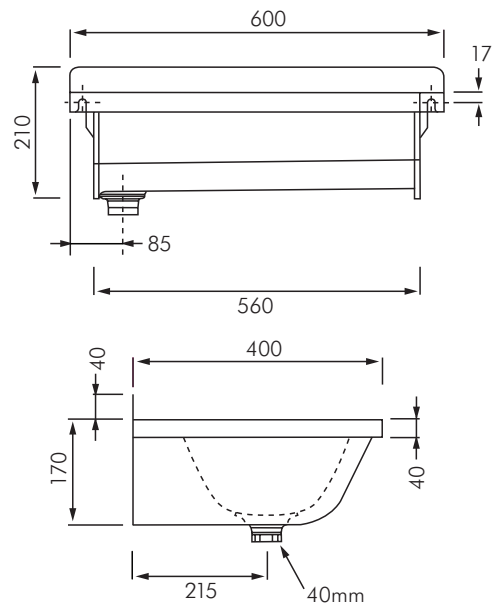


# FR-ECN... STAINLESS STEEL WASH TROUGH WITH TAP LEDGE



FR-ECNL



## DESCRIPTION

Franke high quality wash troughs are ideally suited for installation in industrial workshops, sports facilities, school bathrooms and early childhood education facilities. They are made from Type 304, 0.8mm stainless steel with surface satin finish. They are available with or without a 266mm high backsplash. Available in 600, 1200, 1800mm lengths with L or R hand waste outlets. 2400 and 3000mm lengths available on special indent.

## INSTALLATION

Ideal for use with manual or electronic wall mounted taps, however the 70mm ledge allows for Delabie deck mounted time flow taps to be used also (refer to other information on taps). Wall mounted taps must have a nominal spout length of 150mm.

Franke wash troughs are wall mounted using integrated brackets, including stainless steel screws and dowels. 40mm domed grid waste supplied- specify left or right hand.

Can be supplied with optional stainless steel backslash to be glue fixed to wall above trough.

For lengths over 1800 mm, it is recommended that an additional support bracket (FR-SU40) is used

## MODELS

- FR-ECN6L(R) - Length 600mm with left-hand waste (as shown)
- FR-ECC6 - Backsplash for protecting wall behind 600mm wash trough
- FR-ECN12L(R) - Length 1200mm with left-hand waste
- FR-ECC12 - Backsplash for protecting wall behind 1200mm wash trough
- FR-ECN18L(R) - Length 1800mm with left-hand waste
- FR-ECC18 - Backsplash for protecting wall behind 1800mm wash trough