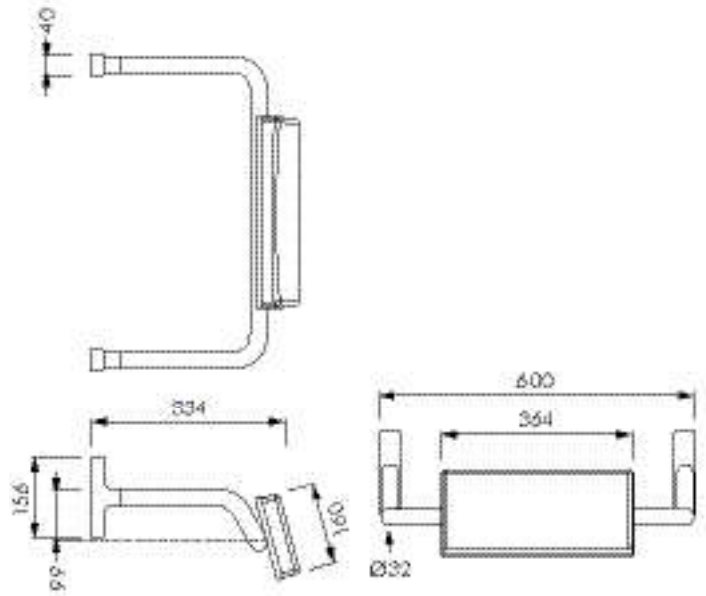


BE-BT36

MACDONALD REST-EZY BACK REST 750



DESCRIPTION

The MacDonald Rest-Ezy Back Rests are ergonomically designed for strength and easy installation. The BE-BT36 is for installation over a toilet that has a length of 750mm in accordance with NZS4121. These are commercial grade back rests that comply with the accessible bathroom requirements providing the necessary back support for disabled persons when using the toilet. With a polished stainless steel bar and white polyurethane padded support the BE-BT36 backrest allows the user to comfortably use a disabled length toilet pan when installed to the manufacturers instructions.

Suitable for our NZS4121 toilet suites models RA-BE1531 and RA-CO1244/1245, see separate literature.

PRODUCT ADVANTAGES

- For toilets with depth of 750mm from wall.
- Comfortable padded back support.
- Low maintenance.
- Heavy duty large flanges for extra stability and strength.
- Dimensions: 156x600mm.

MODELS

BE-BT36 - Back rest with white polyurethane pad for 750mm toilets.