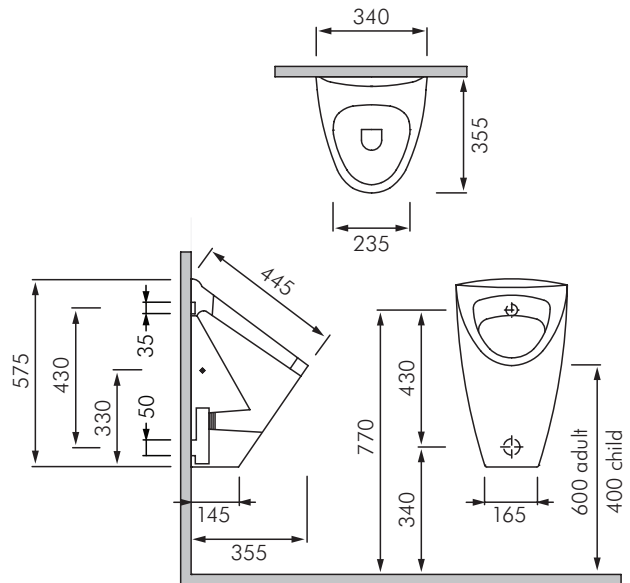


RA-VE3200 VENICE WALL HUNG URINAL

RAK
CERAMICS



DESCRIPTION

The Venice urinal has unique and exotic design characteristics. The overall appearance and broad dimensions make Venice a luxury, bold statement.

The Venice urinal has a rear inlet and has a rear outlet for concealed trap.

Care should be taken to ensure correct flushing volumes are maintained to ensure complete hygiene and complete rinsing of waste pipes.

Colour: Alpine white only.

Inlet connection: 1/2" BSP inlet connection included.

Waste outlet: Waste trap included. Plumber to install Ø50 waste (socket end to urinal) pipe in wall

Water pressure range: 100-500kPa.

Fixings: FS37UK wall fixing kit included.

Dimensions: All dimensions in mm. Tolerance $\pm 5\%$ for below 200mm and $\pm 3\%$ above 200mm.

Refer to separate literature on Delabie and RAK recess mounted flushing systems.

MODEL

RA-VE3200 - RAK Venice wall hung urinal complete with fixings.