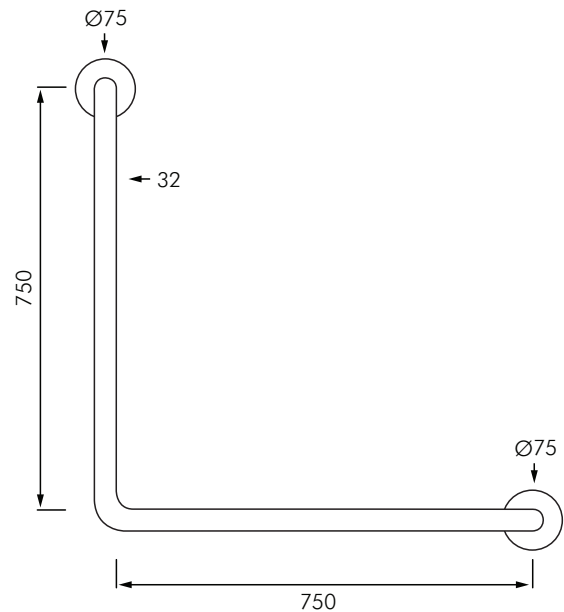


BE-AL5/90B

MACDONALD ANTI-LIGATURE 90° GRAB RAIL 750x750mm Ø32mm



DESCRIPTION

The MacDonald BE-AL5/90B is a 750x750mm anti-ligature toilet assist grab rail fully welded in grade 304 stainless steel, Ø32mm tubing, with box section allowing unobstructed 270° grip surface as required by AS1428, and knurled slip resistant finish.

The BE-AL5/90B is suited for use in the toilet or shower for an accessible bathroom where the danger of self harm exists in buildings such as mental health facilities and correctional facilities. The 90° bend provides a horizontal and vertical grab rail option for accessible toilets and showers. It's easy to install on most building surfaces and has been designed for maximum strength.

PRODUCT ADVANTAGES

- Secure wall connection.
- Low maintenance.
- Heavy duty large flange for extra stability and strength.
- Box section safety with clear passage for the top 270°.
- Dimensions: Ø32mm, 750x750mm.

MODELS

BE-AL5/90B - 750x750mm Ø32mm grab rail with anti-ligature box section and secure wall connection.

Auckland (Head Office)

20 Carr Rd, Three Kings
Auckland 1042
P: 09 624 1115
F: 09 624 1110
E: sales@macdonaldindustries.co.nz

Wellington

P: 04 569 8033
F: 04 569 8066

Christchurch

P: 03 348 2356
F: 03 348 2376