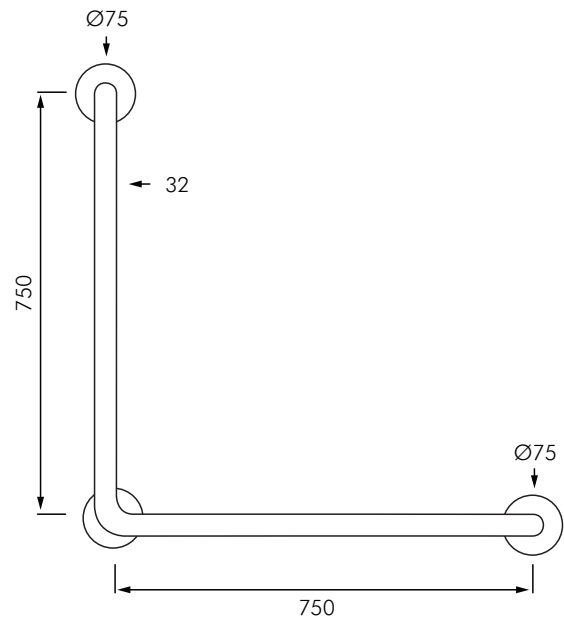


BE-BT5/90

MACDONALD CLEANSEAL® 90° GRAB RAIL 750x750mm Ø32mm



DESCRIPTION

The MacDonald BE-BT5/90 is a 750x750mm toilet assist grab rail, fully welded in grade 304 stainless steel, Ø32mm tubing, with knurled slip resistant finish and CleanSeal® flange and cover. The BE-BT5/90 is suited for use in the toilet or in the shower for an accessible, aged care, and home assist bathroom. The 90° bend provides a horizontal and vertical grab rail option for accessible toilets and showers. It's easy to install on most building surfaces and has been designed for maximum strength. Complies to NZS4121.

CleanSeal® is an innovative flange and cover system engineered to provide full structural strength, with simple fixing method and hygienically mounted installation. This provides for easily cleaned crevice-free conditions that inhibit bacterial build-up caused by soap scum, body fluid and mould spores.

PRODUCT ADVANTAGES

- Complies to NZS4121.
- Hygienic CleanSeal® flange and cover.
- Quick and easy installation.
- Low maintenance.
- Heavy duty large 75mm flange for extra stability and strength.
- Stainless steel cover.
- Silicone seals for wall connections.
- Dimensions: Ø32mm, 750x750mm.

MODELS

BE-BT5/90 - 750x750mm Ø32mm grab rail with CleanSeal® flange and cover.

