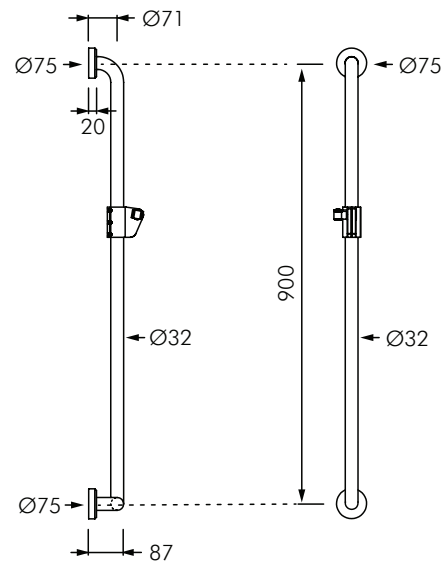


## BE-SK3

# MACDONALD CLEANSEAL SHOWER SYSTEM 900MM EASYSLIDE



### DESCRIPTION

The MacDonal BE-SK3 is a 900mm slide shower system with grab rail, fully welded in grade 304 stainless steel, Ø32mm tubing, with Cleanseal® flange and cover, and Easyslide® handset cradle. The BE-SK3 is suited for use in the shower for an accessible, hospital, aged care, and home assist bathroom. It's easy to install on most building surfaces and has been designed for maximum strength. Complies to NZS4121.

Cleanseal® is an innovative flange and cover system engineered to provide full structural strength, with simple fixing method and hygienically mounted installation. This provides for easily cleaned crevice-free conditions that inhibit bacterial build-up caused by soap scum, body fluid and mould spours.

Easyslide® is a unique handset cradle designed to provide smooth shower positioning and with an encapsulated bush is self cleaning, and keyed to prevent unwanted axial rotation. Optional extended slide handle (ESH) available for seated users.

### PRODUCT ADVANTAGES

- Anti-rotation keyed vertical rail.
- Adjustable slide tension on handle cradle.
- Self cleaning slide rail with no obstruction.
- Optional extended slide handle (ESH) for seat users.
- Low maintenance.
- Heavy duty large 75mm flange for extra stability and strength.
- Silicone seals for wall connections.
- Chrome plated hand shower kit includes wall connector elbow, 1500mm hose, and 9L/min shower head.
- Dimensions: Ø32mm, 900mm.

### MODELS

- SK3** - 900mm shower system - 3 star WELS rating.
- SK3/ESH** - 900mm shower system with extended slide handle for seated users (as shown) - 3 star WELS rating.

