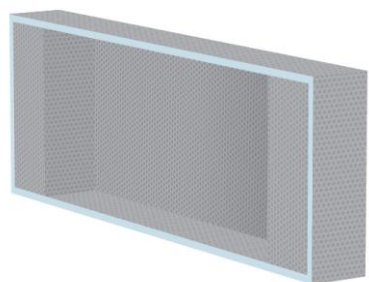


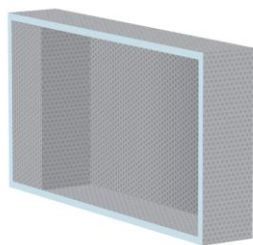
PRE-FABRICATED SHOWER NICHE (*flat packed*) - Installation instructions



MNVP 930330

930 x 330mm

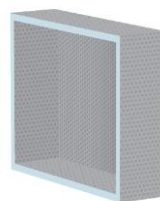
External dimensions
955 x 355mm



MNVP 630330

630 x 330mm

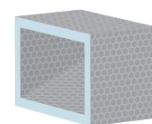
External dimensions
655 x 355mm



MNVP 330330

330 x 330mm

External dimensions
355 x 355mm



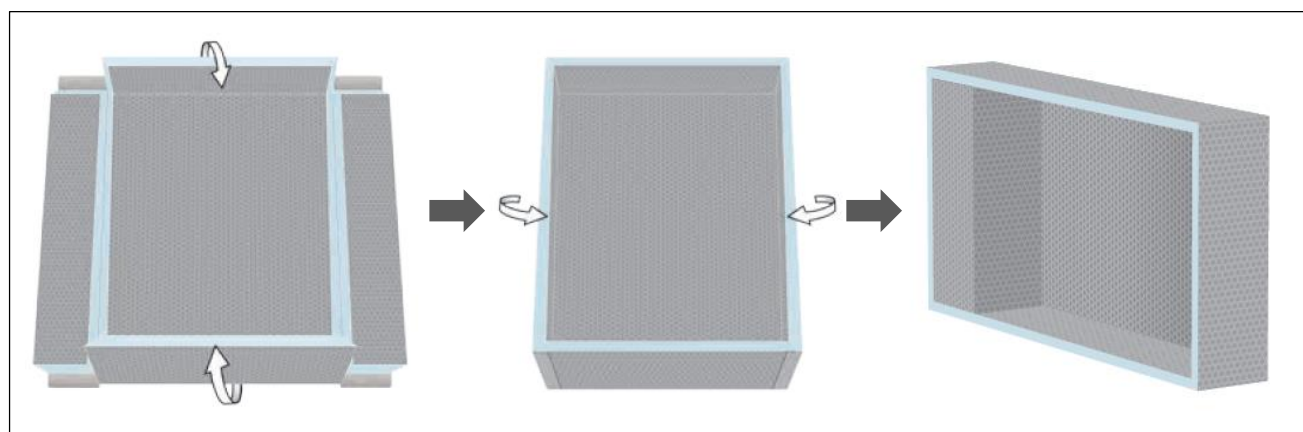
FOOTREST

180 x 120mm

External dimensions
205 x 145mm

Installation instructions

1. Fold the niche/footrest and glue together with a Neutral Cure Silicone (**non-solvent based**) prior to installation.
2. Insert the packers (if required) to reduce the width of the niche.
3. Insert the niche into the wall cavity.
4. The niche surface should be clean and free of dust.
5. Apply waterproofing – it is now ready for tiling.

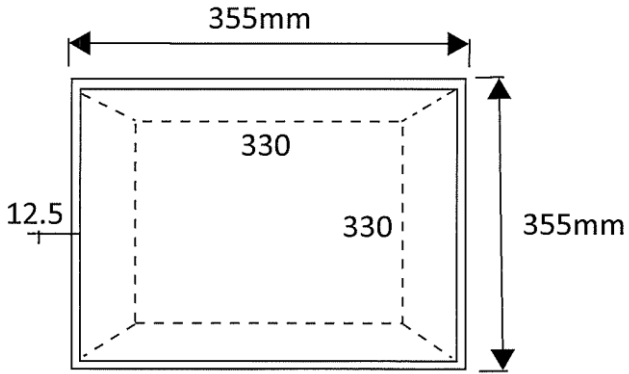


WARNING! Do not use solvent based adhesives to assemble this product.

Drawings

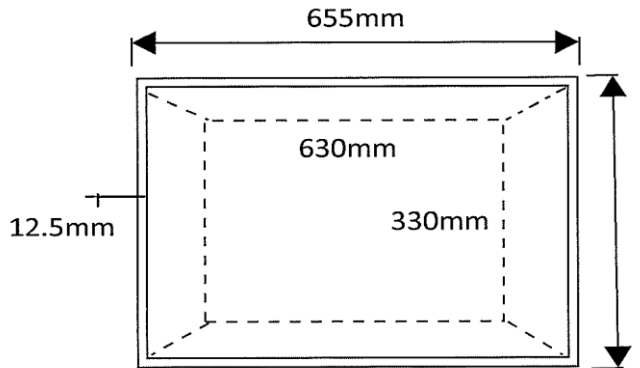
MNVP 330330

330 x 330mm



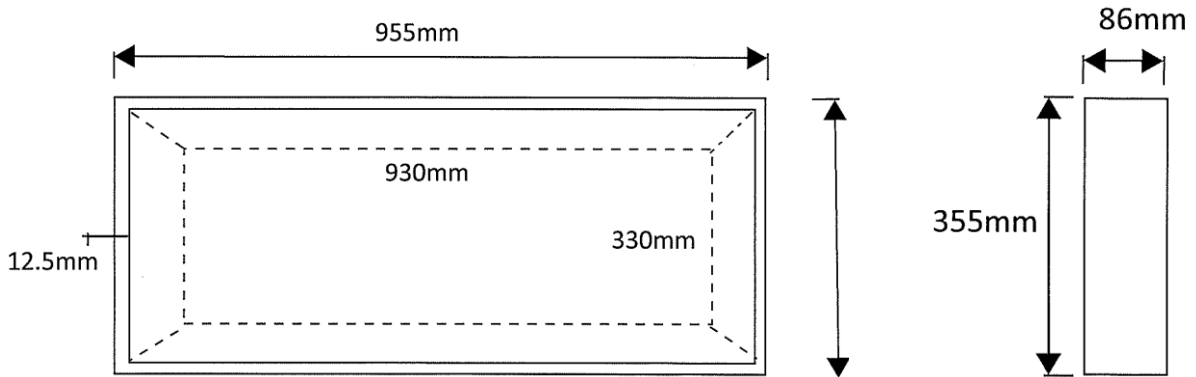
MNVP 630330

630 x 330mm



MNVP 930330

930 x 330mm



FOOTREST

180 x 120mm

