

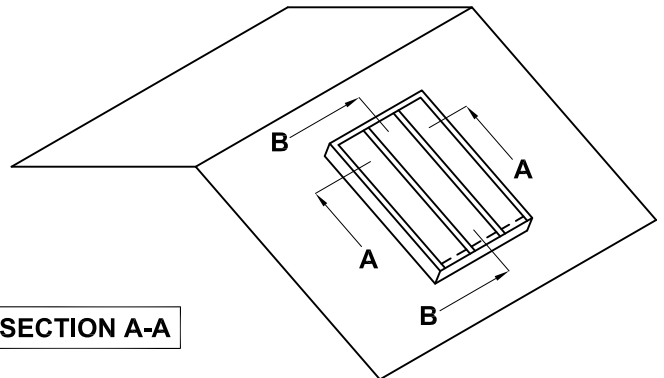


**GLAZING BARS
FIXED SKYLIGHT, SMALL FIN RAFTER
CROSS SECTION**

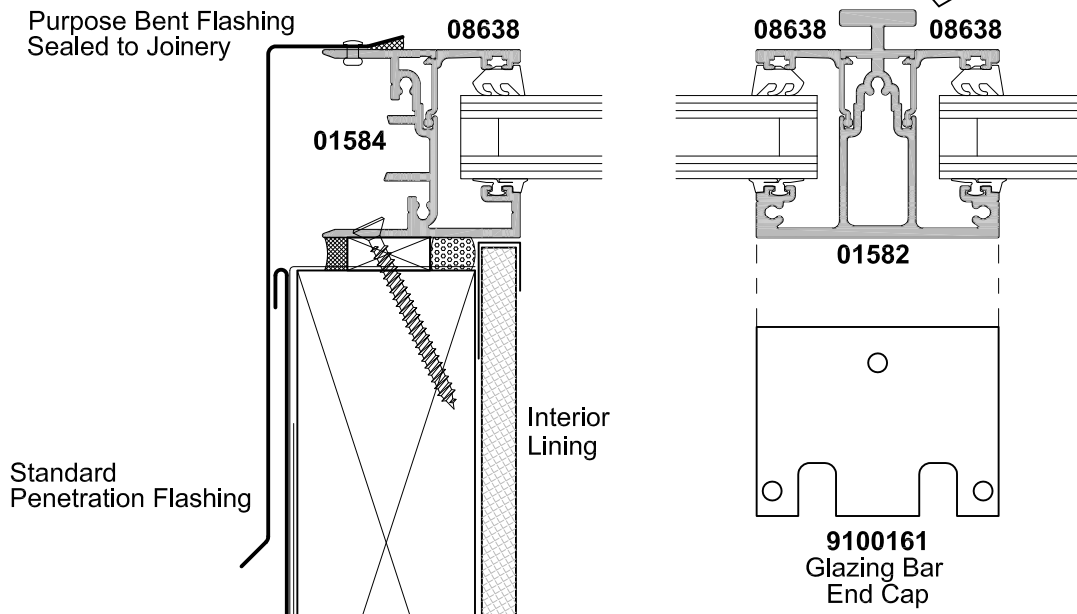
CAD REF. VCOG01-0

DATE
01.06.11

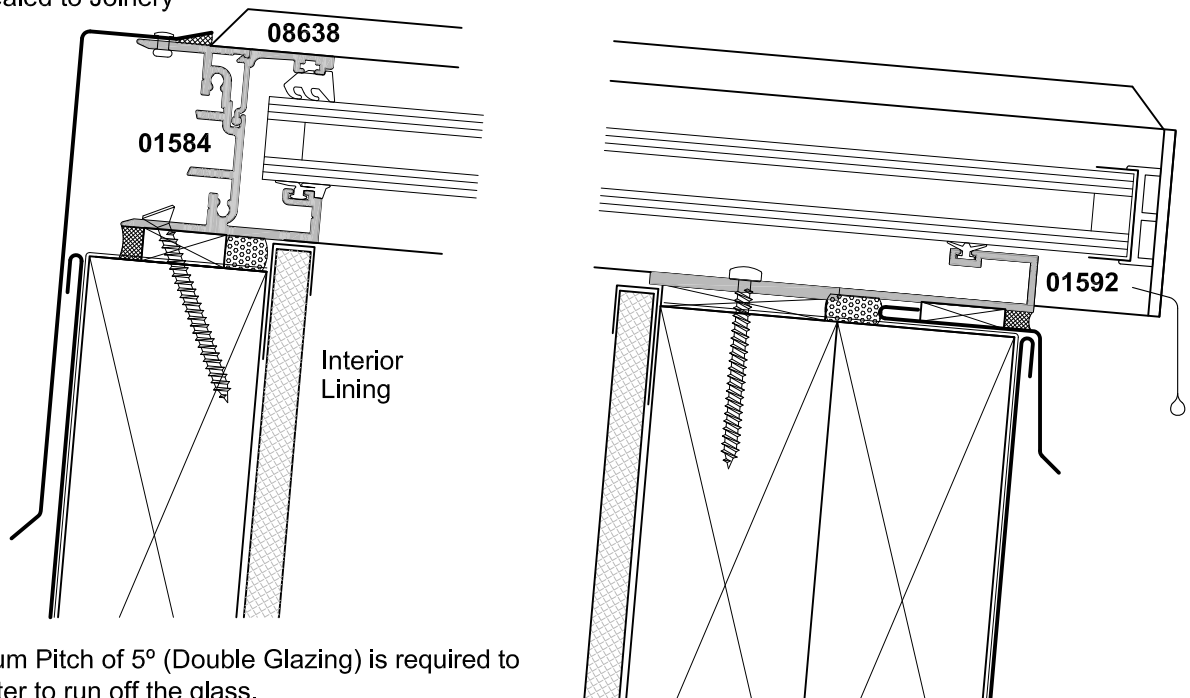
SCALE
1:2



SECTION A-A



SECTION B-B



Note:
A Minimum Pitch of 5° (Double Glazing) is required to allow water to run off the glass.



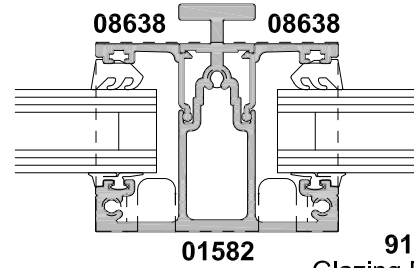
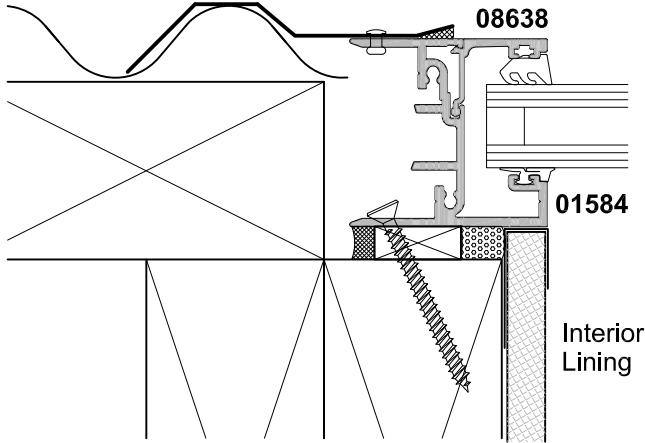
GLAZING BARS
FIXED SKYLIGHT, SMALL FIN RAFTER
CROSS SECTION

CAD REF. VCOG02-0

DATE
01.06.11

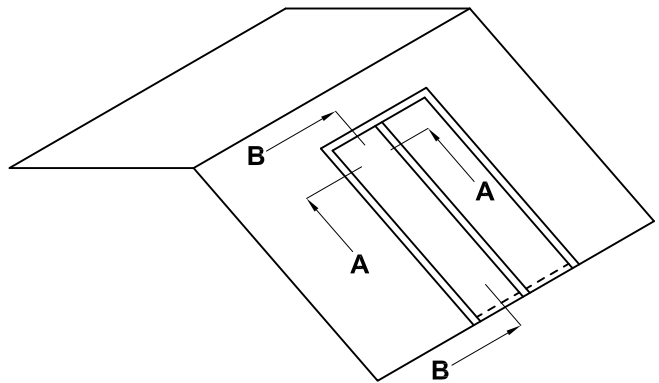
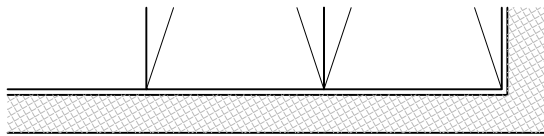
SCALE
1:2

Purpose Bent Flashing
Sealed to Joinery

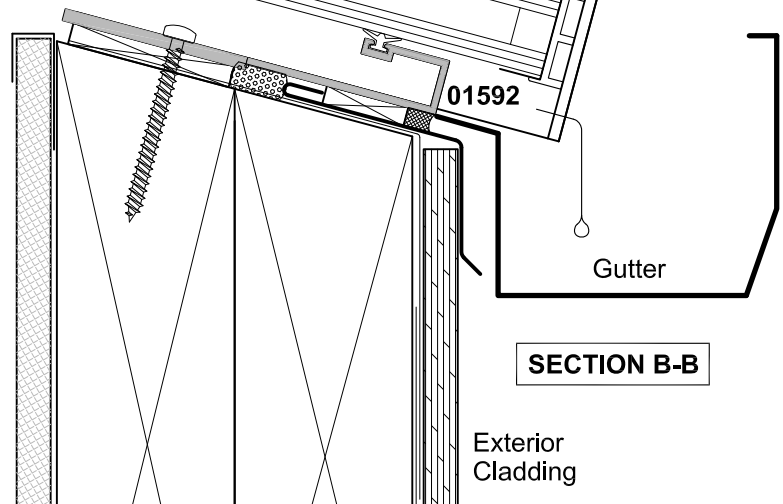
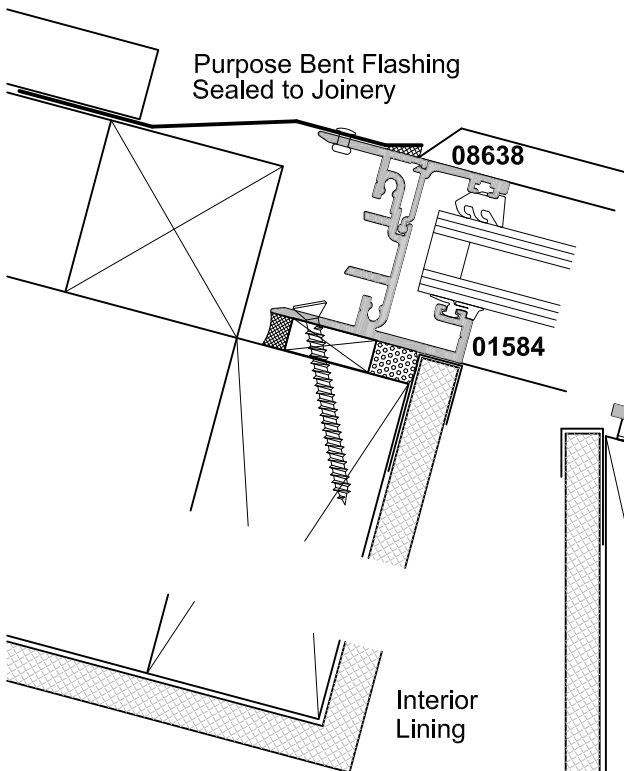


SECTION A-A

9100161
Glazing Bar End Cap
(shown dashed)



Purpose Bent Flashing
Sealed to Joinery



SECTION B-B

Note:
A Minimum Pitch of 5° (Double Glazing) is
required to allow water to run off the glass.

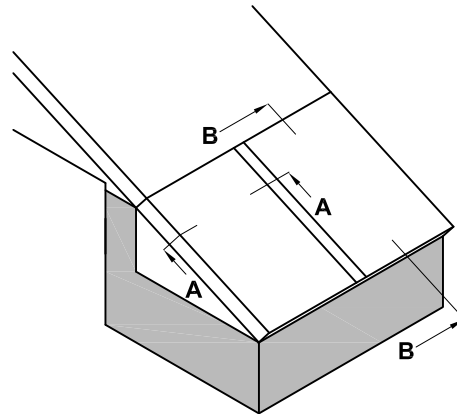


**GLAZING BARS, GABLE
GLAZING LEAN-TO, SMALL FIN RAFTER
CROSS SECTION**

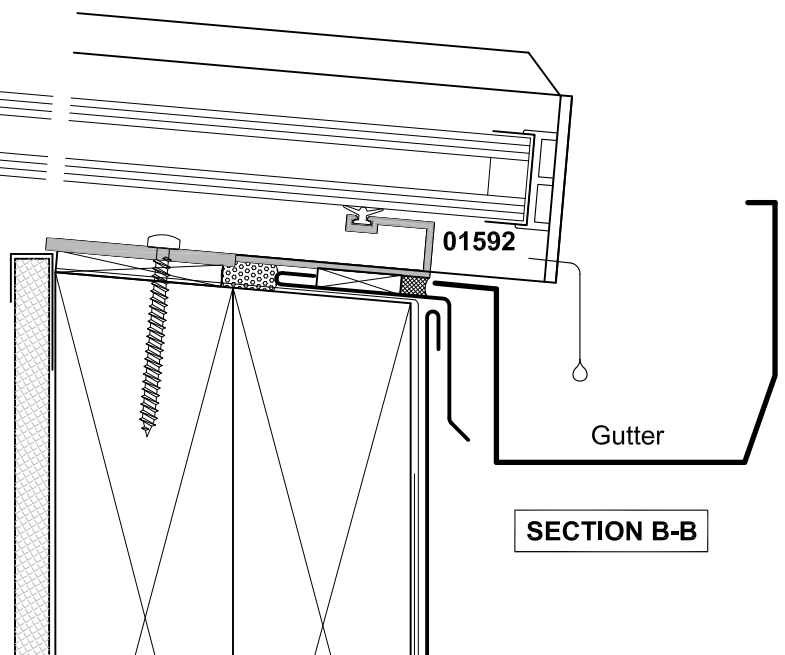
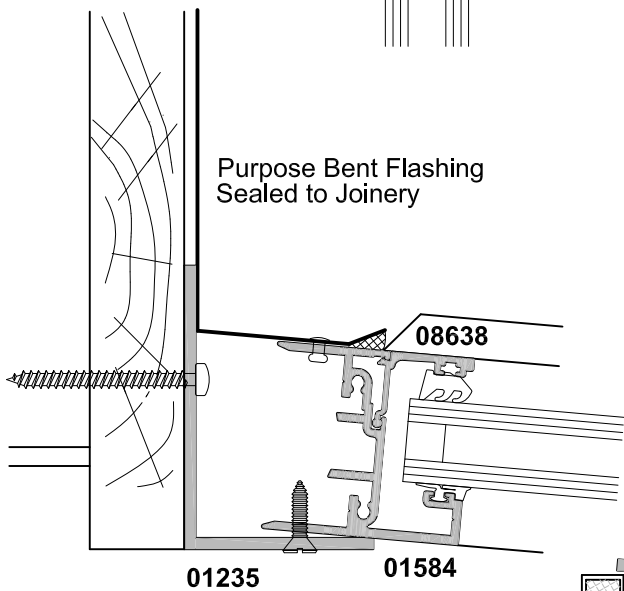
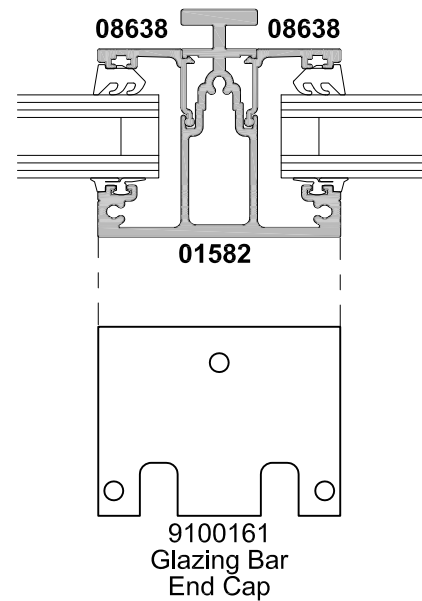
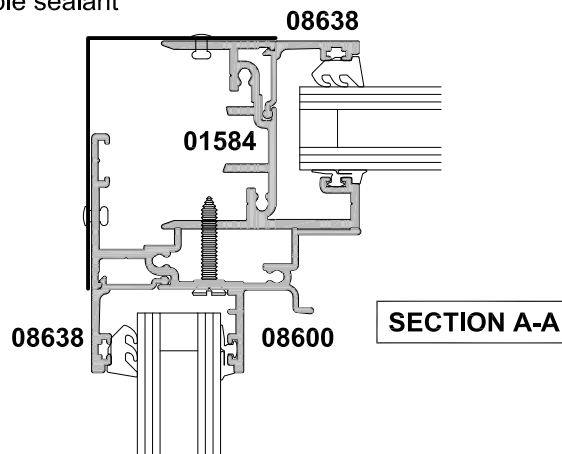
CAD REF. VCOG03-0

DATE
01.06.11

SCALE
1:2



Folded flashing on bed of suitable sealant



Note:
A Minimum Pitch of 5° (Double Glazing) is required to allow water to run off the glass.

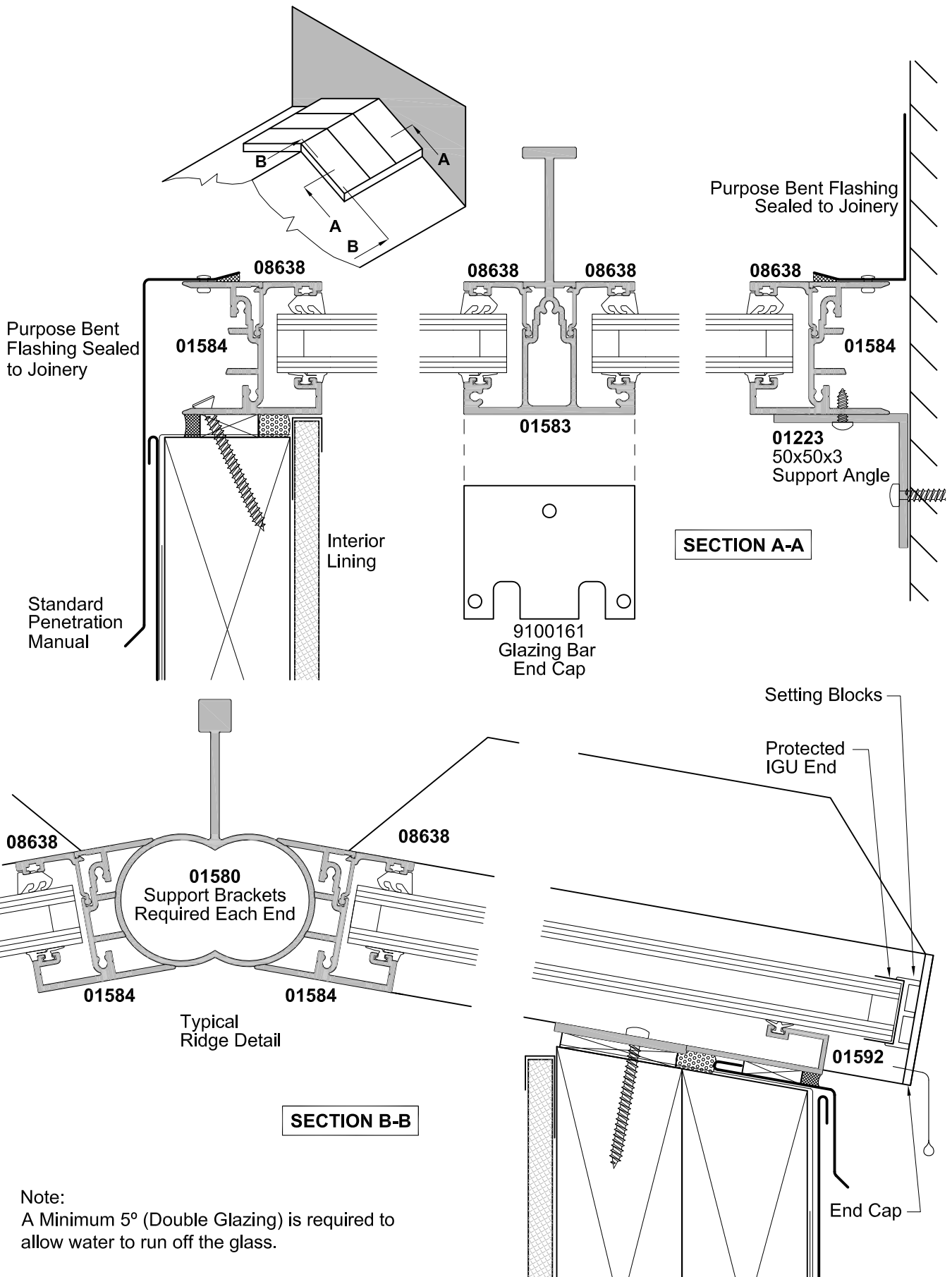


**GLAZING BARS, DOUBLE PITCH
RIDGE SKYLIGHT, LARGE FIN RAFTER
CROSS SECTION**

CAD REF. VCOG04-0

DATE
01.06.11

SCALE
1:2



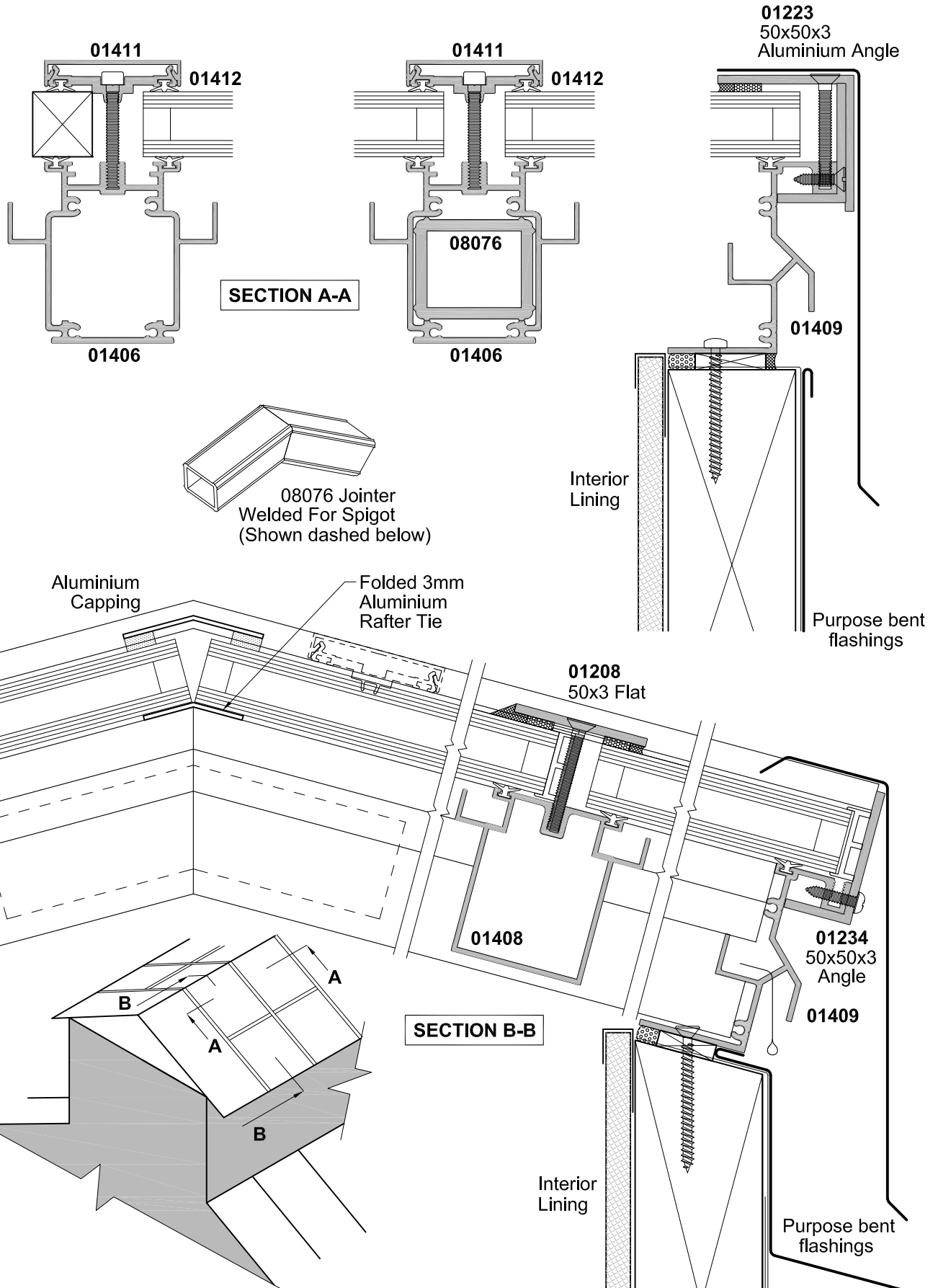


**GLAZING BARS, DBLE PITCH RF
GLAZING, CONDENSATION COLLECTION
CROSS SECTION**

CAD REF. VCOG05-0

DATE
08.06.20

SCALE
1:2



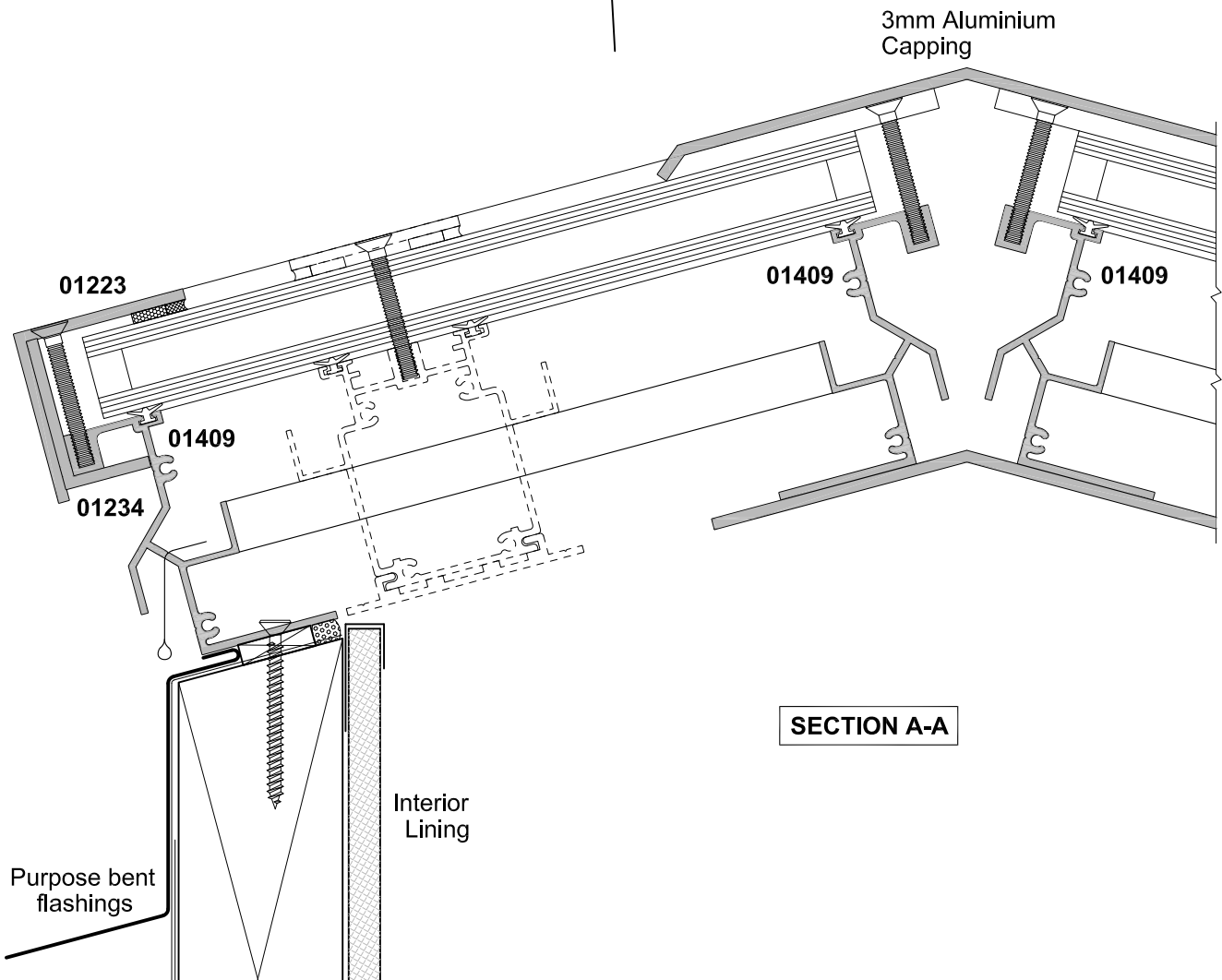
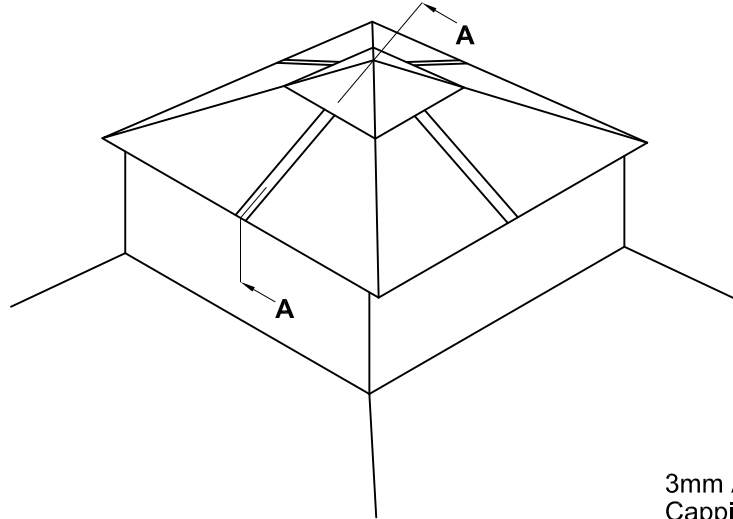


GLAZING BARS, PYRAMID ROOF, CONDENSATION COLLECTION CROSS SECTION

CAD REF. VCOG06-0

DATE
08.06.20

SCALE
1:2



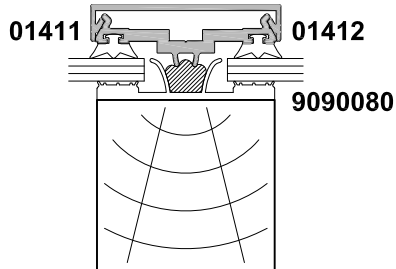


**GLAZING BARS, TIMBER
SINGLE GLAZED
CROSS SECTION**

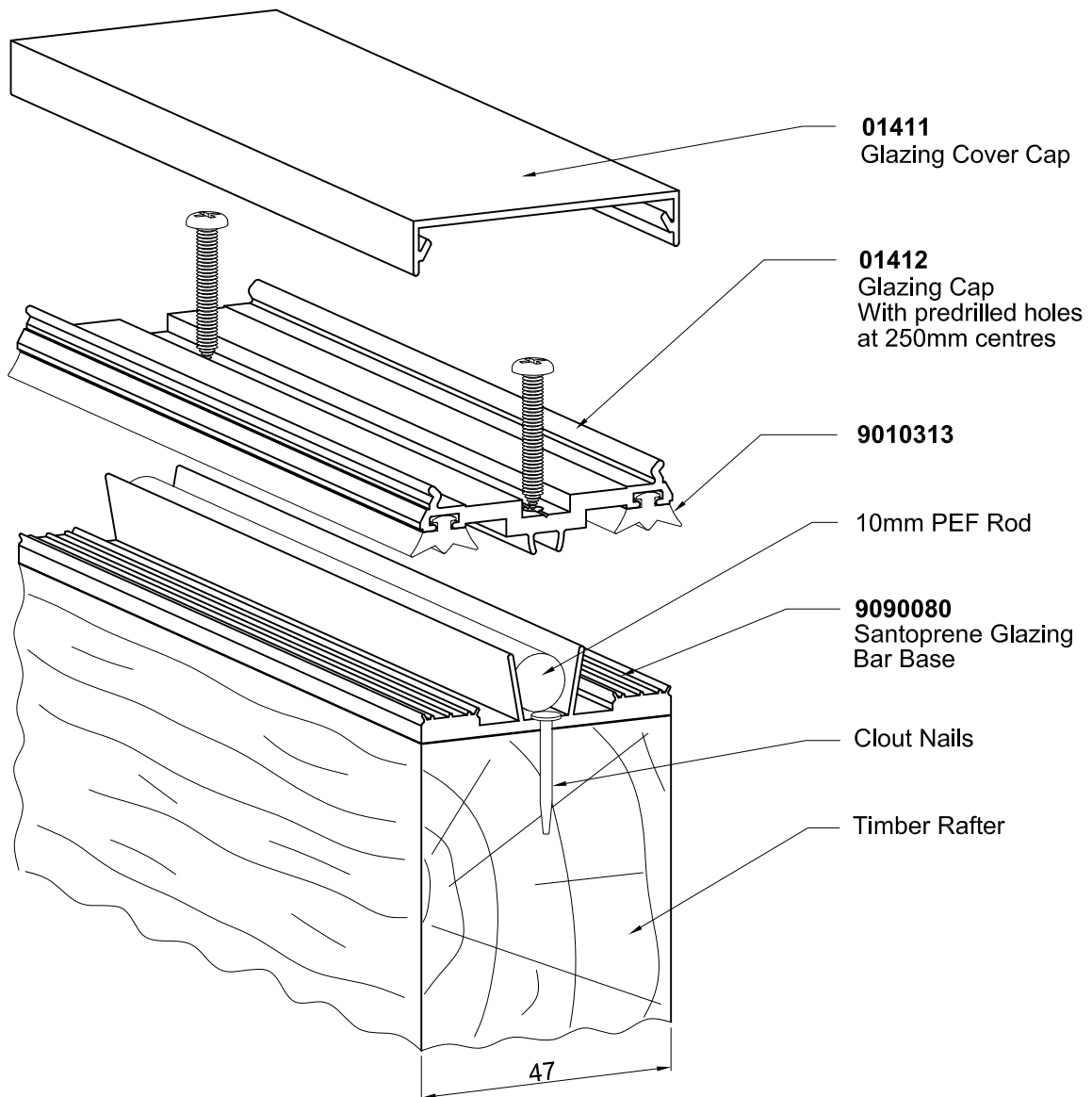
CAD REF. VCOG07-0

DATE
08.06.20

SCALE
1:2



NOTE:
For External Use Only. Suitable
Applications are Glazed Pergolas and
Gazebos



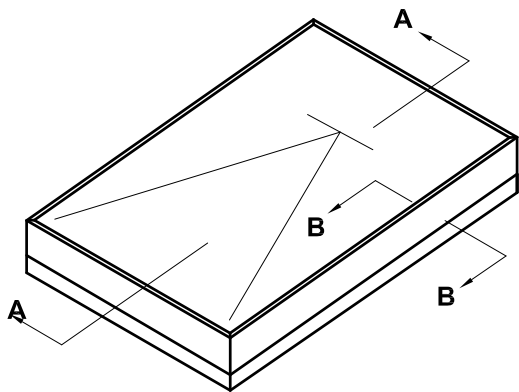
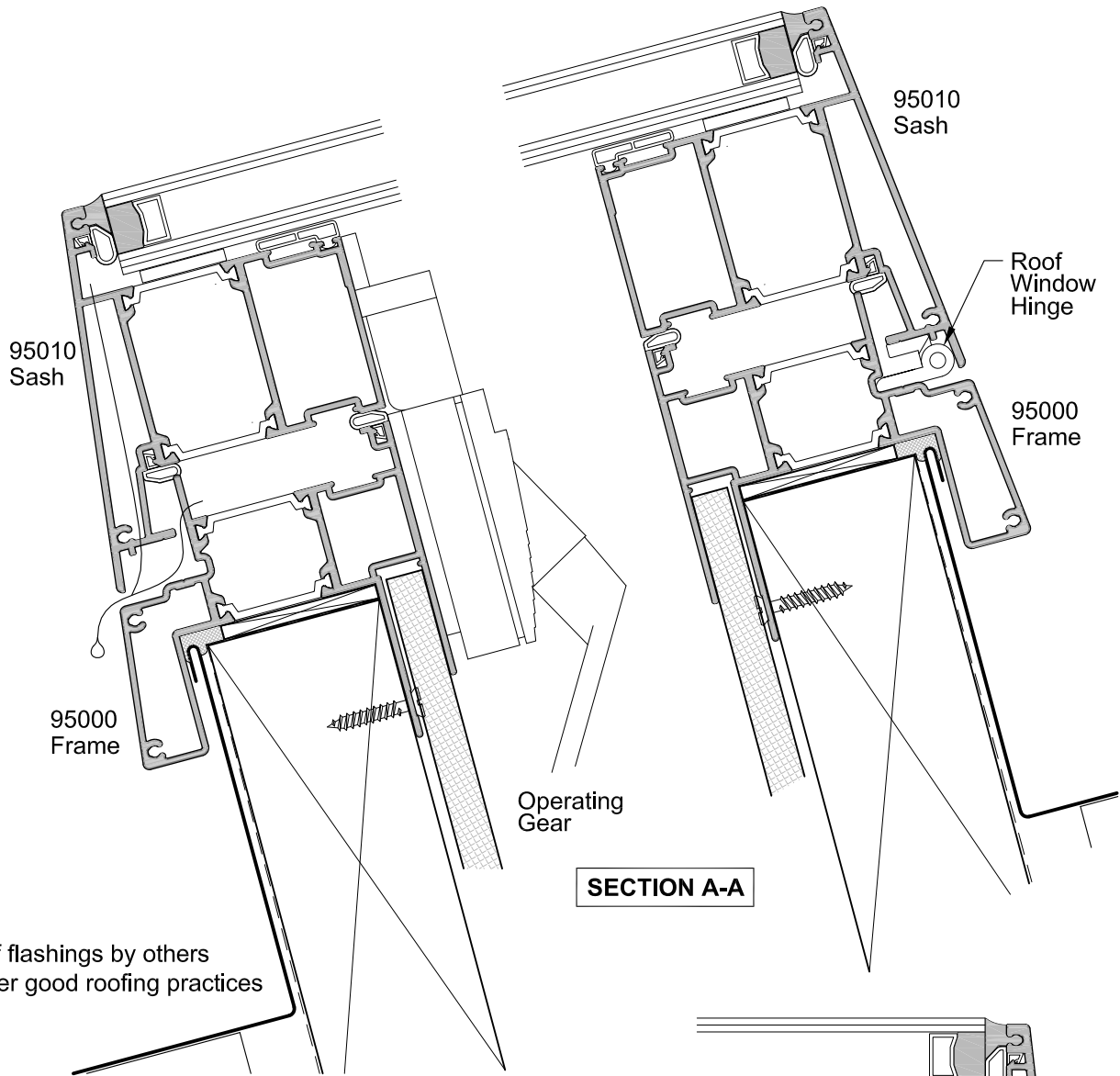


ROOF WINDOW WITH THERMAL HEART
CROSS SECTION

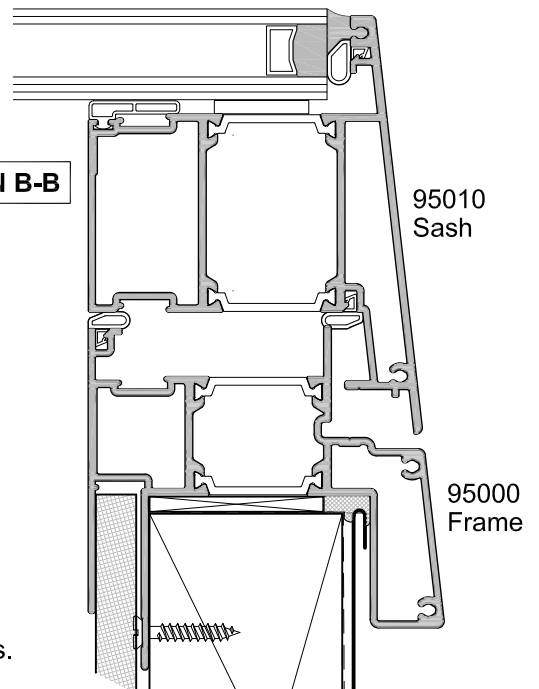
CAD REF. VCOG08-0

DATE
08.06.20

SCALE
1:2



SECTION B-B



Note:
A Minimum Pitch of 5° is required to allow water to run off the glass.
Contact APL Technical Advisory Services for available sizes.

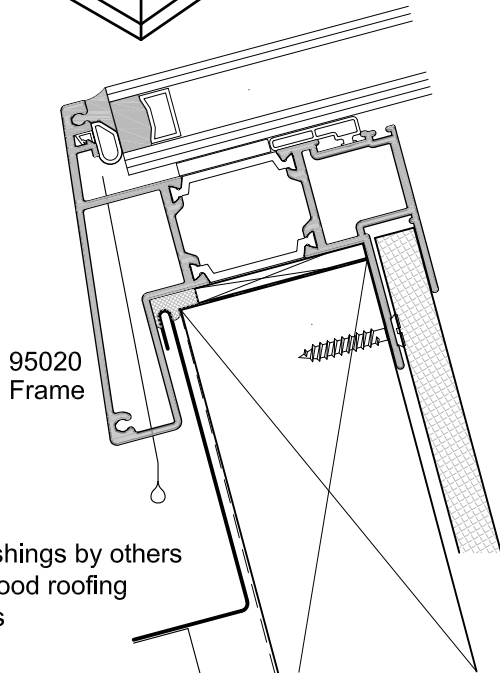
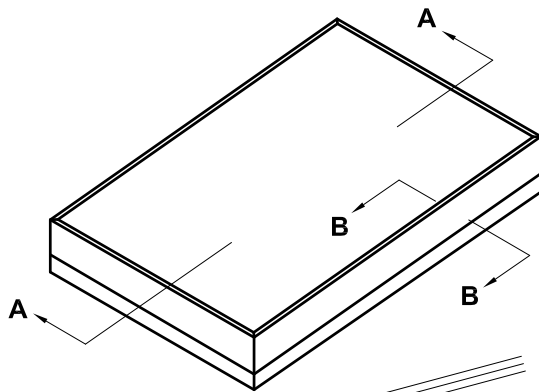


**FIXED SKYLIGHT
WITH THERMAL HEART
CROSS SECTION**

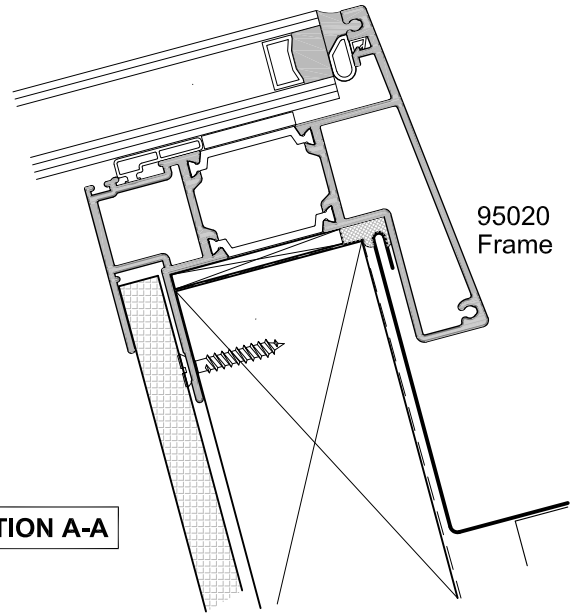
CAD REF. VCOG09-0

DATE
08.06.20

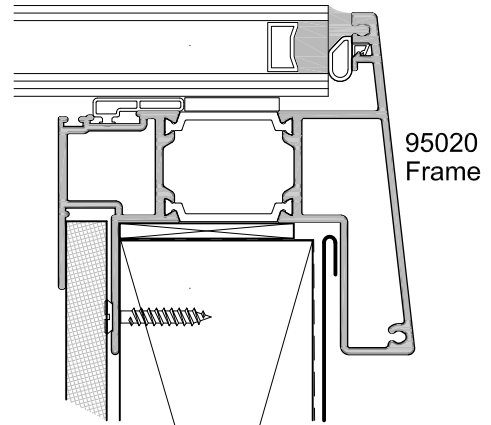
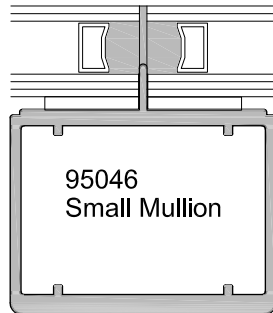
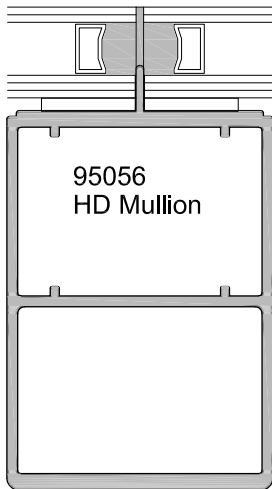
SCALE
1:2



SECTION A-A



Roof flashings by others
as per good roofing
practices



SECTION B-B

Note:

A Minimum Pitch of 5° is required to allow water to run off the glass.
Contact APL Technical Advisory Services for available sizes.