

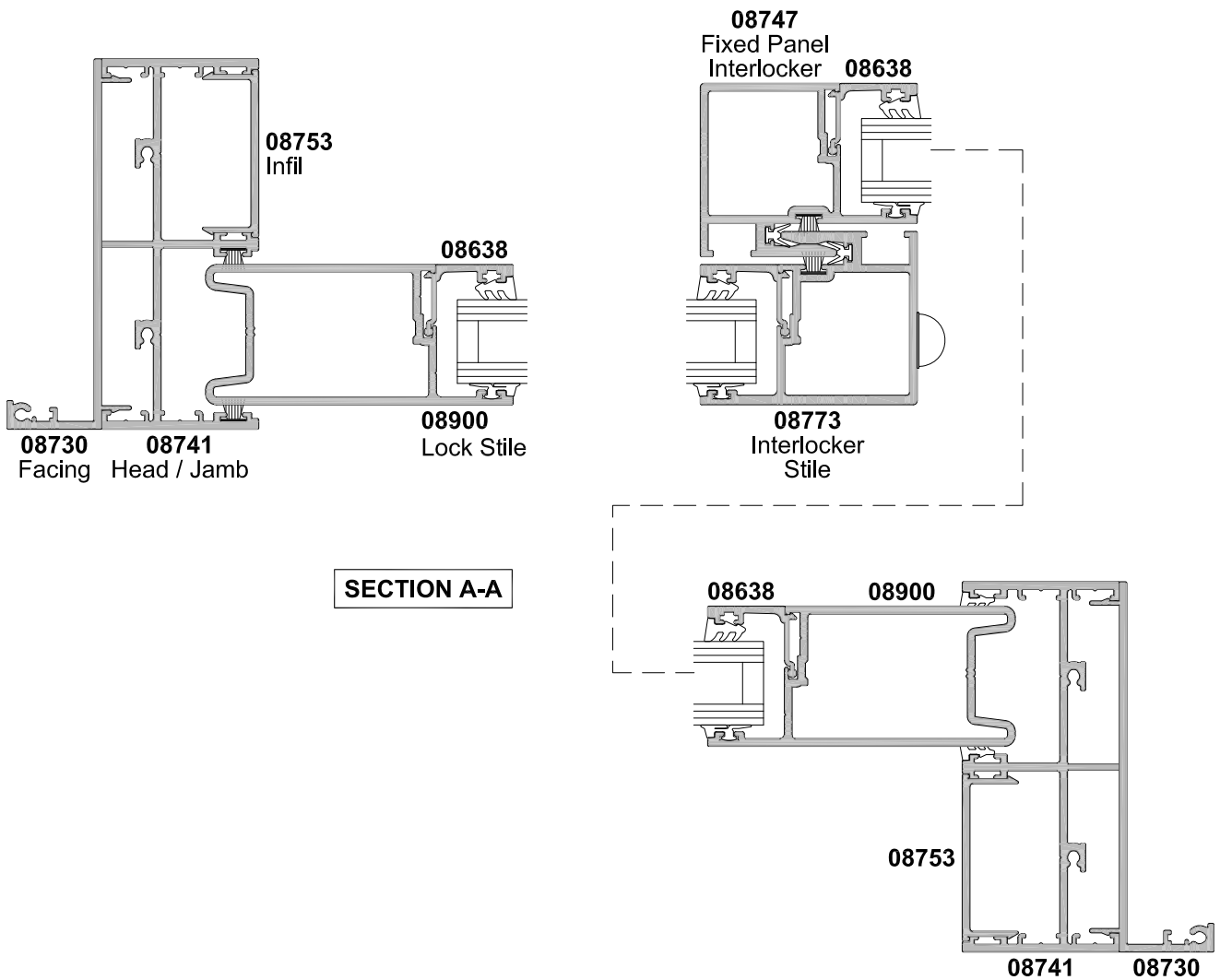
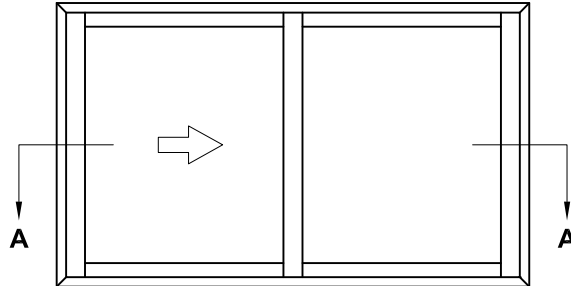


**APL ARCHITECTURAL SERIES**  
**SLIDING WINDOW - TWIN TRACK**  
**TWO PANEL SF (HORIZONTAL)**  
CROSS SECTION

CAD REF. VASW02-0

DATE  
01.06.11

SCALE  
1:2



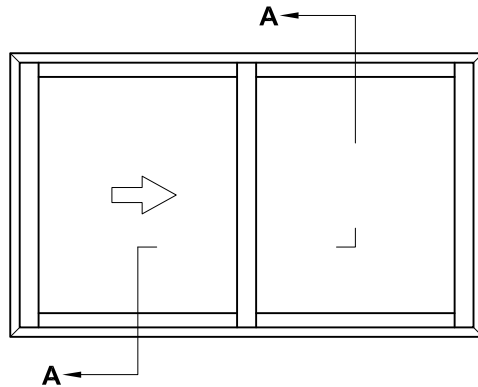


**APL ARCHITECTURAL SERIES  
SLIDING WINDOW - TWIN TRACK  
TWO PANEL SF (VERTICAL)  
CROSS SECTION**

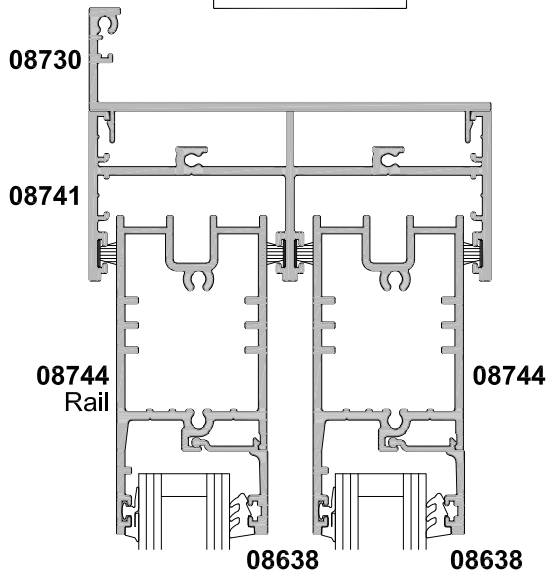
CAD REF. VASW03-0

DATE  
27.09.19

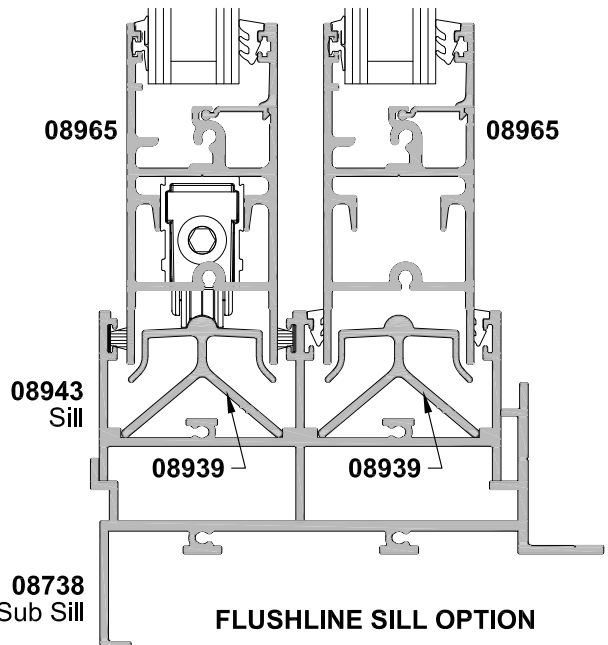
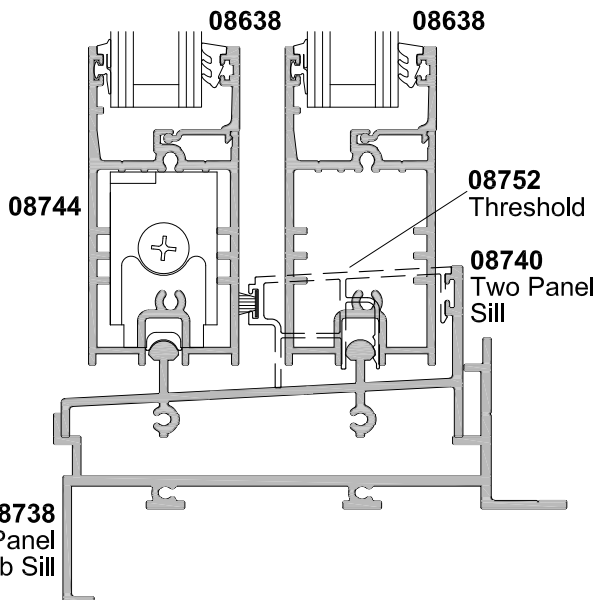
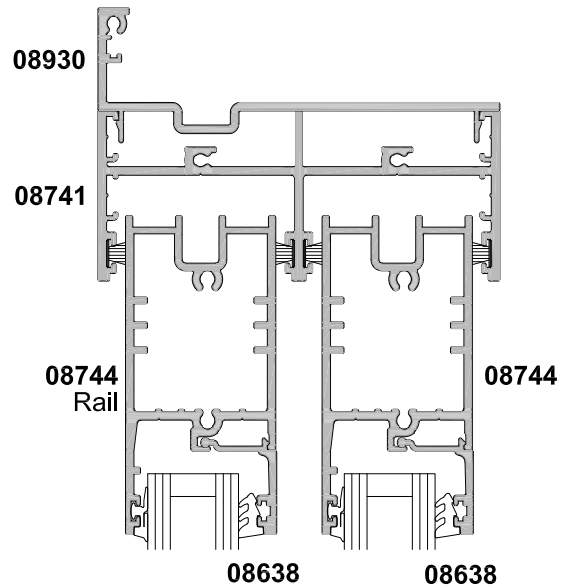
SCALE  
1:2



**SECTION A-A**



**106mm DRAINED FACING OPTION**



**FLUSHLINE SILL OPTION**

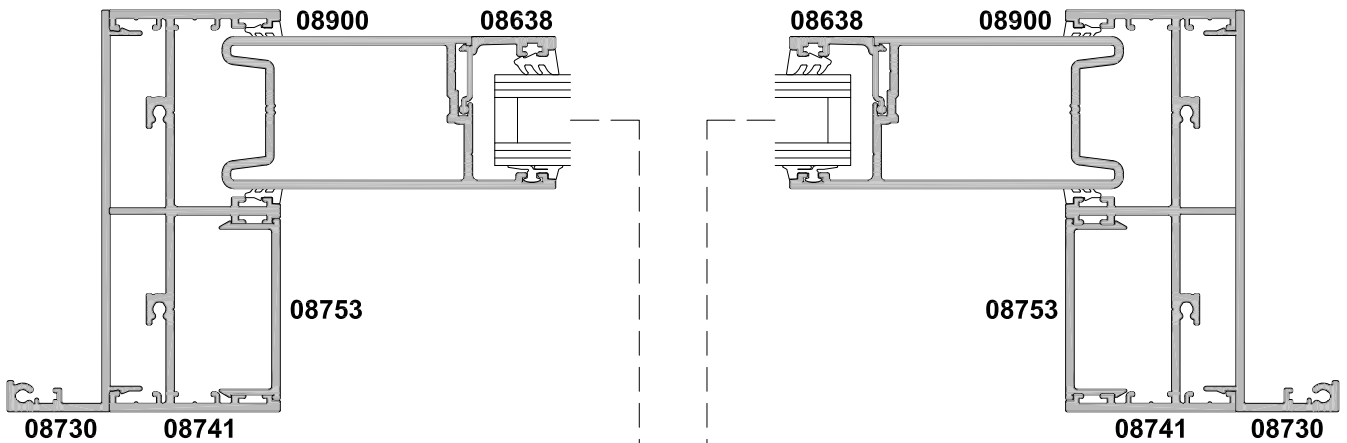
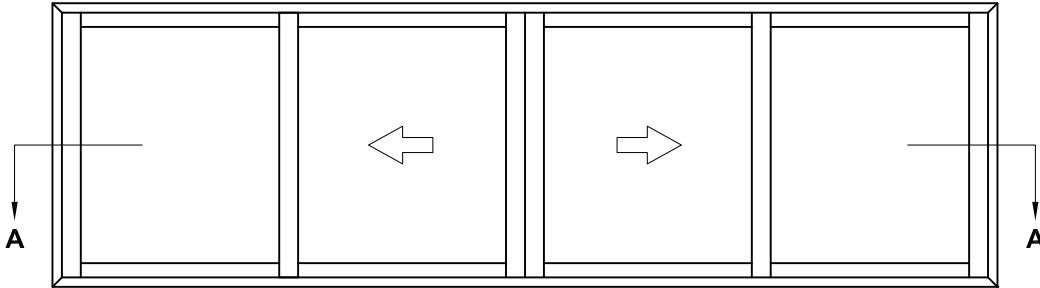


**APL ARCHITECTURAL SERIES**  
**SLIDING WINDOW -**  
**TWIN TRACK FOUR PANEL FSSF**  
CROSS SECTION

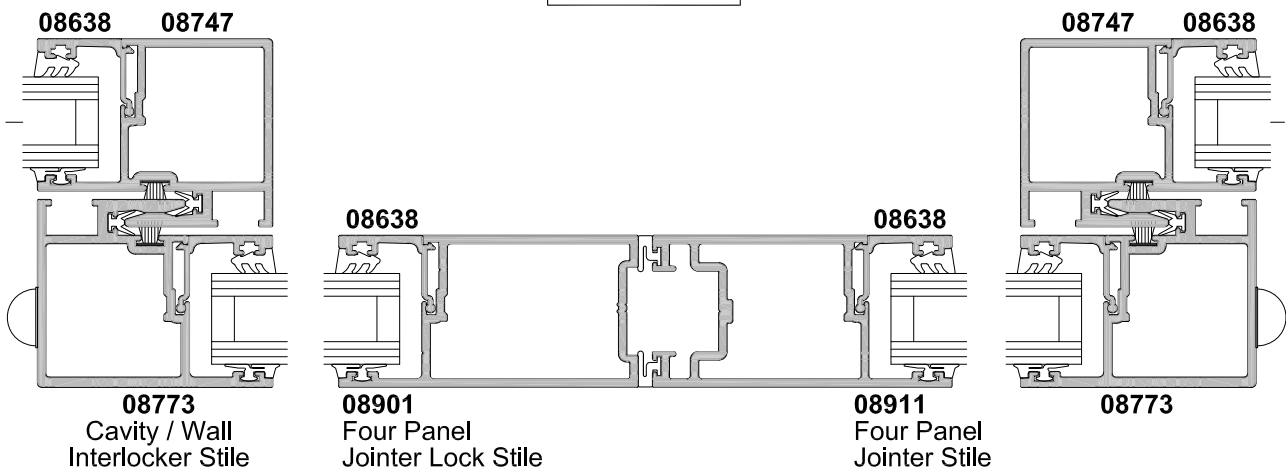
CAD REF. VASW04-0

DATE  
01.06.11

SCALE  
1:2



**SECTION A-A**





**APL ARCHITECTURAL SERIES  
SLIDING WINDOW - TWIN TRACK  
THREE PANEL SFS WITH CENTRAL STOP  
CROSS SECTION**

CAD REF. VASW05-0

DATE  
01.06.11

SCALE  
1:2

