

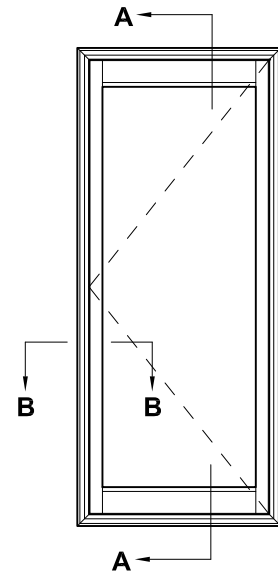
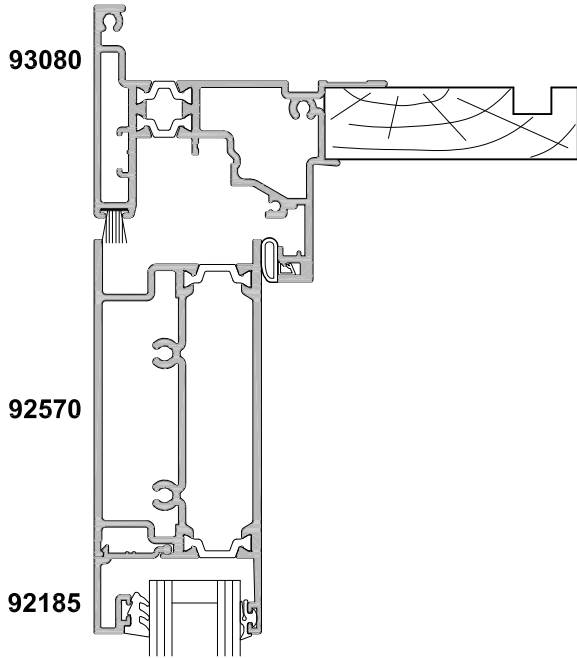


**METRO THERMAL HEART
HINGED DOOR
OPEN OUT
CROSS SECTION**

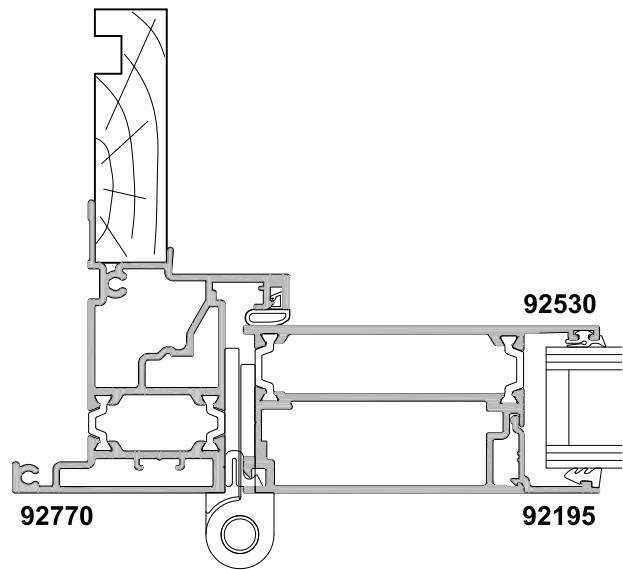
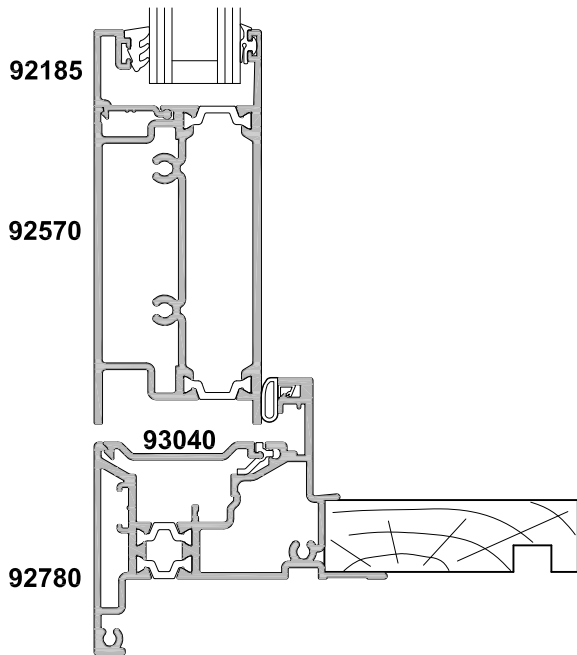
CAD REF. VTHD02-0

DATE
01.08.17

SCALE
1:2



SECTION A-A



SECTION B-B

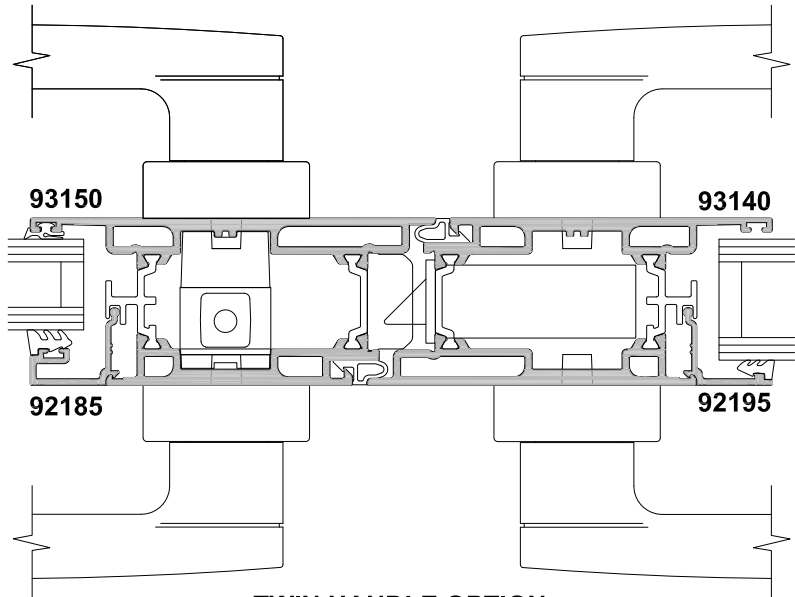
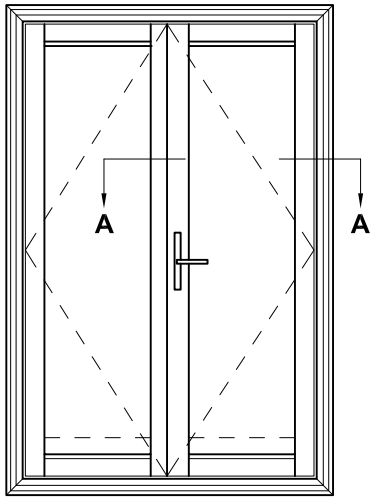


**METRO THERMAL HEART
HINGED DOOR
FRENCH DOOR
CROSS SECTION**

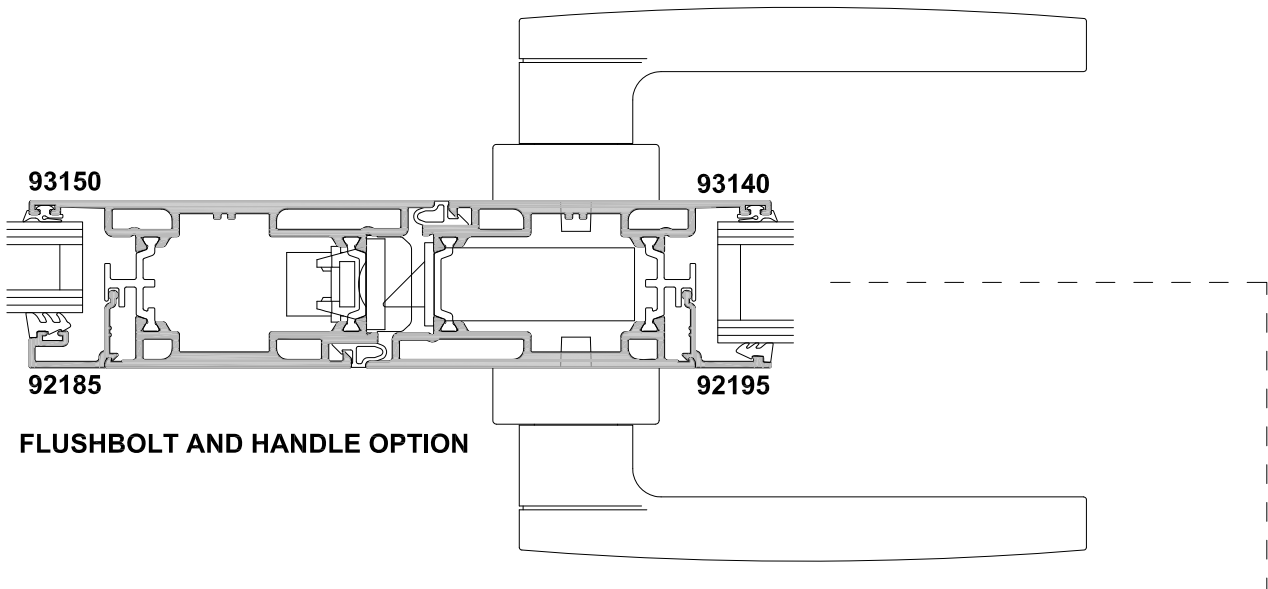
CAD REF. VTHD03-0

DATE
01.08.17

SCALE
1:2

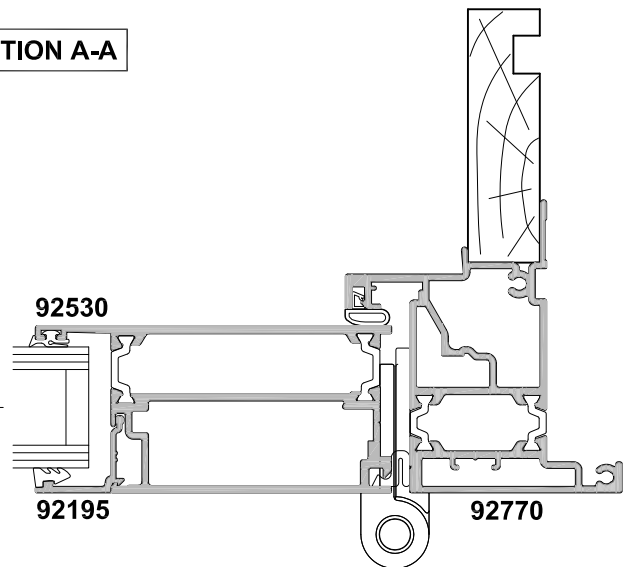


TWIN HANDLE OPTION



FLUSHBOLT AND HANDLE OPTION

SECTION A-A



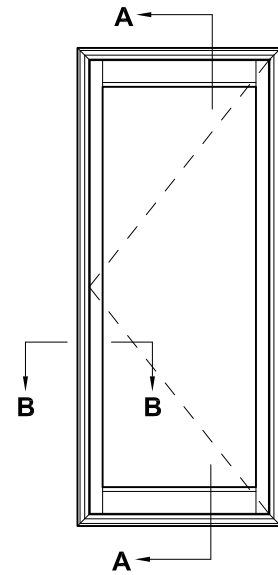
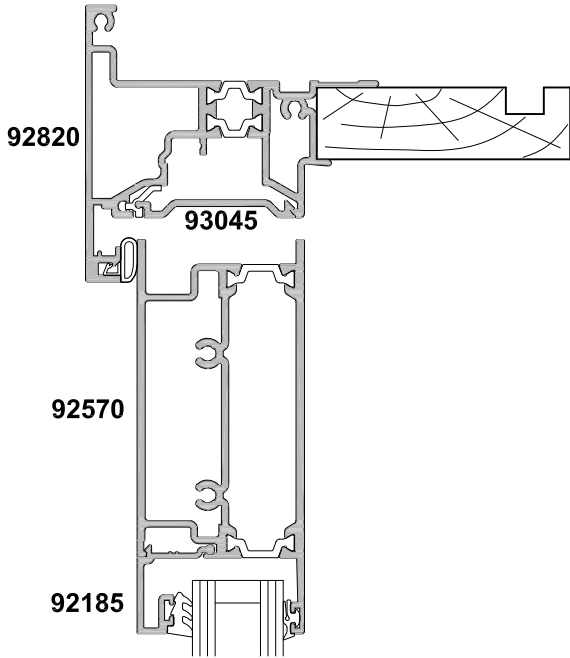


**METRO THERMAL HEART
HINGED DOOR
OPEN IN
CROSS SECTION**

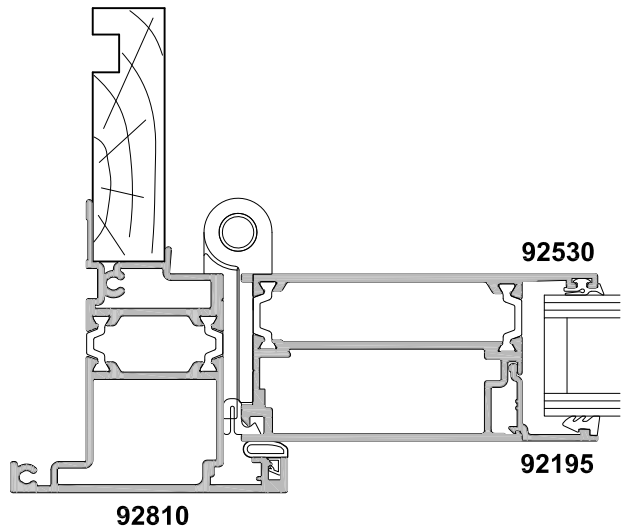
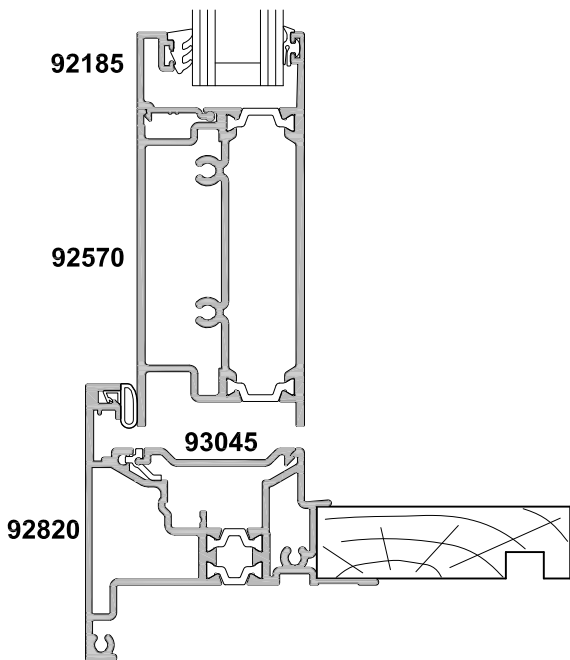
CAD REF. VTHD04-0

DATE
01.08.17

SCALE
1:2



SECTION A-A



SECTION B-B

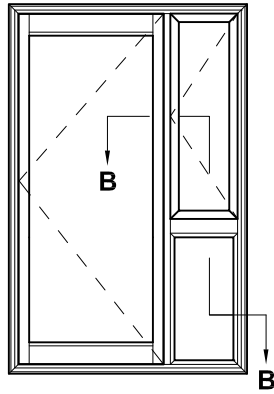
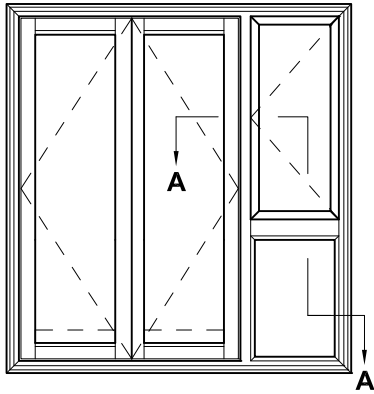


**METRO THERMAL HEART
OPEN OUT & OPEN IN
HINGED DOOR COUPLED SIDELIGHT
CROSS SECTION**

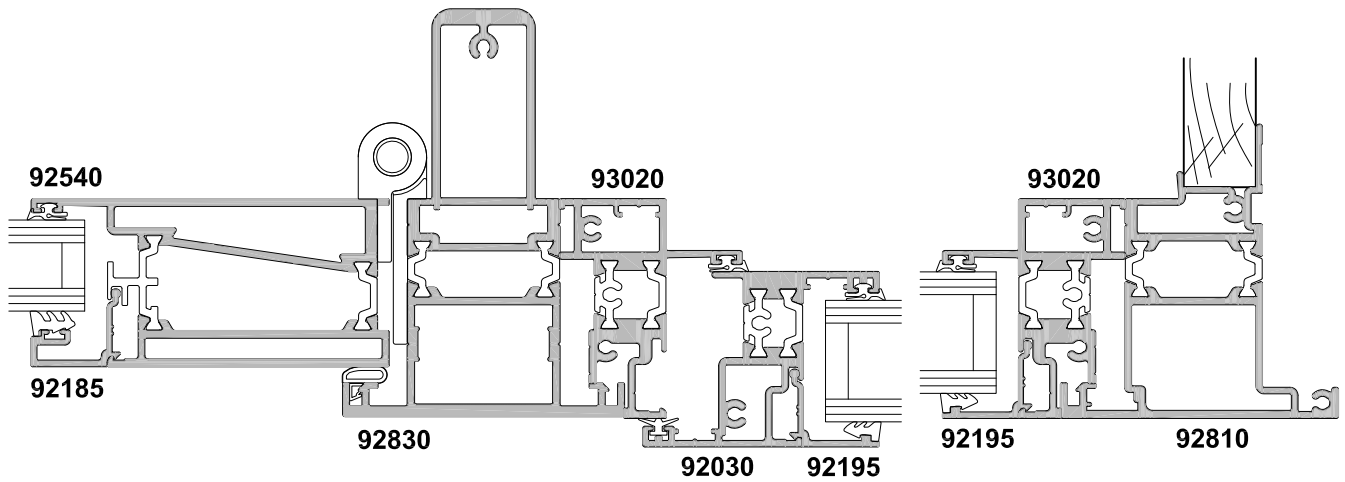
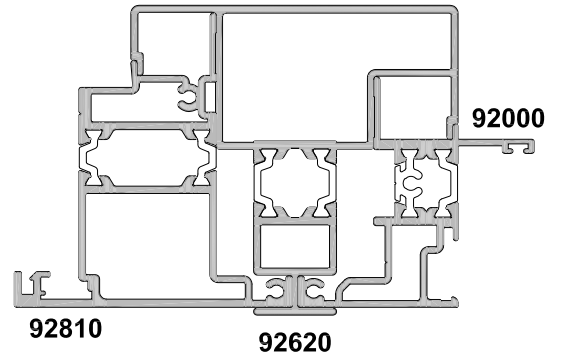
CAD REF. VTHD05-0

DATE
01.08.17

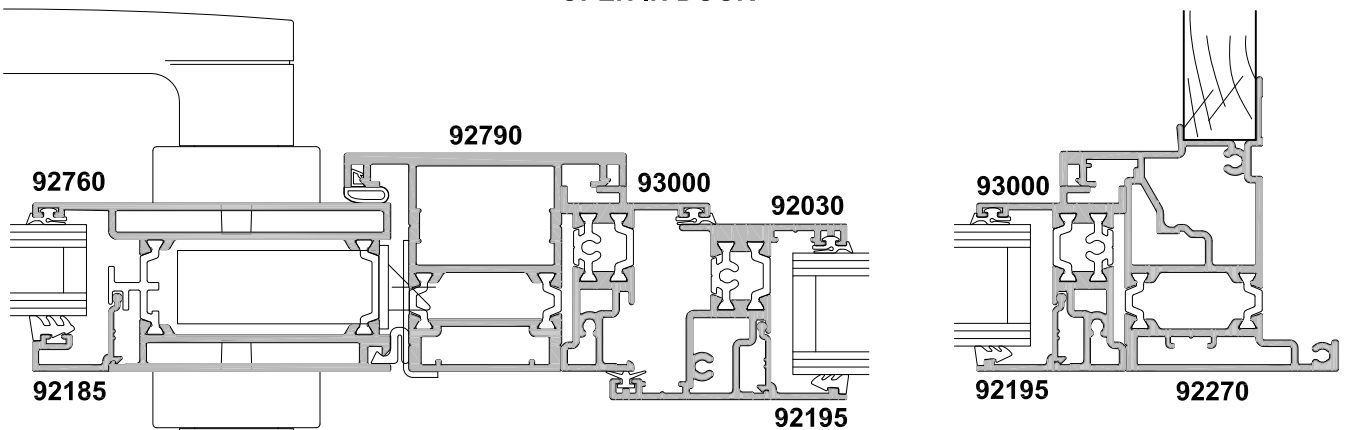
SCALE
1:2



COUPLING BAR OPTION



**SECTION A-A
OPEN IN DOOR**



**SECTION B-B
OPEN OUT DOOR**

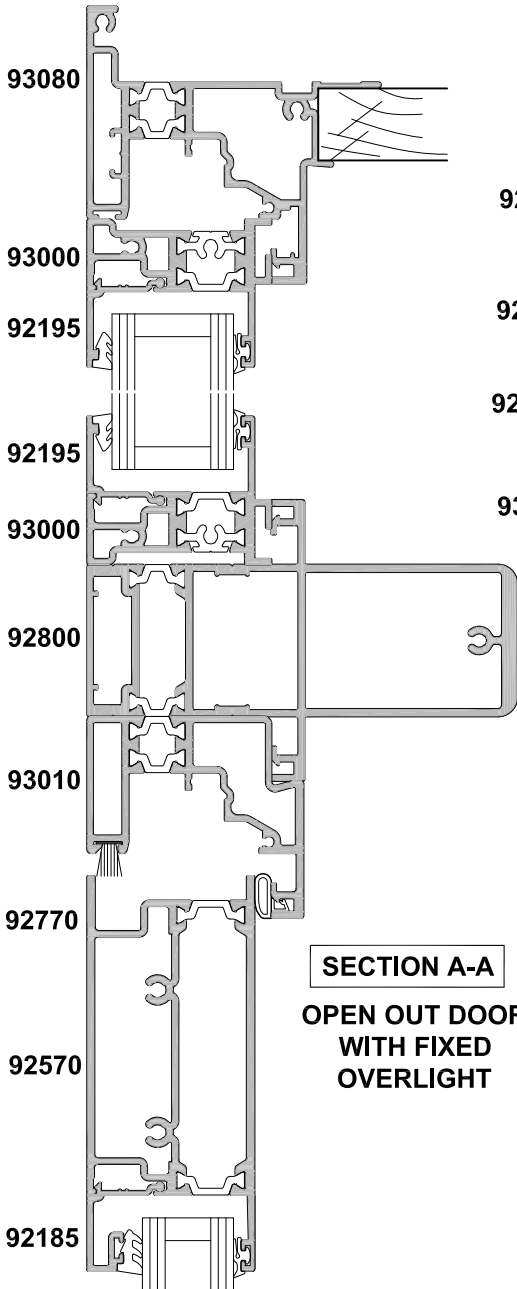
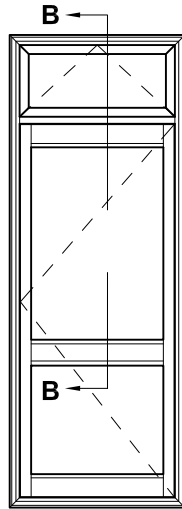
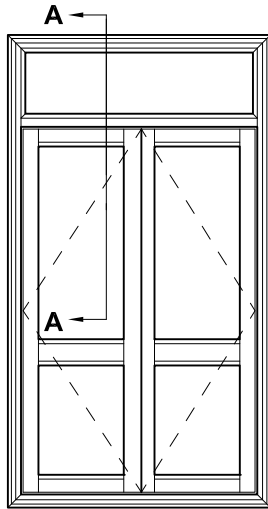


**METRO THERMAL HEART
OPEN OUT & OPEN IN
HINGED DOOR COUPLED OVERLIGHT
CROSS SECTION**

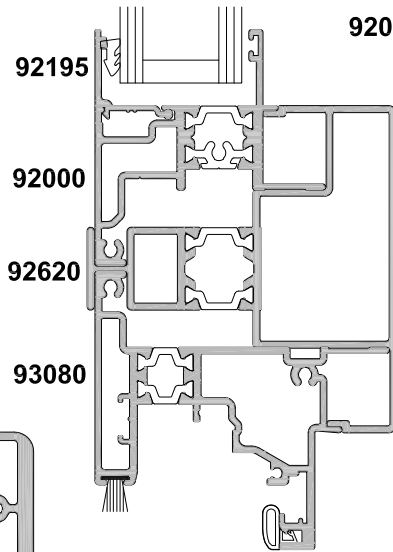
CAD REF. VTHD06-0

DATE
01.08.17

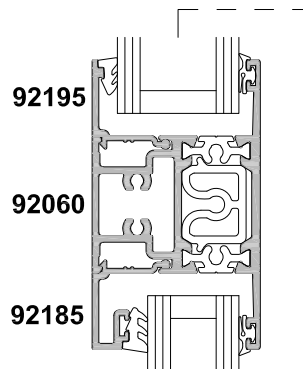
SCALE
1:2



**SECTION A-A
OPEN OUT DOOR
WITH FIXED
OVERLIGHT**



COUPLING BAR OPTION



**SECTION B-B
OPEN IN DOOR WITH
OVERLIGHT SASH**

