

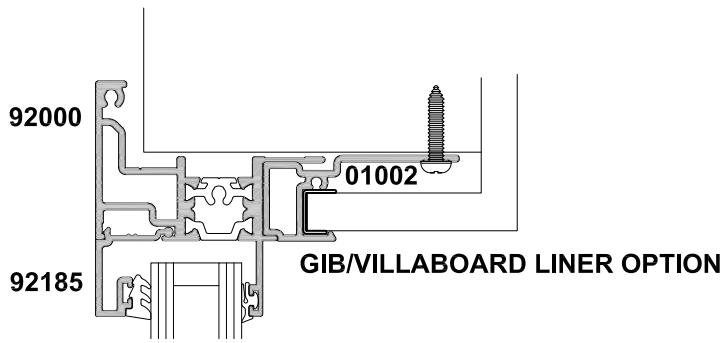


**METRO THERMAL HEART  
AWNING WINDOW  
INTERNAL BOX MULLION / TRANSOM  
CROSS SECTION**

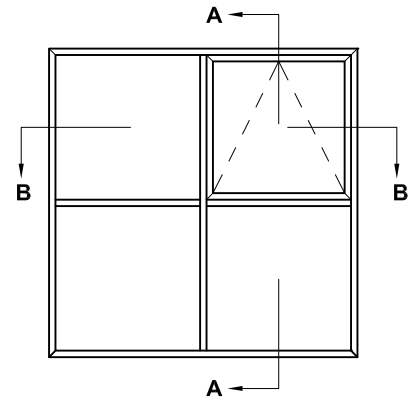
CAD REF. VTAW01-0

DATE  
01.06.11

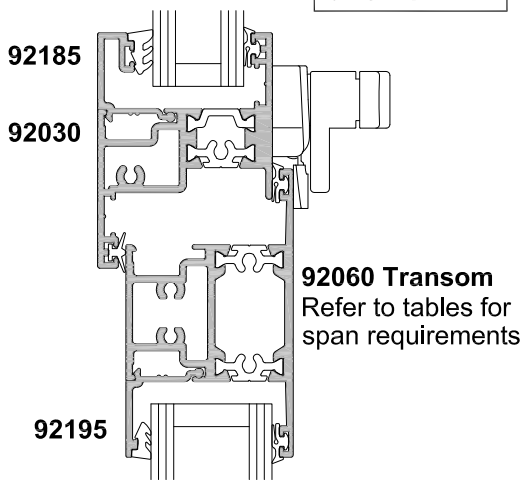
SCALE  
1:2



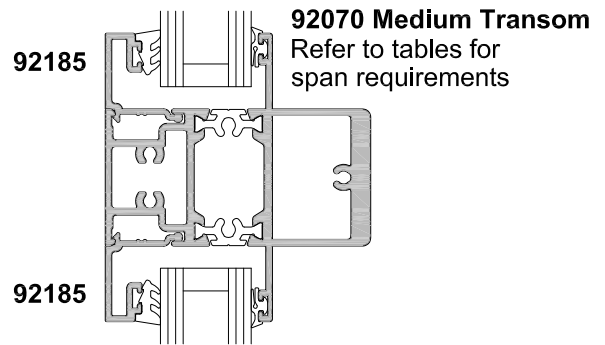
**GIB/VILLABOARD LINER OPTION**



**SECTION A-A**

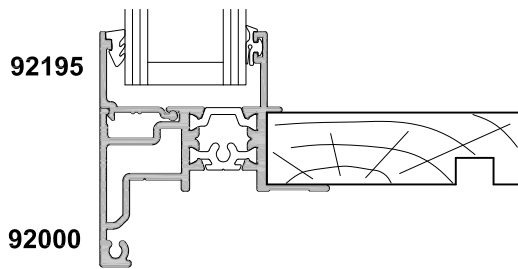


**92060 Transom**  
Refer to tables for span requirements

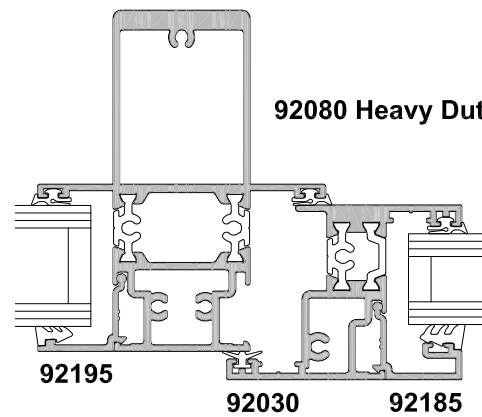


**92070 Medium Transom**  
Refer to tables for span requirements

**MEDIUM TRANSOM OPTION**

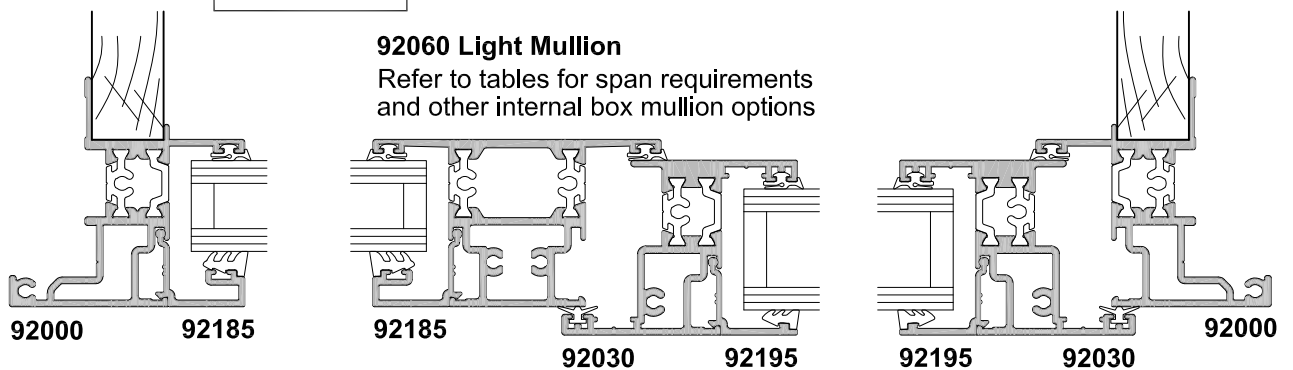


**92080 Heavy Duty Mullion**



**HEAVY DUTY MULLION OPTION**

**SECTION B-B**



**92060 Light Mullion**  
Refer to tables for span requirements and other internal box mullion options



**METRO THERMAL HEART  
AWNING WINDOW  
90° CORNER WINDOW, FACET WINDOW  
CROSS SECTION**

CAD REF. VTAW02-0

DATE  
01.06.11

SCALE  
1:2

