

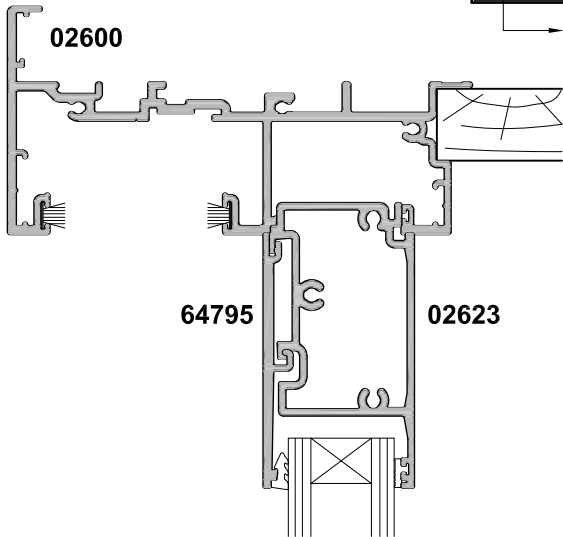
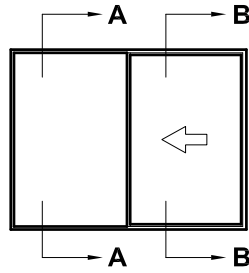


**METRO SERIES
SLIDING DOOR
TWO PANEL FS
CROSS SECTION**

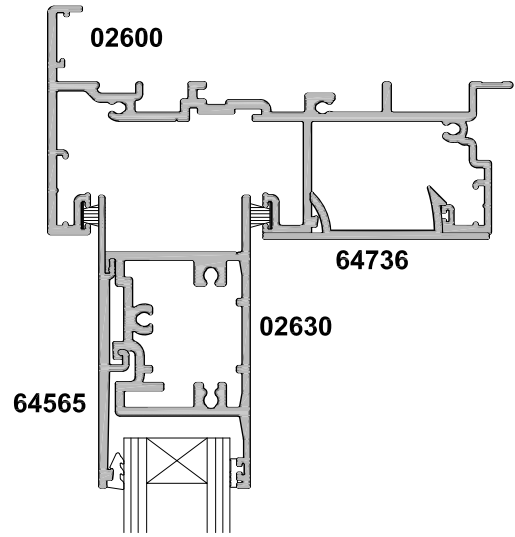
CAD REF. VMSD02-0

DATE
29.09.21

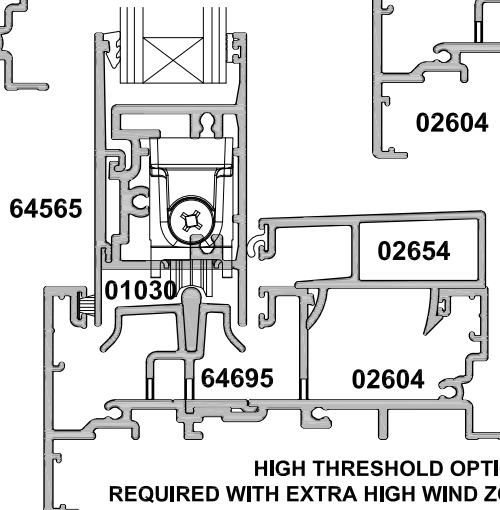
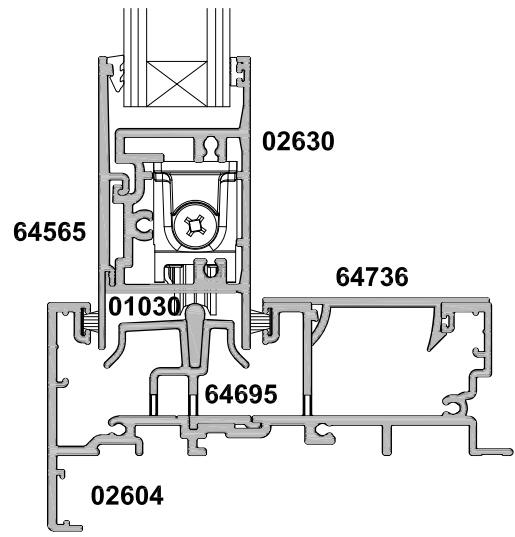
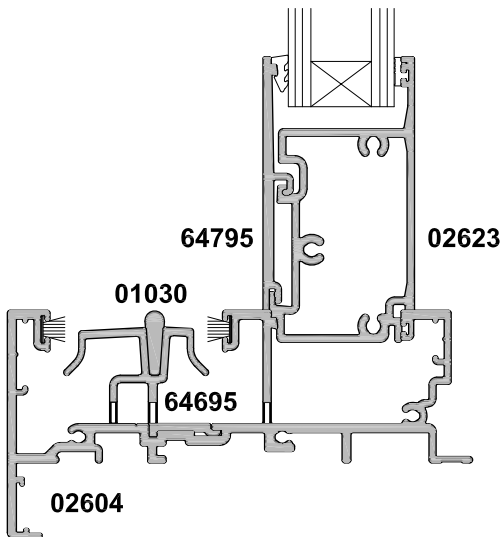
SCALE
1:2



SECTION A-A



SECTION B-B



**HIGH THRESHOLD OPTION
REQUIRED WITH EXTRA HIGH WIND ZONE AND ABOVE**

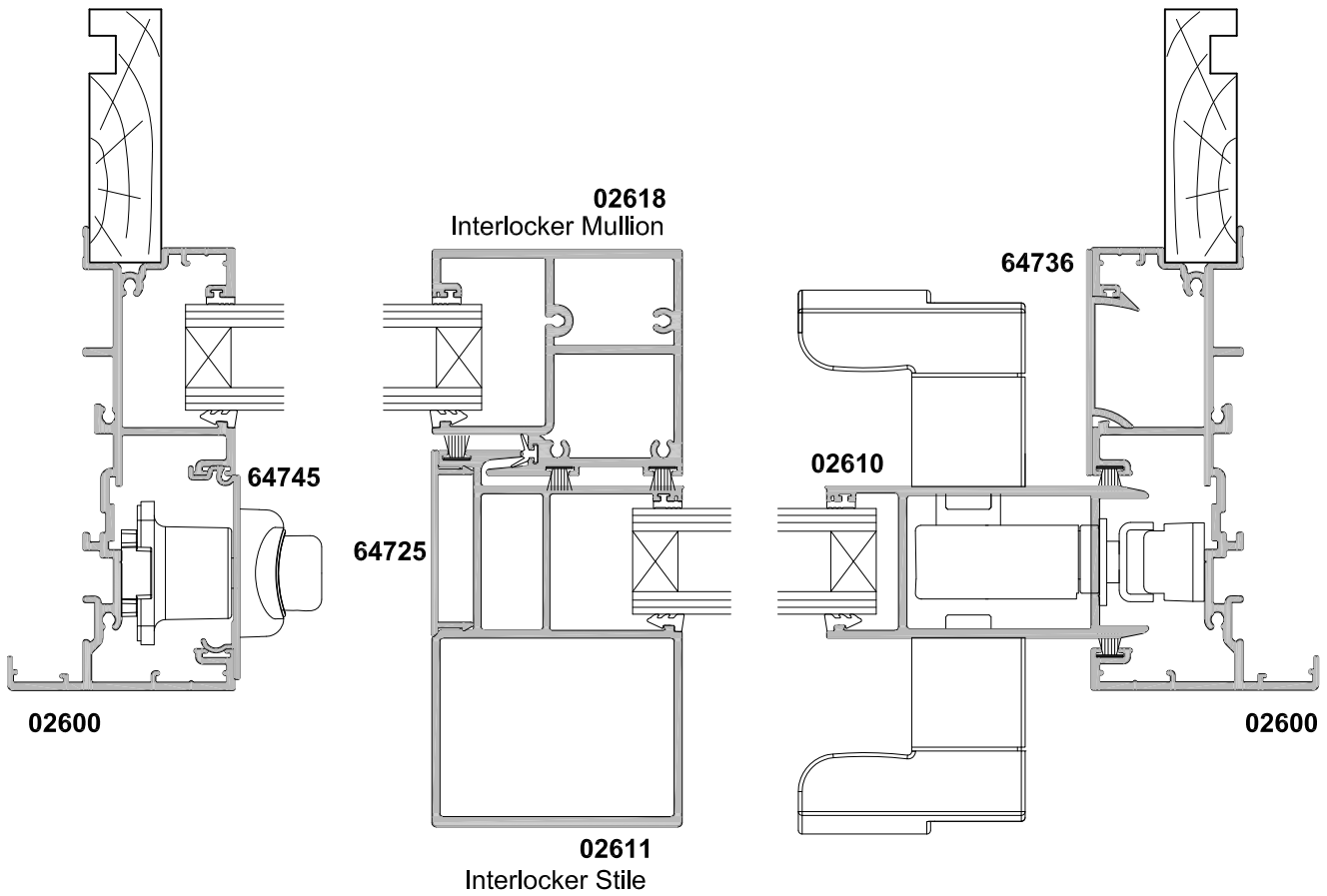
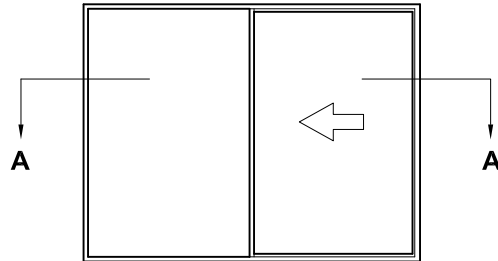


**METRO SERIES
SLIDING DOOR
TWO PANEL FS
CROSS SECTION**

CAD REF. VMSD03-0

DATE
01.07.16

SCALE
1:2



SECTION A-A

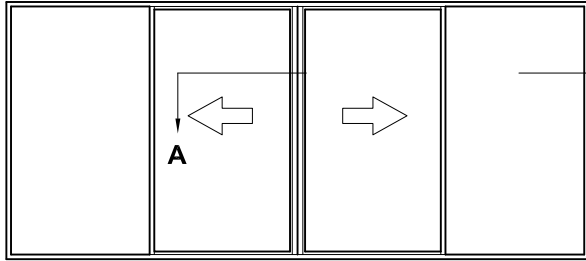


**METRO SERIES
SLIDING DOOR
FOUR PANEL FSSF
CROSS SECTION**

CAD REF. VMSD04-0

DATE
01.07.16

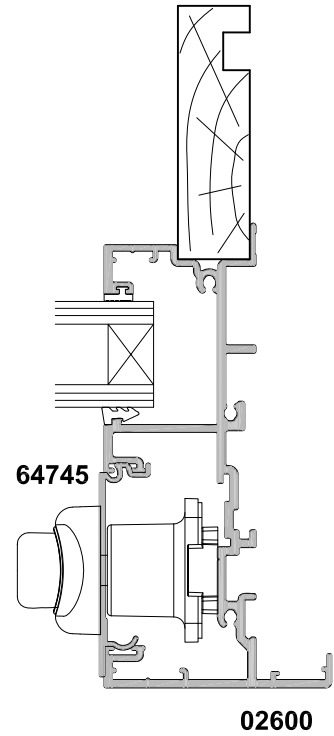
SCALE
1:2



02618
Interlocker
Mullion

64725

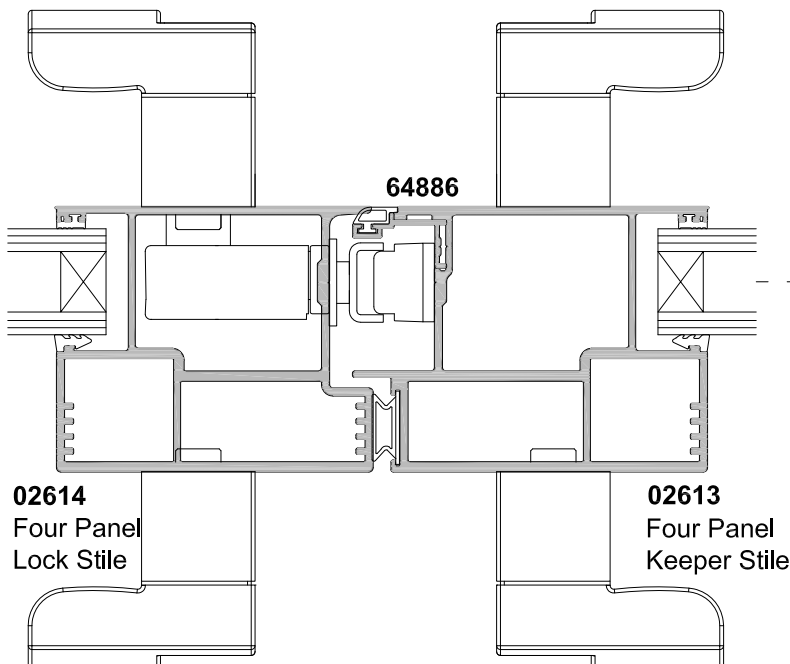
02611



64745

02600

SECTION A-A



64886

02614
Four Panel
Lock Stile

02613
Four Panel
Keeper Stile

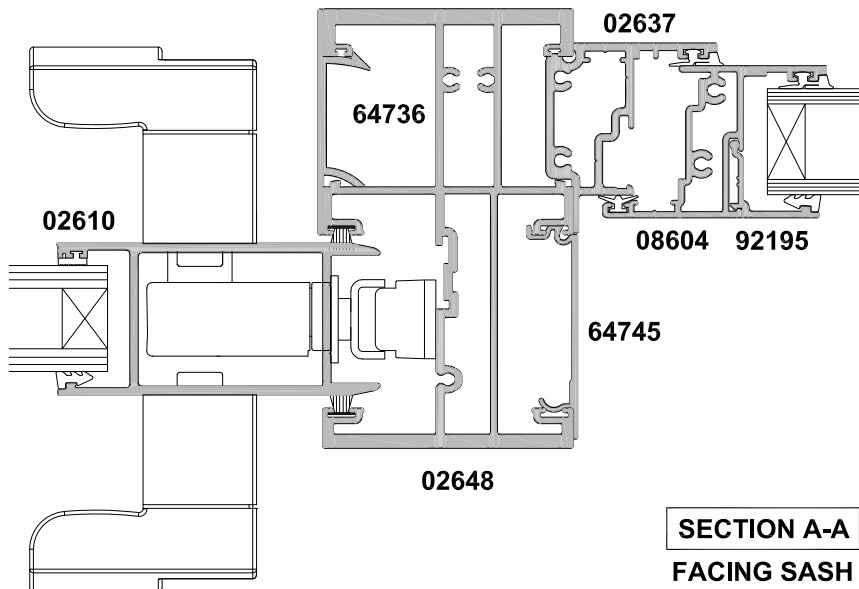
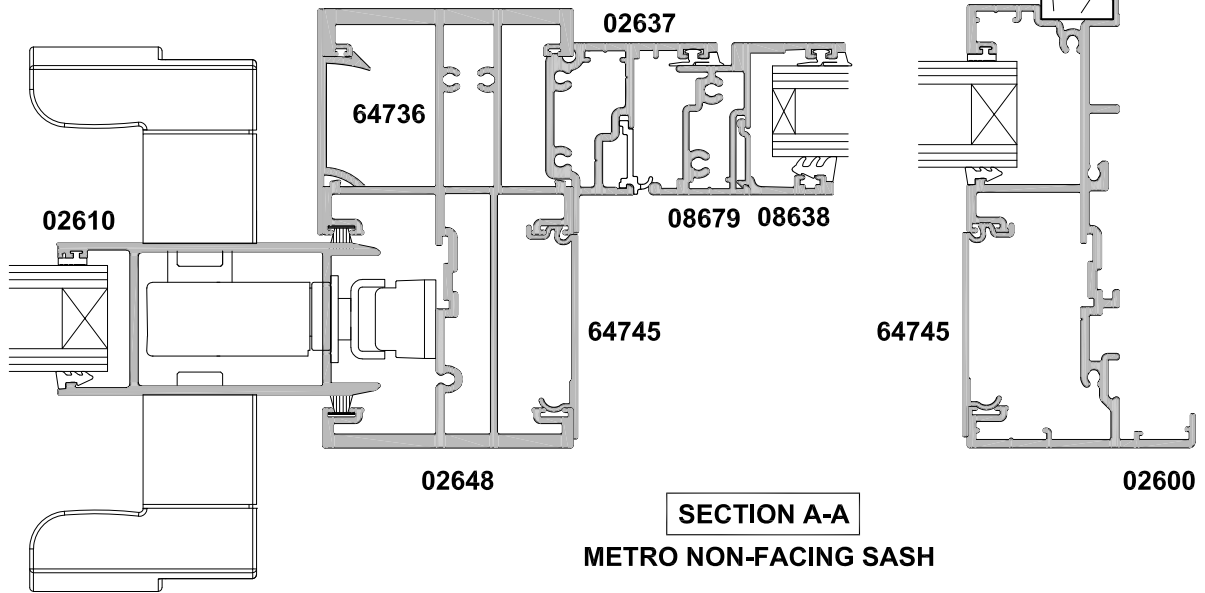
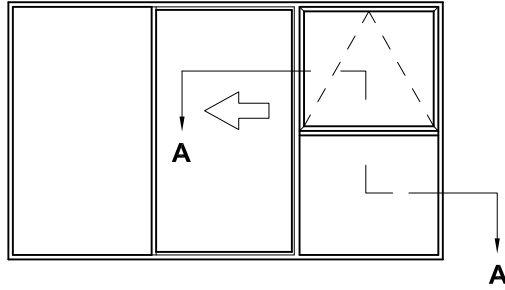


**METRO SERIES
SLIDING DOOR
THREE PANEL FSF
CROSS SECTION**

CAD REF. VMSD05-0

DATE
18.09.18

SCALE
1:2



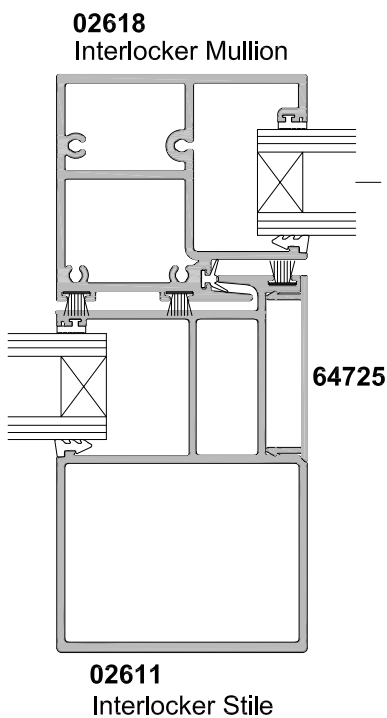
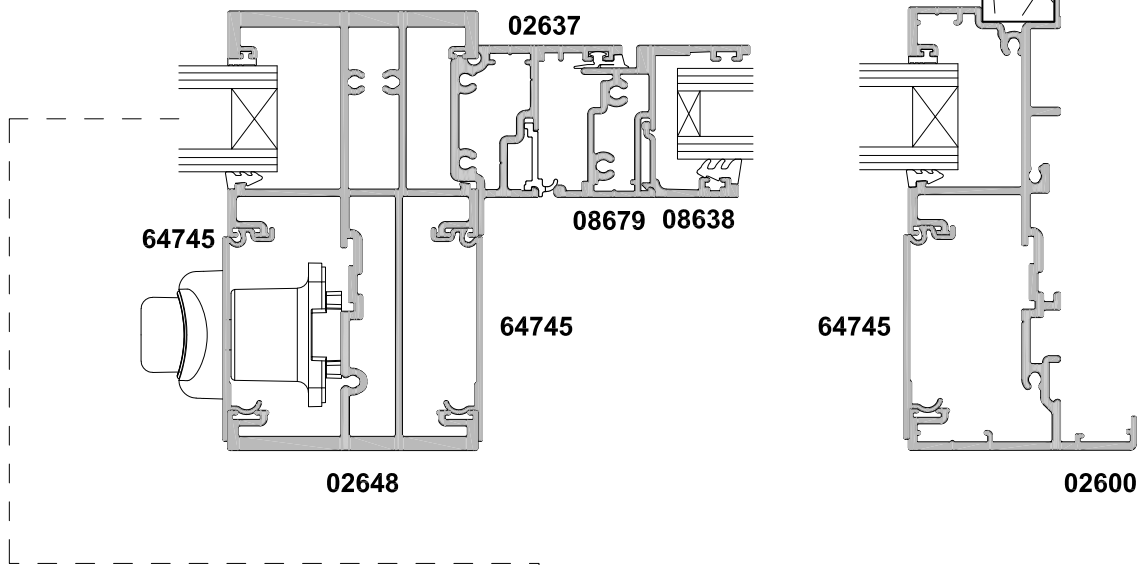
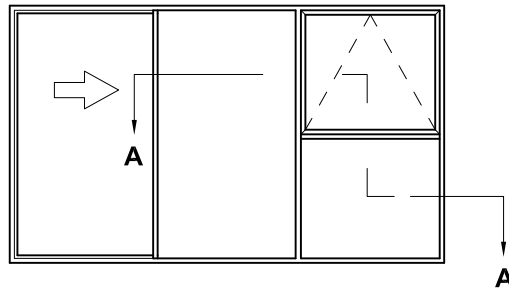


**METRO SERIES
SLIDING DOOR
THREE PANEL SFF
CROSS SECTION**

CAD REF. VMSD06-0

DATE
18.09.18

SCALE
1:2



SECTION A-A

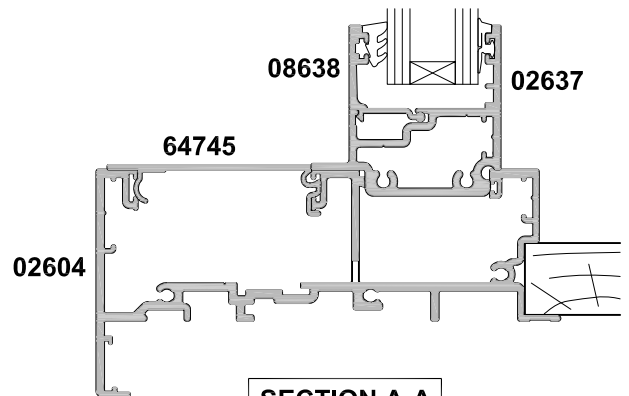
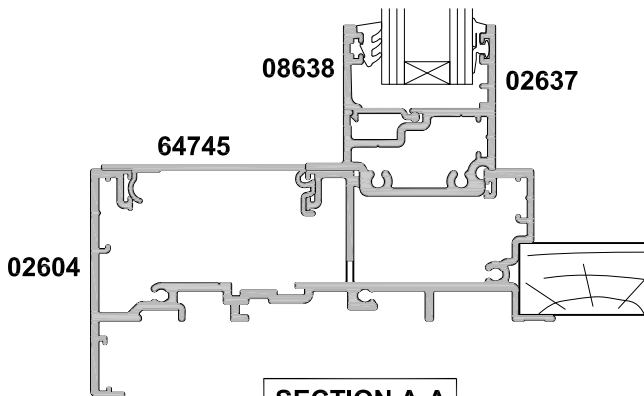
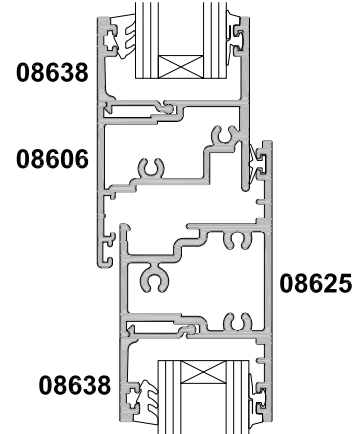
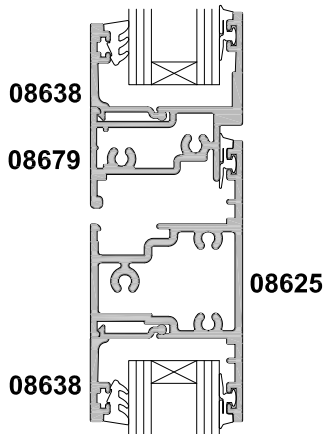
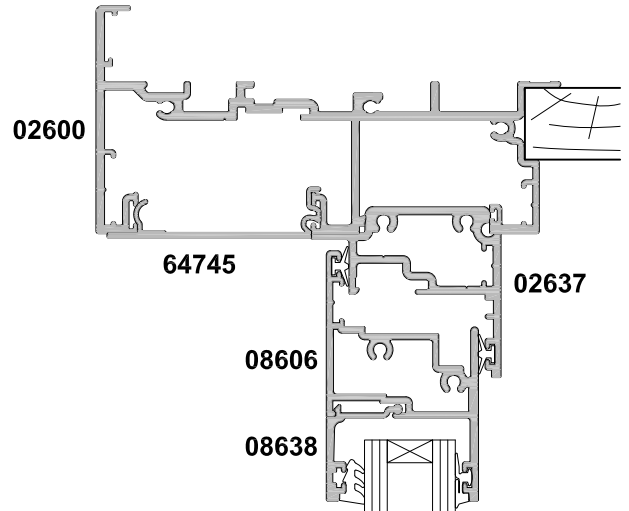
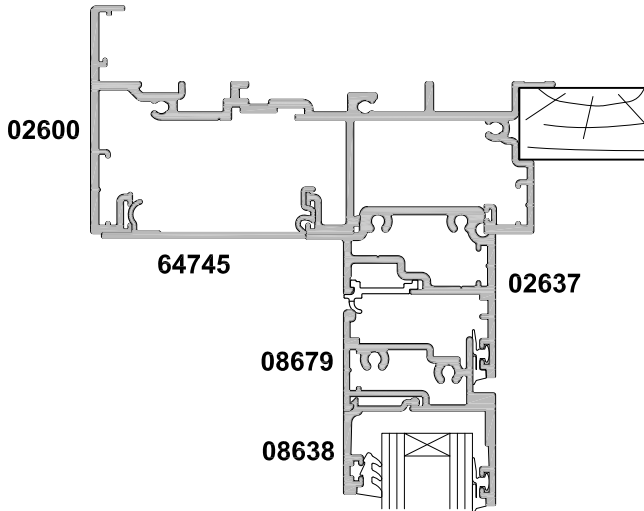
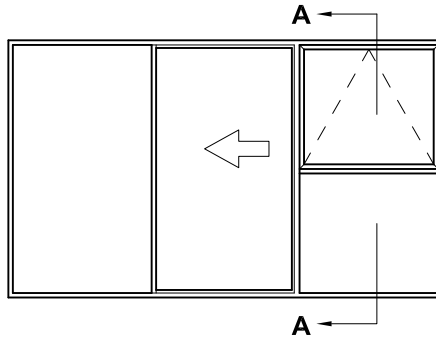


**METRO SERIES
SLIDING DOOR
THREE PANEL FSF
CROSS SECTION**

CAD REF. VMSD07-0

DATE
01.07.16

SCALE
1:2



SECTION A-A

SECTION A-A

METRO NON-FACING SASH / FIXED LIGHT OPTION

FACING SASH / FIXED LIGHT OPTION

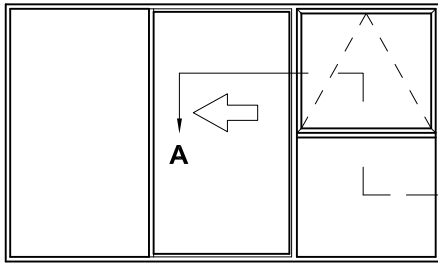


**METRO SERIES
SLIDING DOOR
COUPLED SIDELIGHT OPTIONS
CROSS SECTION**

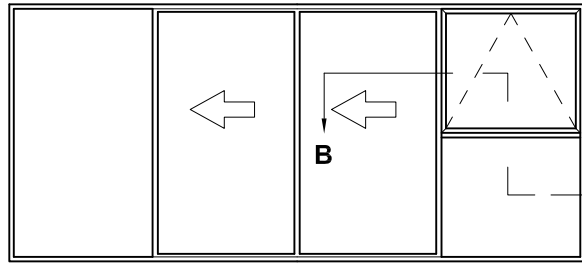
CAD REF. VMSD08-0

DATE
19.09.18

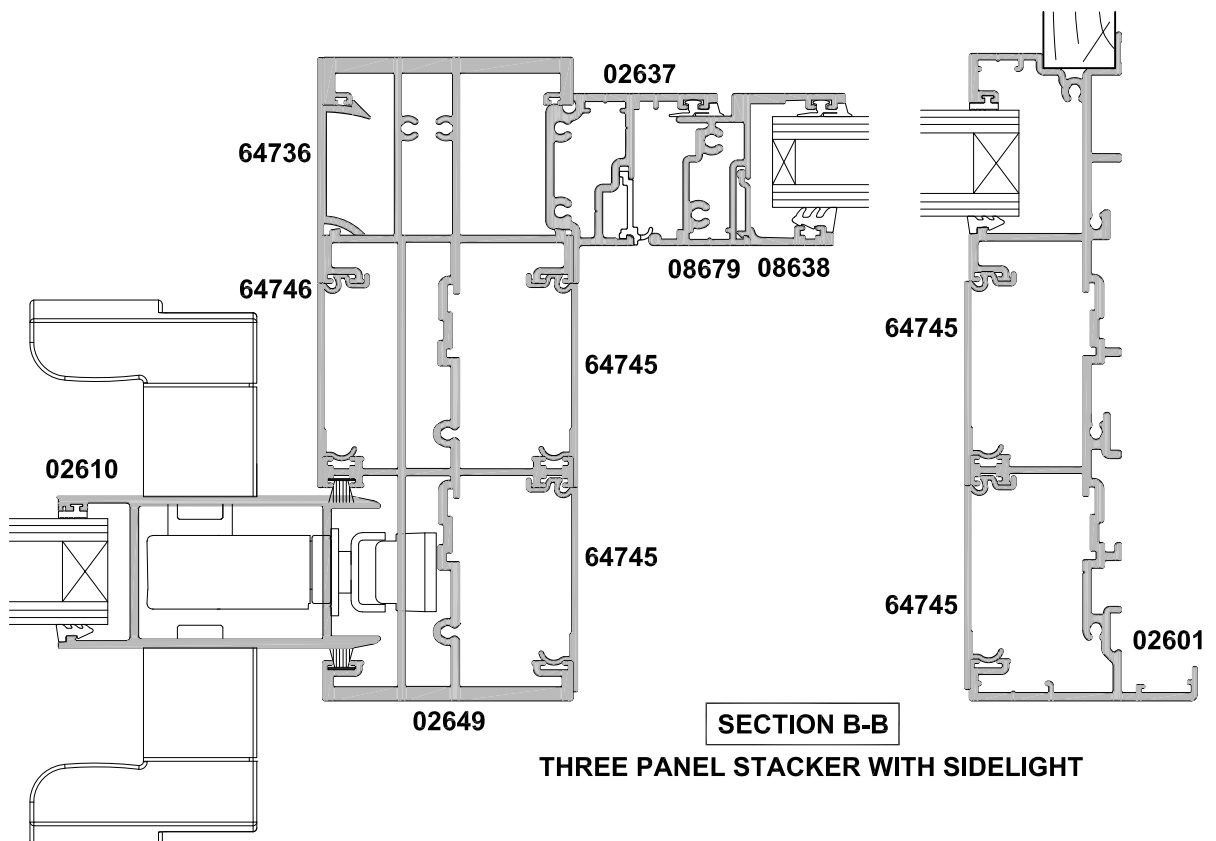
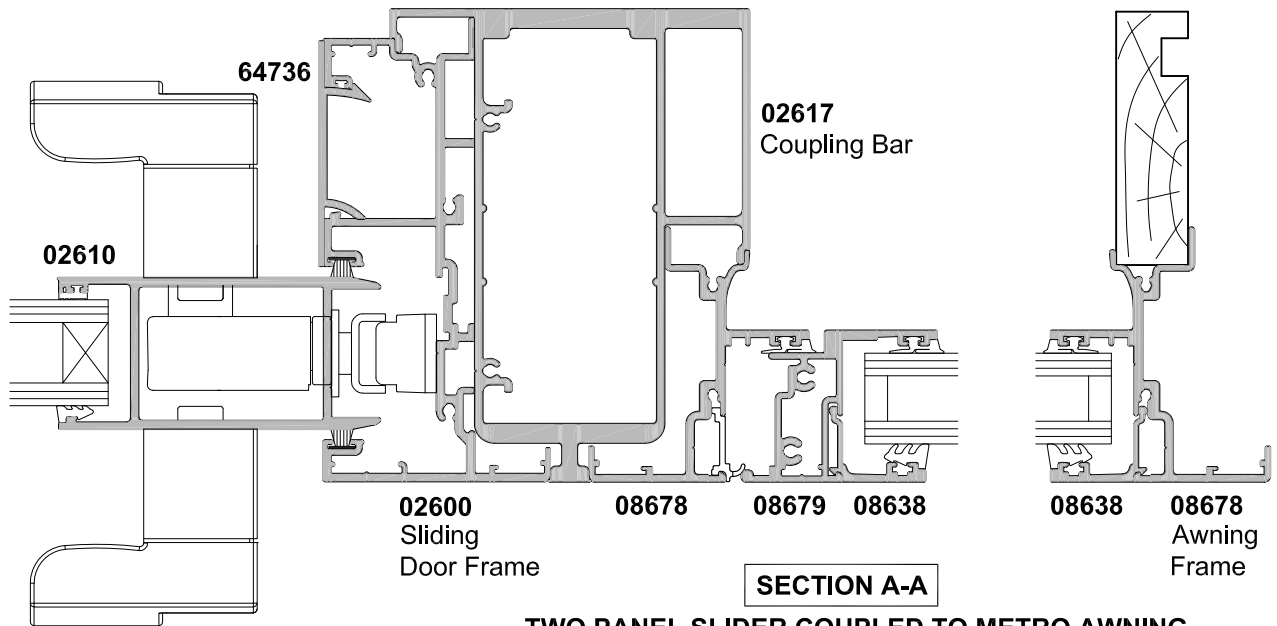
SCALE
1:2



A



B



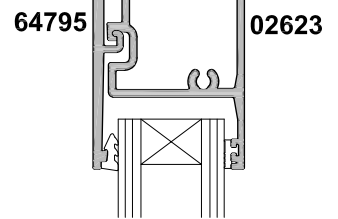
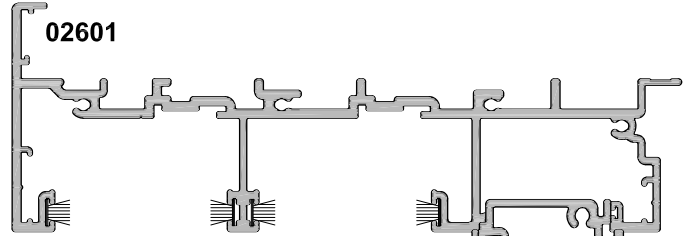
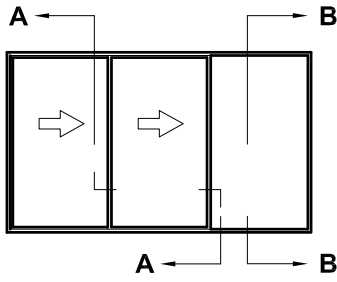


**METRO SERIES
SLIDING DOOR
THREE PANEL SSF
CROSS SECTION**

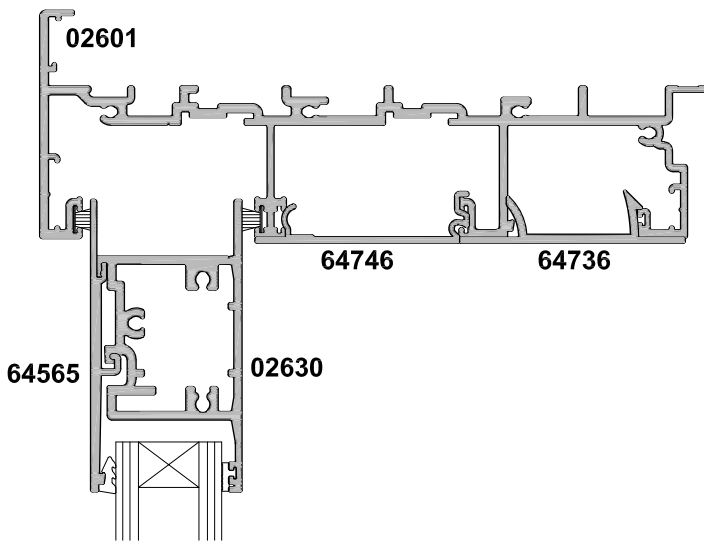
CAD REF. VMSD09-0

DATE
29.09.21

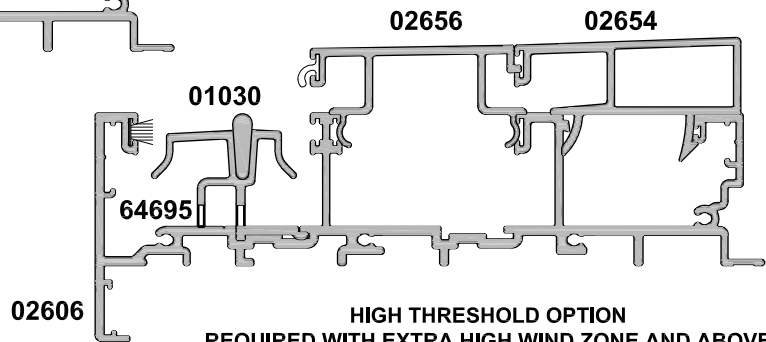
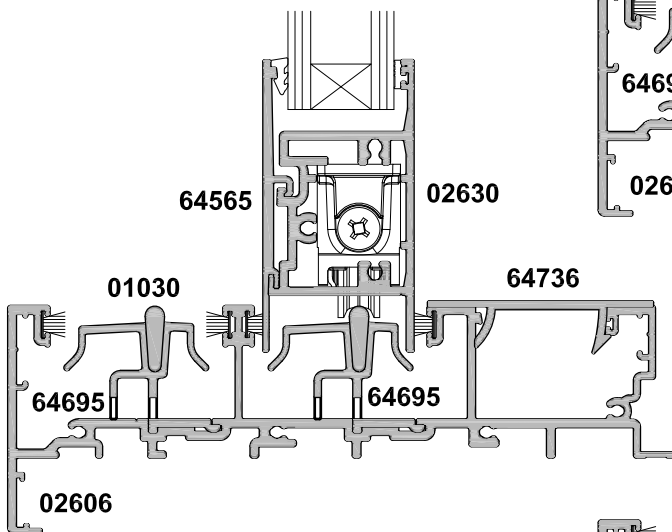
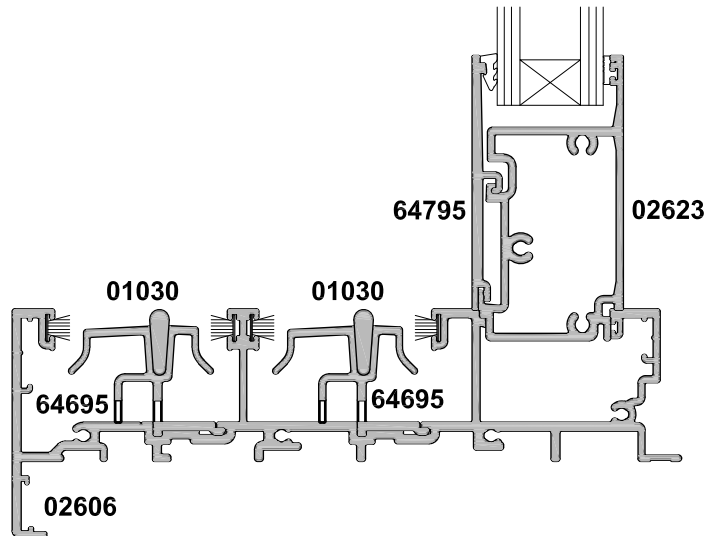
SCALE
1:2



SECTION B-B



SECTION A-A



**HIGH THRESHOLD OPTION
REQUIRED WITH EXTRA HIGH WIND ZONE AND ABOVE**

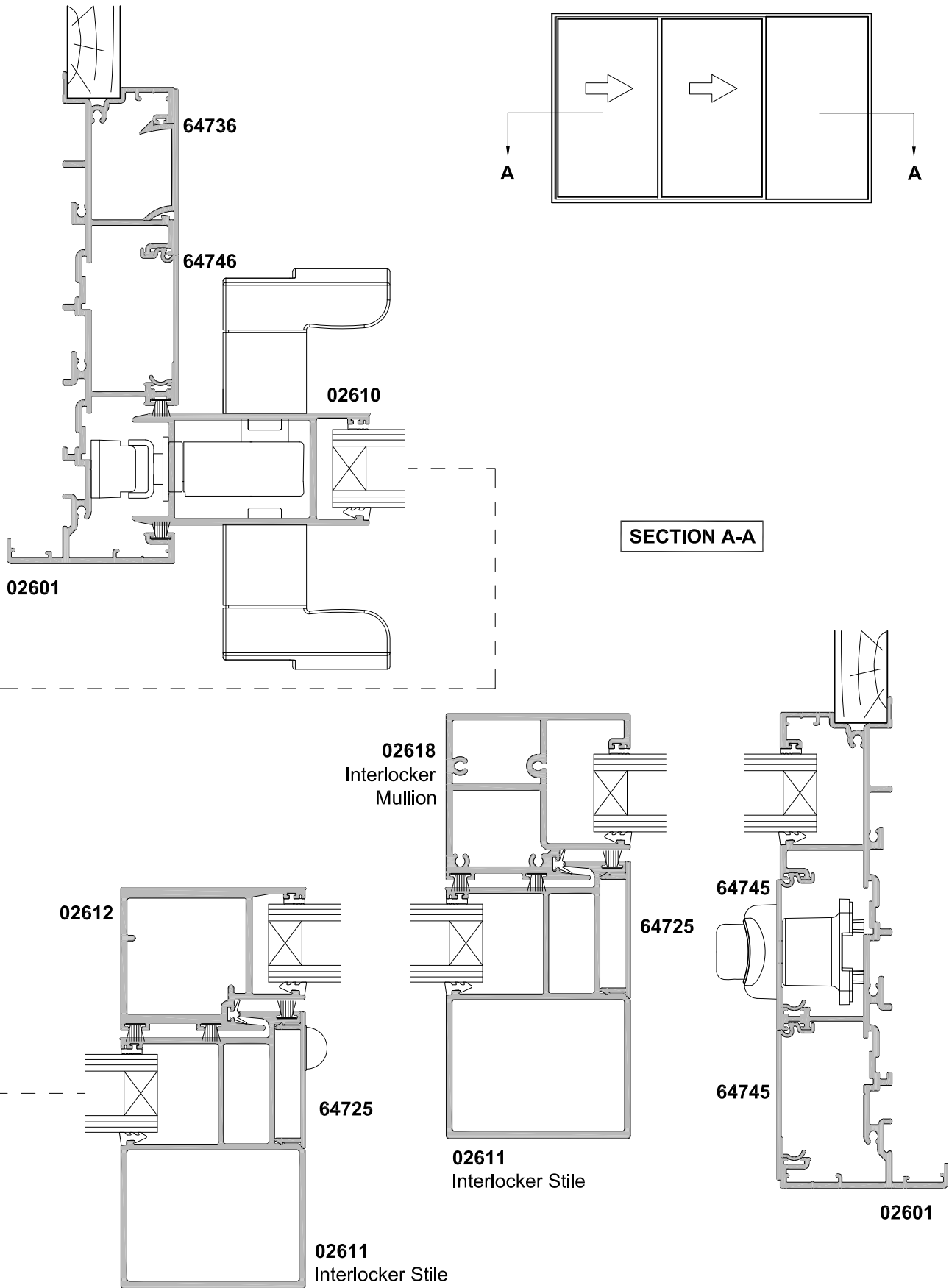


**METRO SERIES
SLIDING DOOR
THREE PANEL SSF
CROSS SECTION**

CAD REF. VMSD10-0

DATE
01.07.16

SCALE
1:2



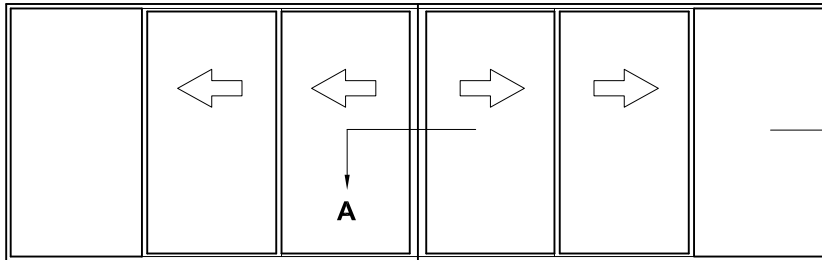


**METRO SERIES
SLIDING DOOR
SIX PANEL FSS / SSF
CROSS SECTION**

CAD REF. VMSD11-0

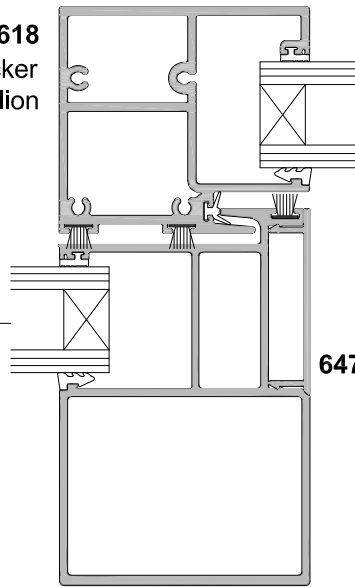
DATE
05.02.19

SCALE
1:2



SECTION A-A

02618
Interlocker
Mullion

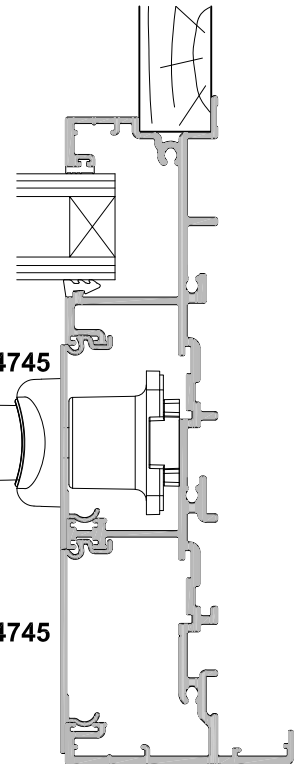


64725

02611
Interlocker
Stile

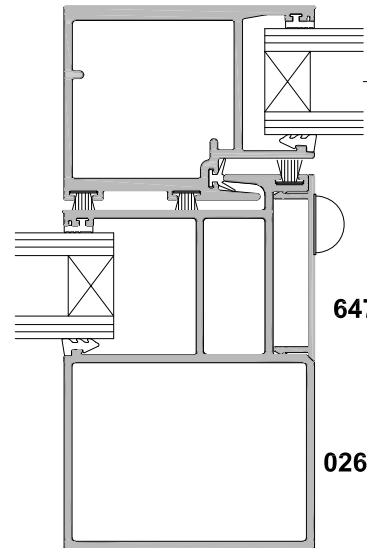
64745

64745



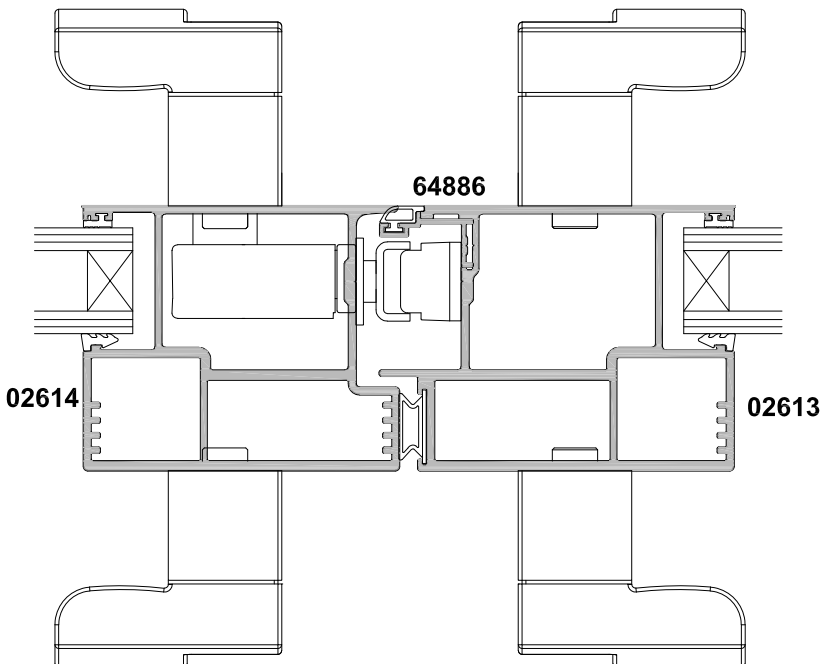
02601

02612
Reverse Interlocker
Stile



64725

02611



64886

02614

02613

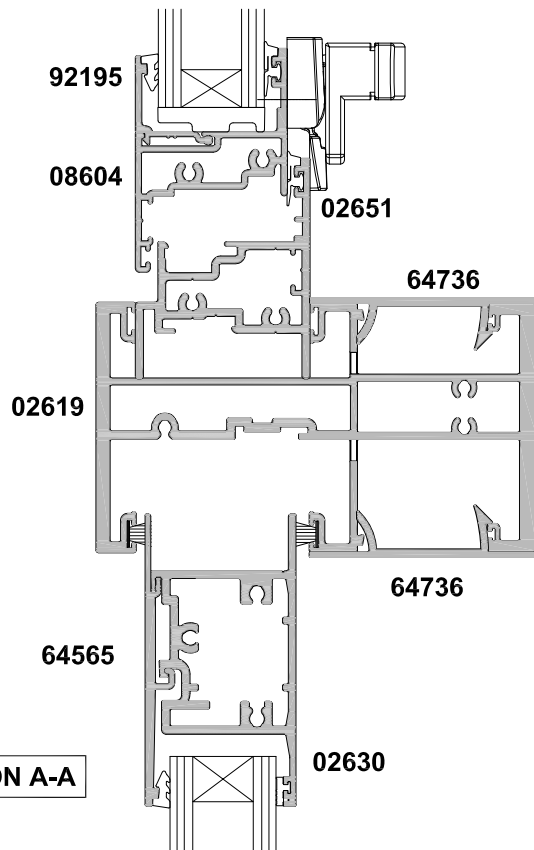
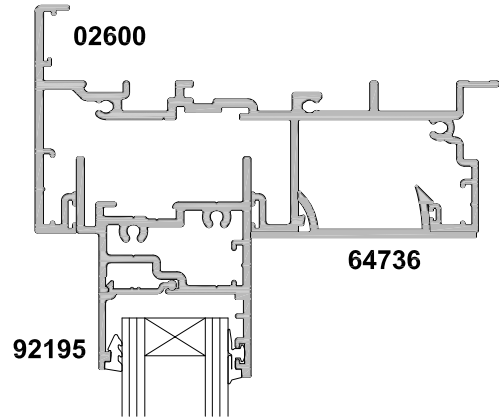
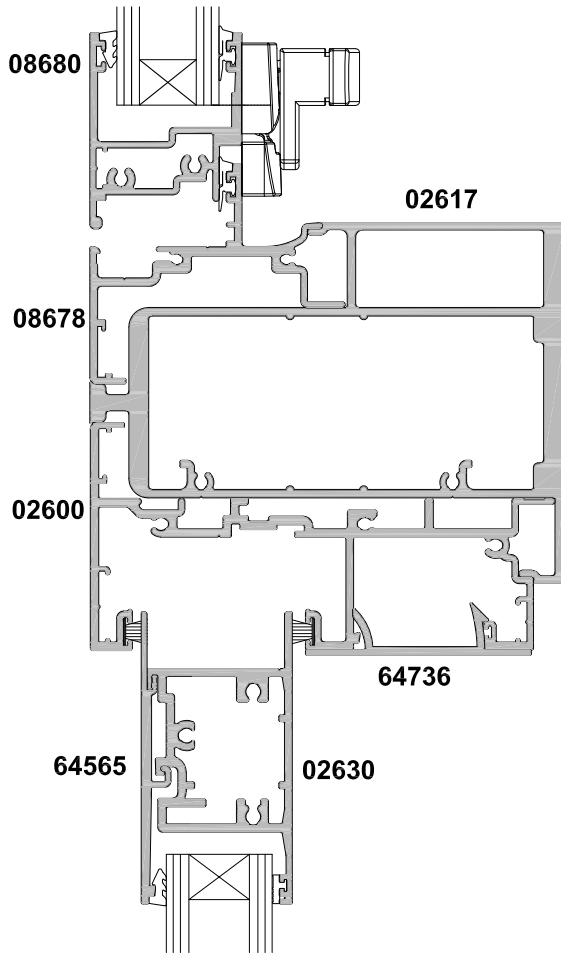
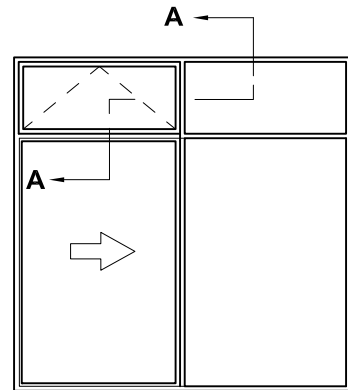
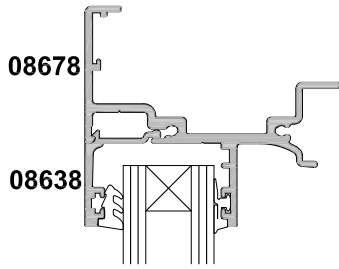


**METRO SERIES
SLIDING DOOR
OVERLIGHT OPTIONS
CROSS SECTION**

CAD REF. VMSD12-0

DATE
06.07.20

SCALE
1:2



SECTION A-A

**COUPLED METRO
AWNING FRAME**

SECTION A-A

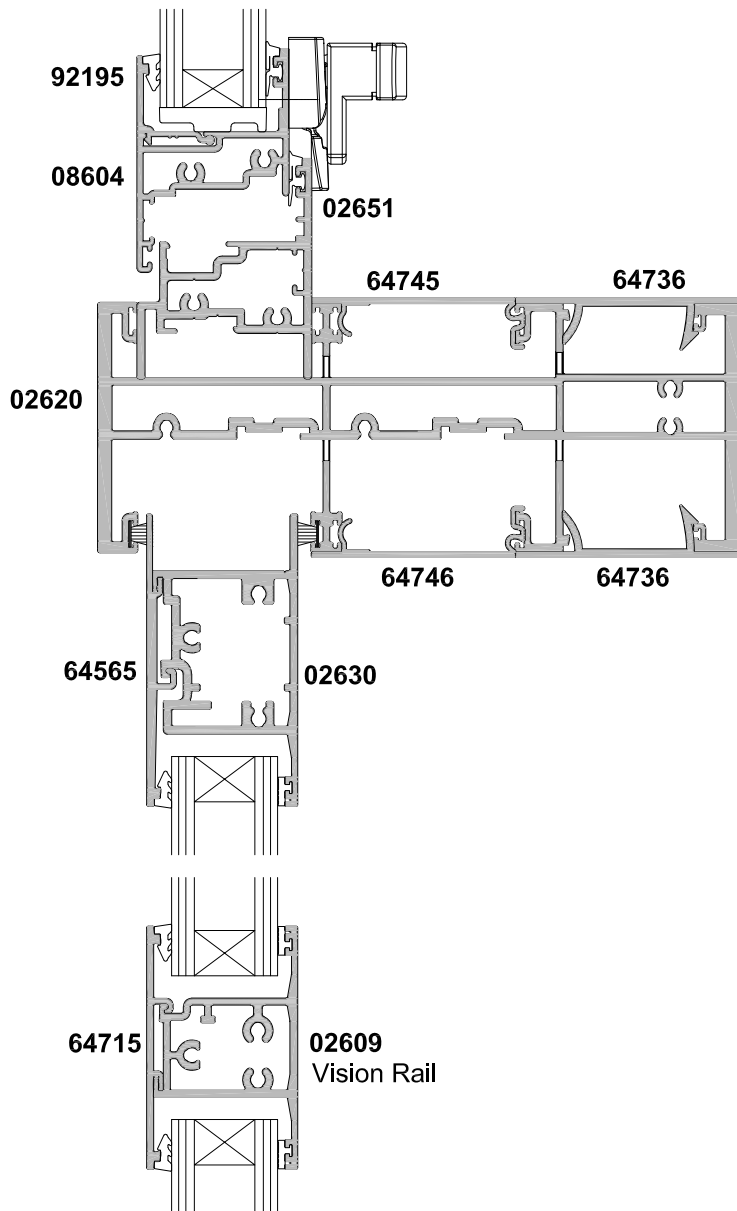
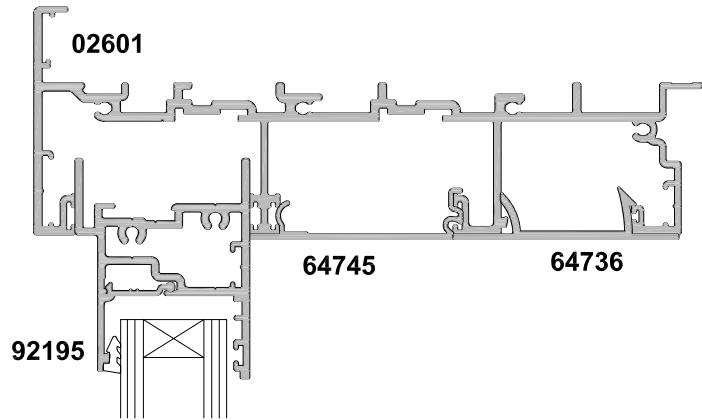
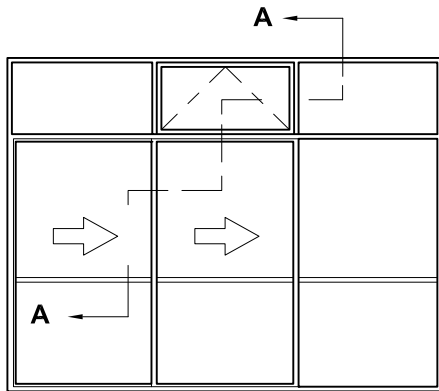


METRO SERIES SLIDING DOOR OVERLIGHT OPTIONS CROSS SECTION

CAD REF. VMSD13-0

DATE
06.07.20

SCALE
1:2



SECTION A-A

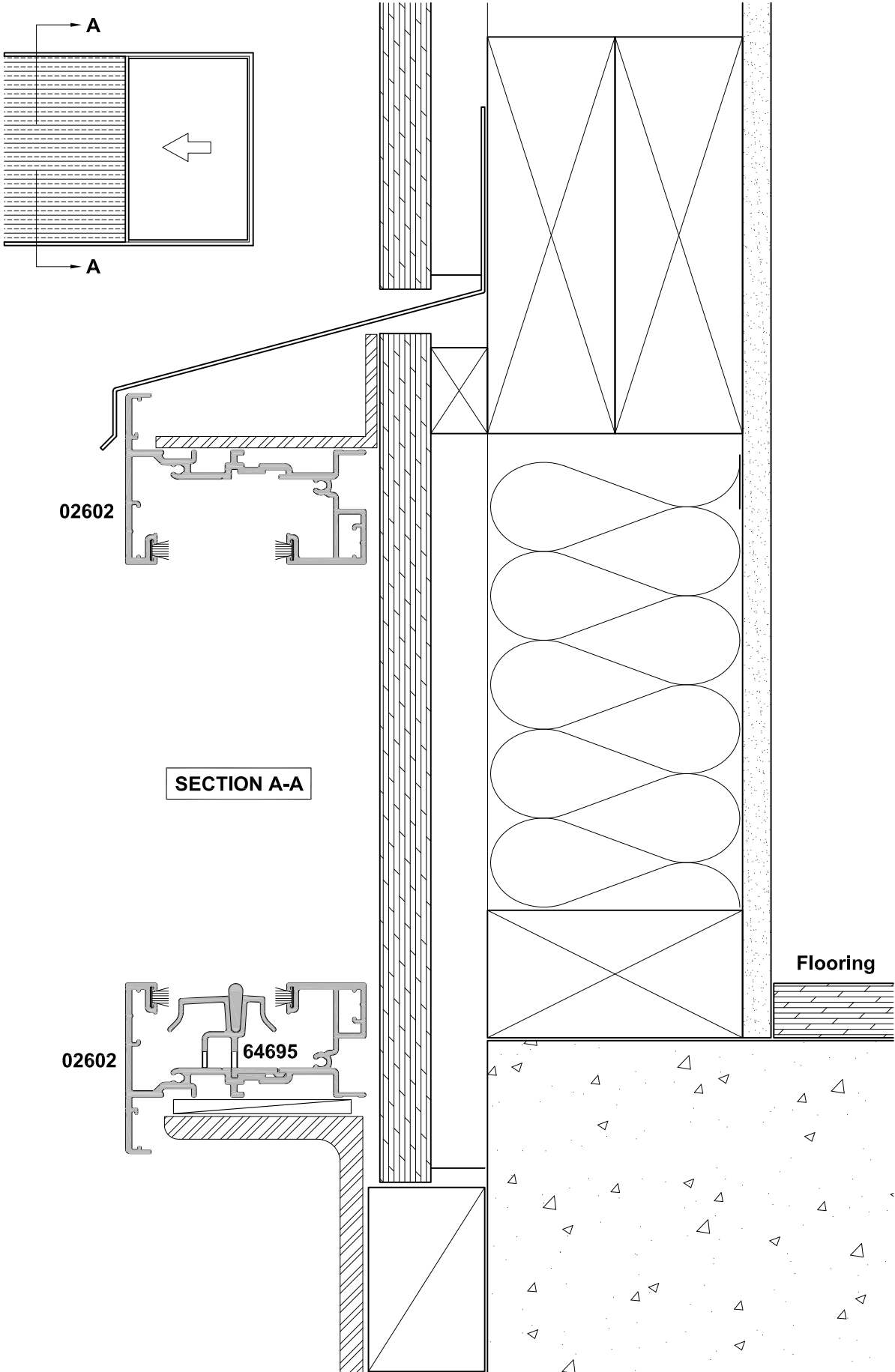


**METRO SERIES
SLIDING DOOR
SINGLE PANEL OVERWALL
CROSS SECTION**

CAD REF. VMSD14-0

DATE
01.07.16

SCALE
1:2



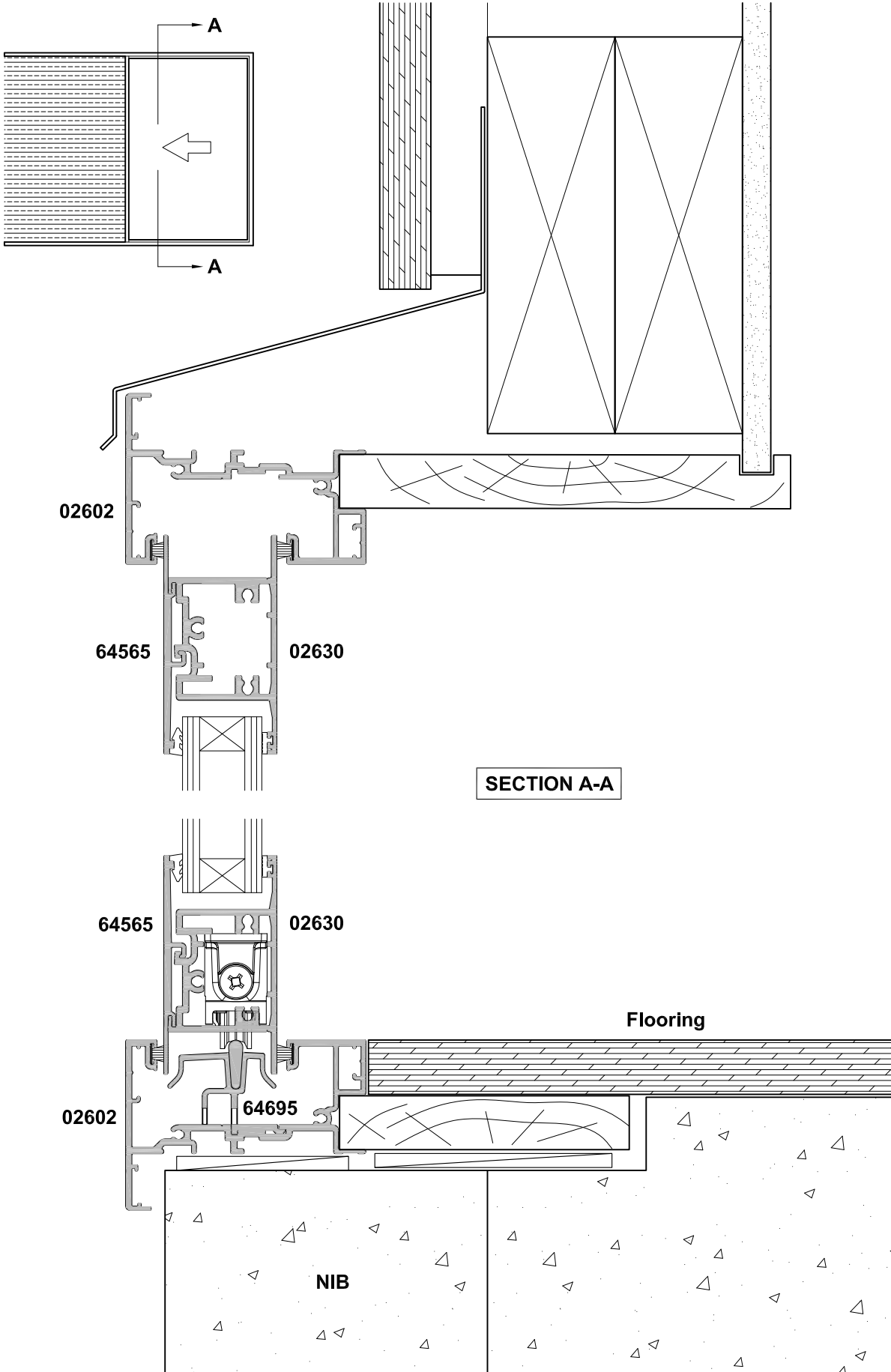


**METRO SERIES
SLIDING DOOR
SINGLE PANEL OVERWALL
CROSS SECTION**

CAD REF. VMSD15-0

DATE
10.05.18

SCALE
1:2



SECTION A-A

Flooring

NIB

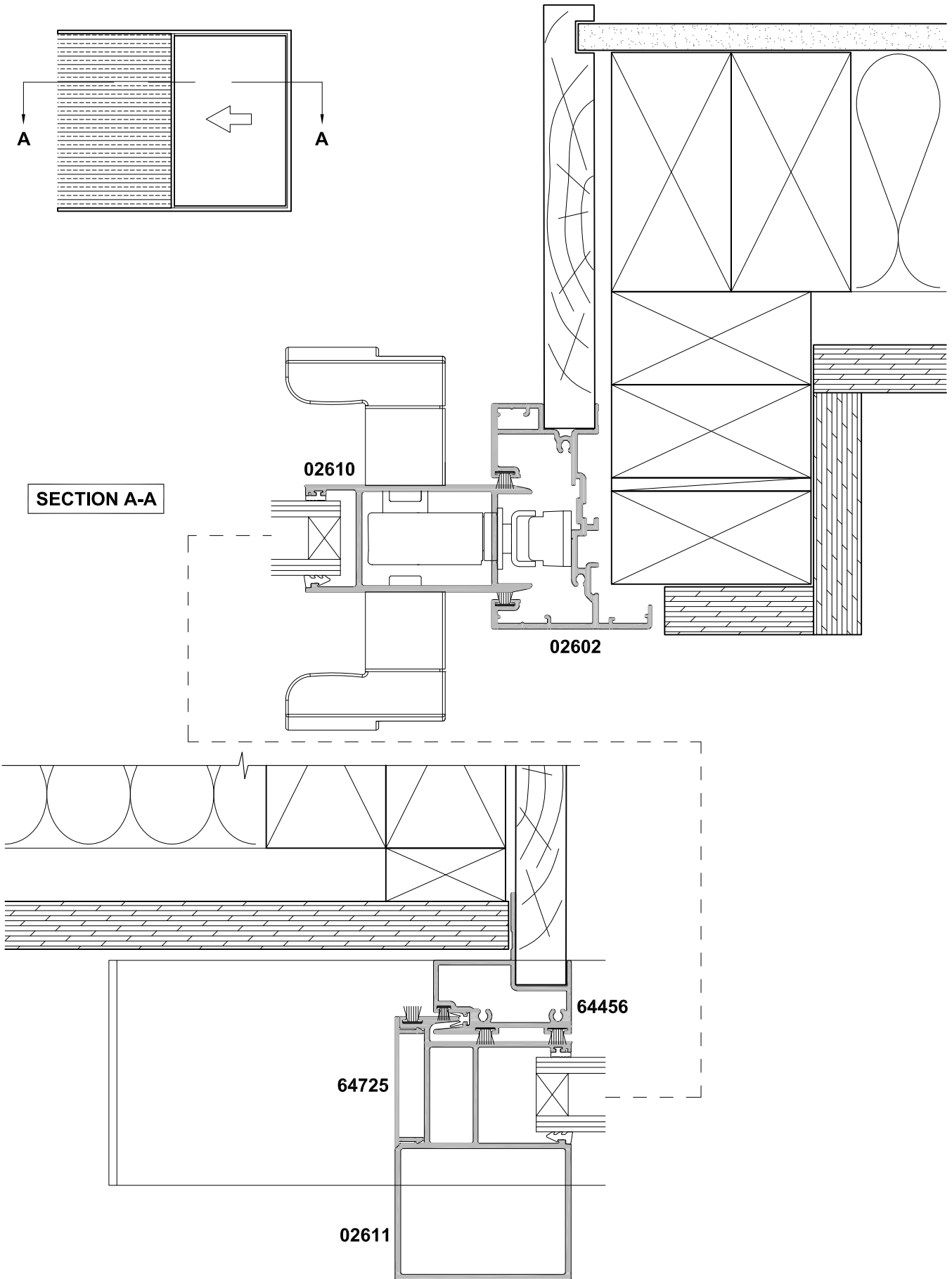


**METRO SERIES
SLIDING DOOR
SINGLE PANEL OVERWALL
CROSS SECTION**

CAD REF. VMSD16-0

DATE
01.07.16

SCALE
1:2



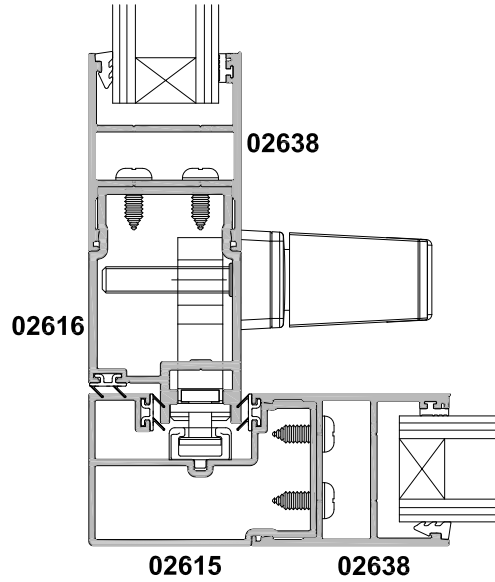
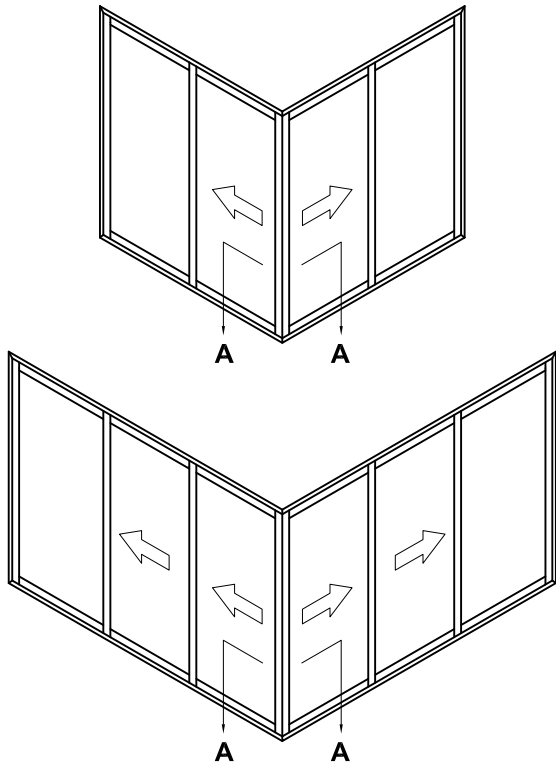


**METRO SERIES
SLIDING DOOR
90° CORNER OPTIONS
CROSS SECTION**

CAD REF. VMSD17-0

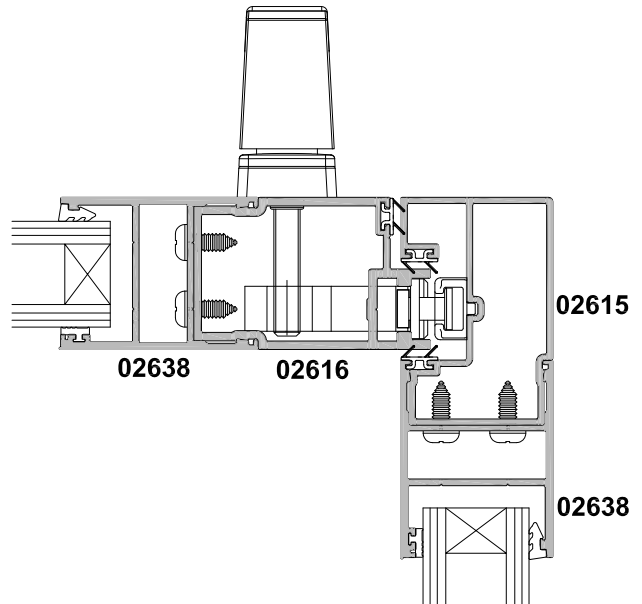
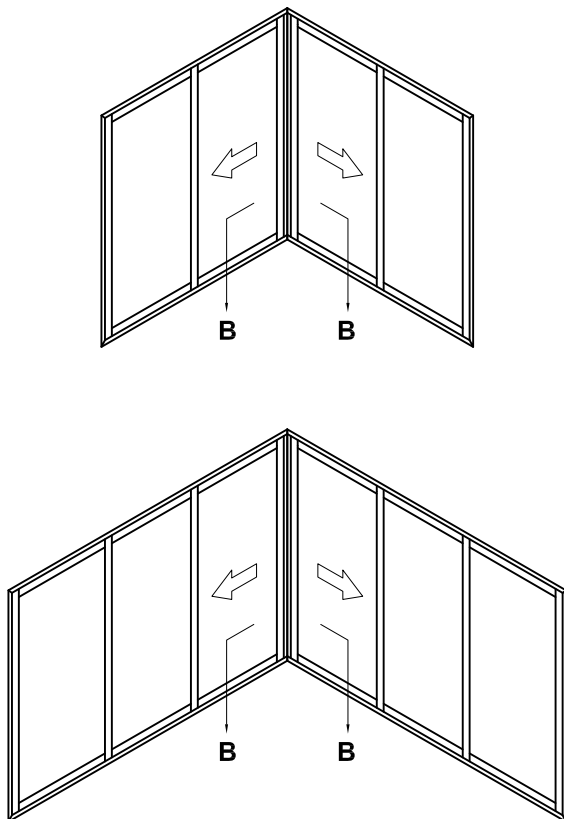
DATE
01.07.16

SCALE
1:2



SECTION A-A

90° EXTERNAL CORNER



SECTION B-B

90° INTERNAL CORNER

Contact APL Technical Advisory Service for more information

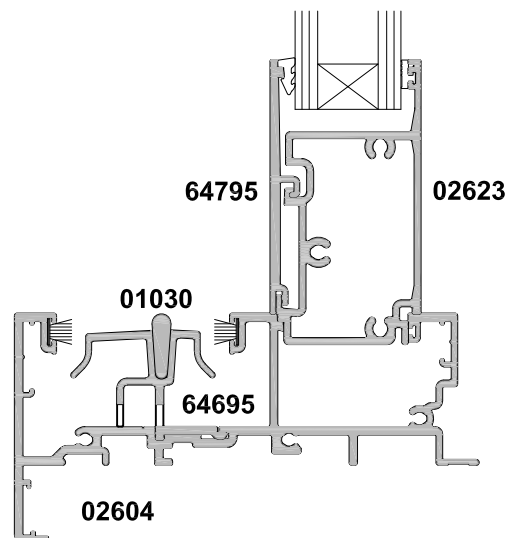
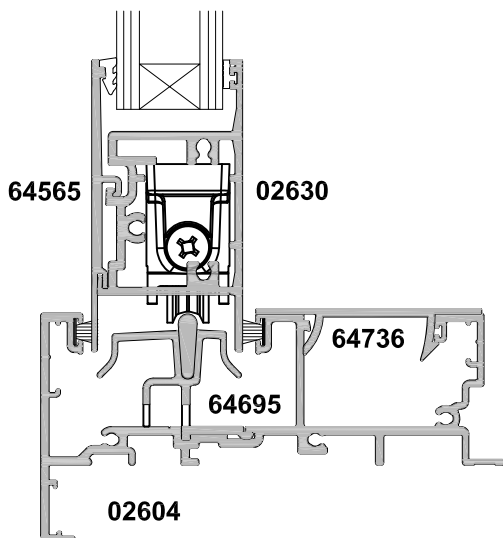
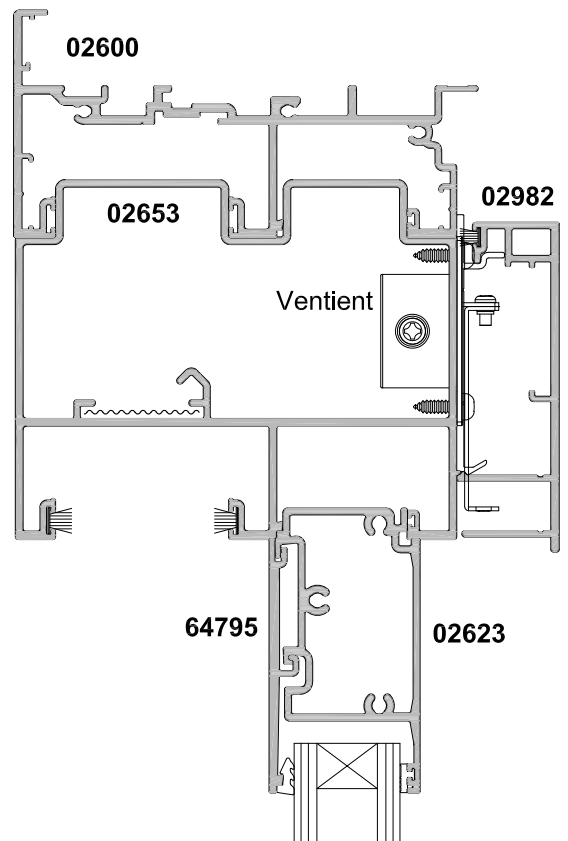
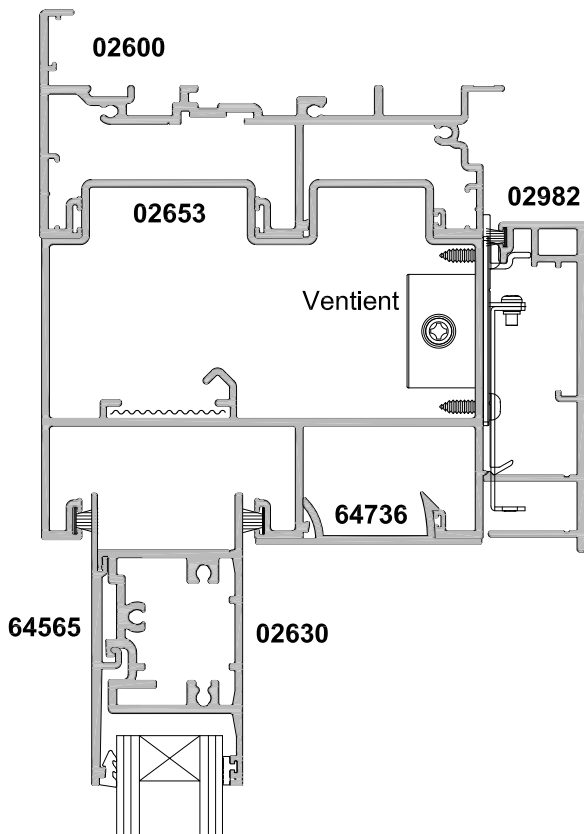


**METRO SERIES
SLIDING DOOR
VENTIENT
CROSS SECTION**

CAD REF. VMSD18-0

DATE
01.08.18

SCALE
1:2



Contact APL Technical Advisory Service for more information

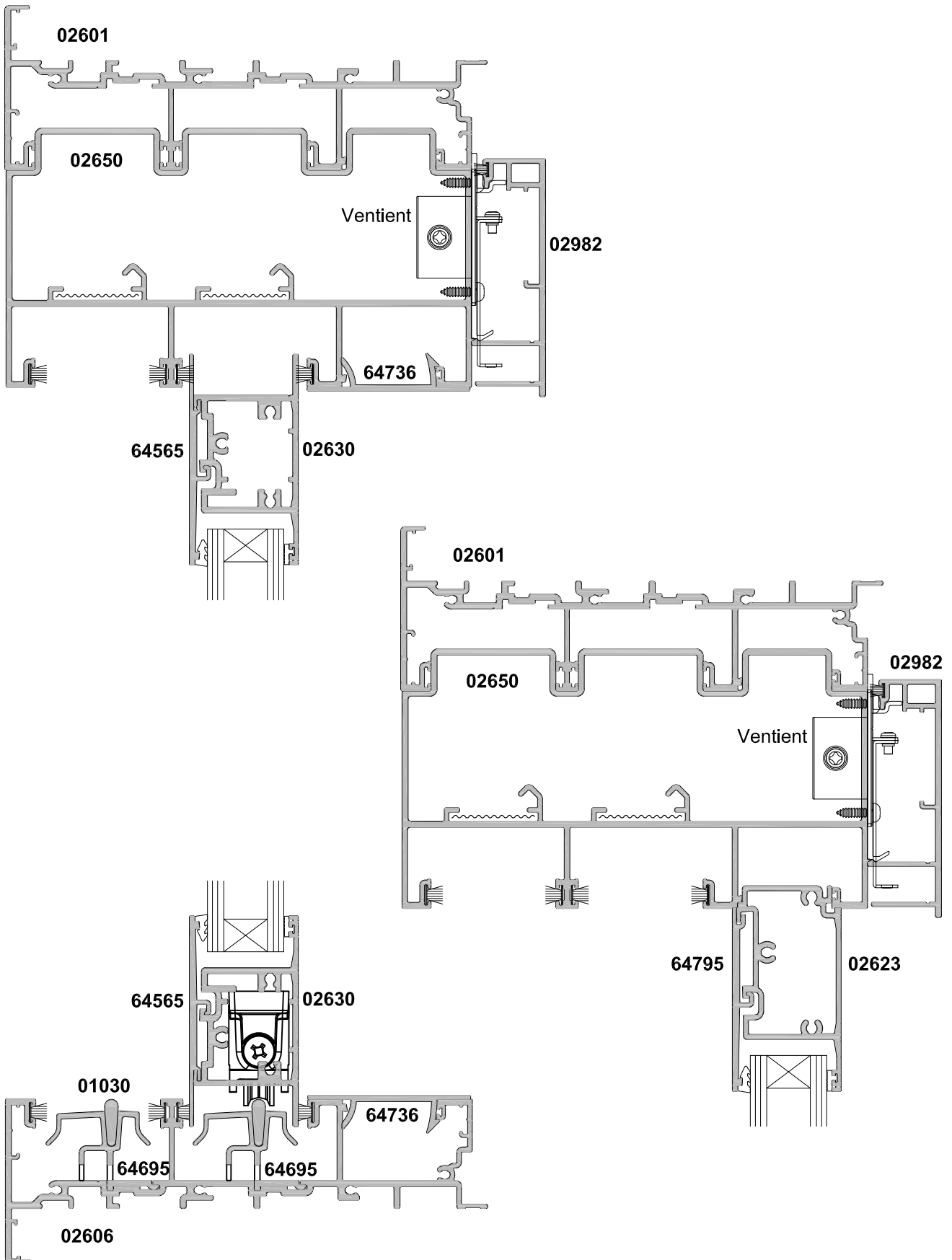


**METRO SERIES
MULTISLIDING DOOR
VENTIENT
CROSS SECTION**

CAD REF. VMSD19-0

DATE
01.08.18

SCALE
1:2



Contact APL Technical Advisory Service for more information

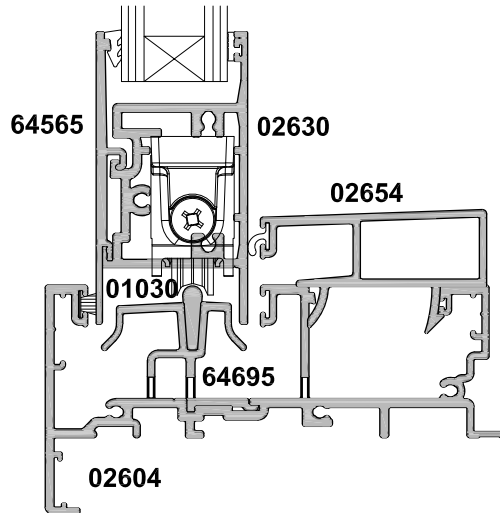
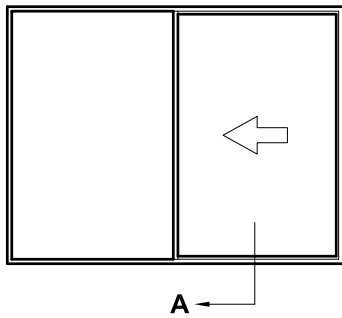


**METRO SERIES
SLIDING DOOR
HIGH THRESHOLD OPTION
CROSS SECTION**

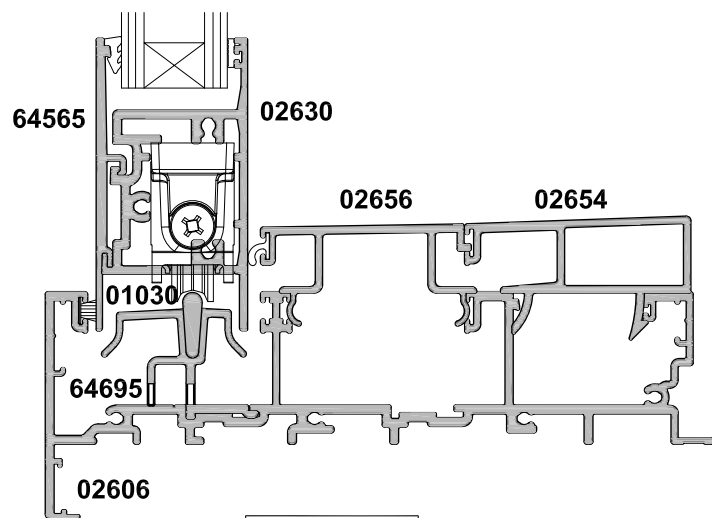
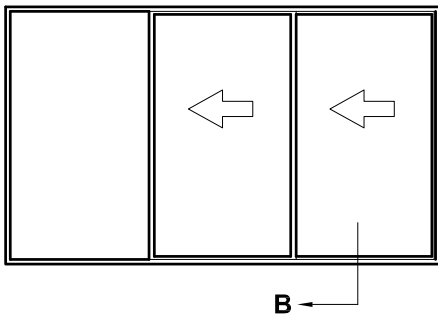
CAD REF. VMSD20-0

DATE
01.05.21

SCALE
1:2



SECTION A



SECTION B