

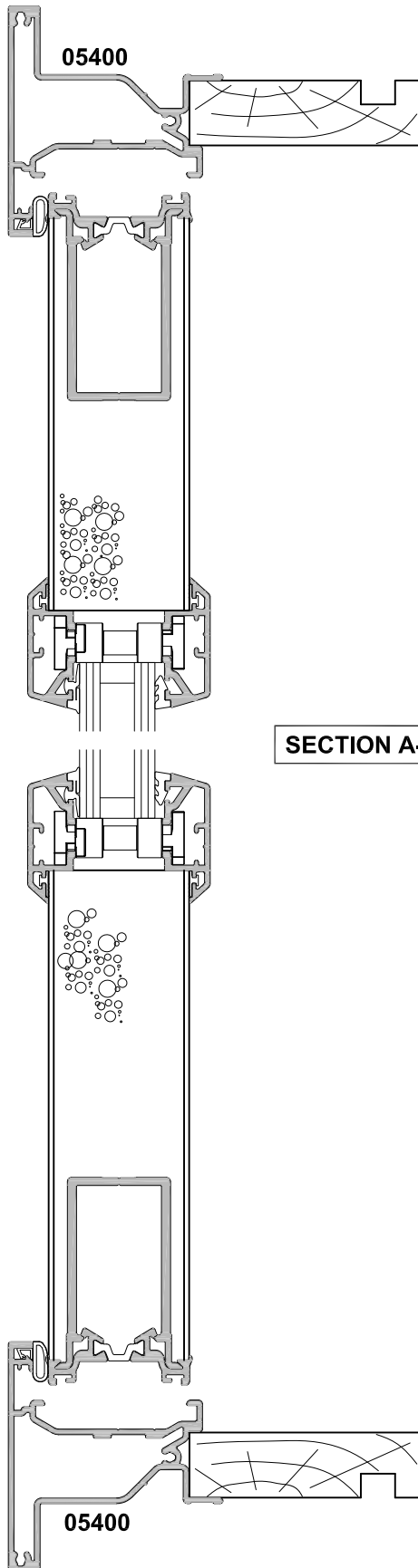


**AXIS ENTRANCE DOOR**  
**GLAZED & SOLID CORE PANEL**  
CROSS SECTION

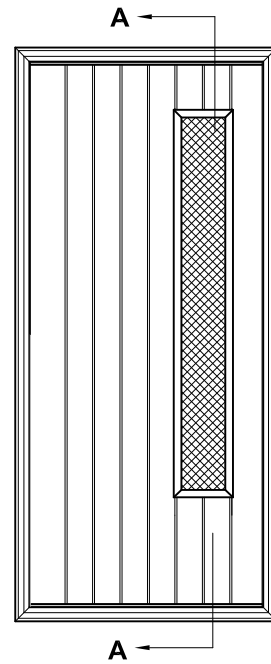
CAD REF. VAD01-0

DATE  
01.04.19

SCALE  
1:2



SECTION A-A



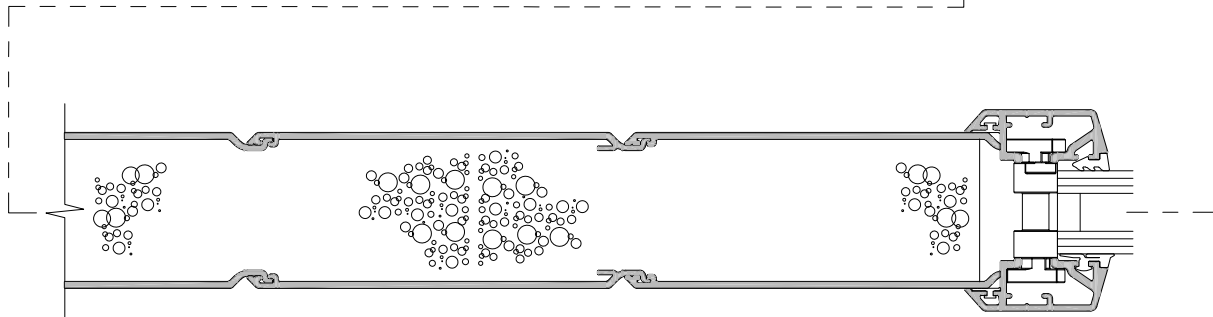
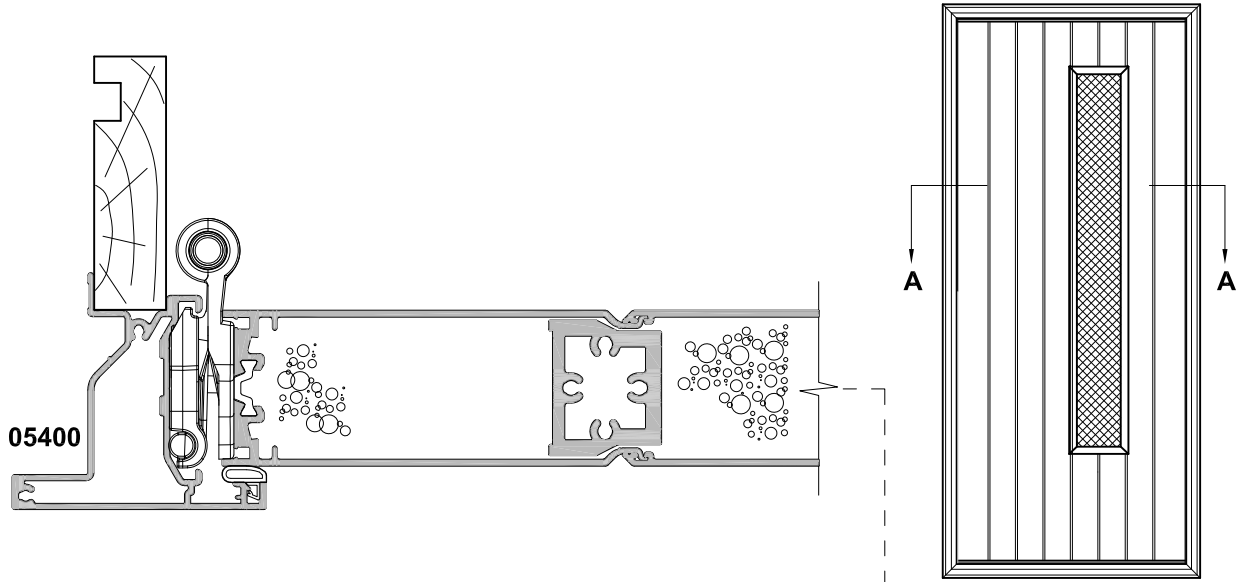


**AXIS ENTRANCE DOOR**  
**GLAZED & SOLID CORE PANEL**  
CROSS SECTION

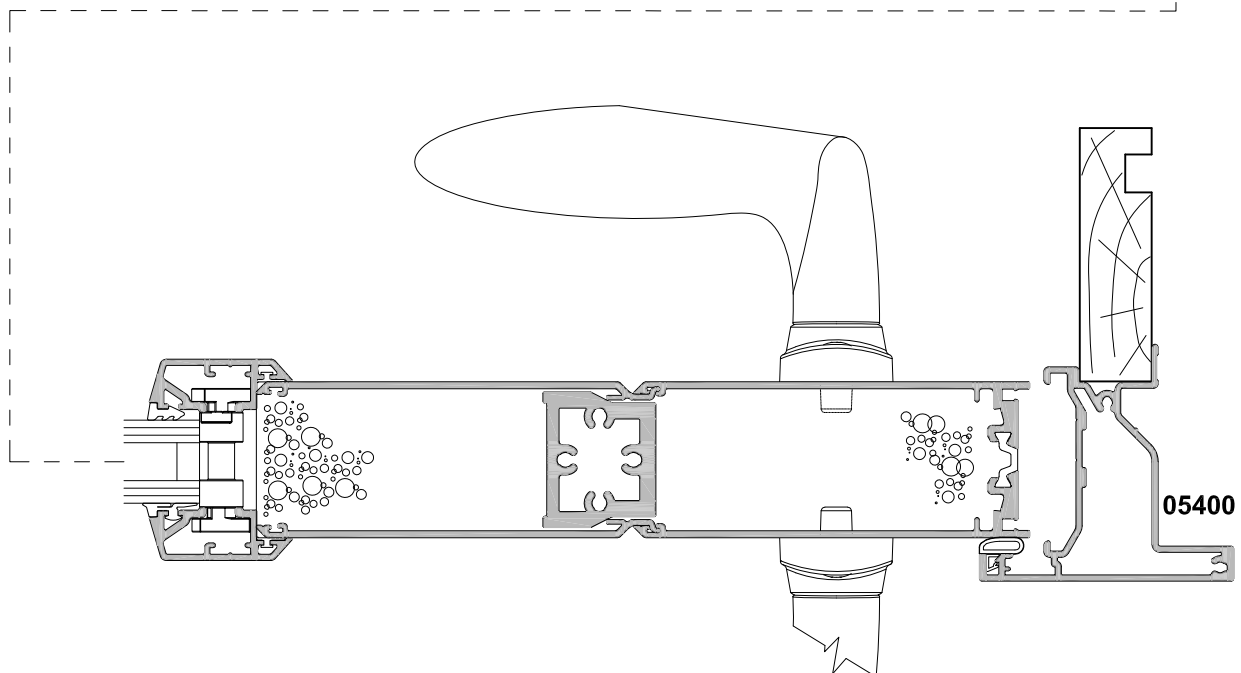
CAD REF. VAD02-0

DATE  
01.04.19

SCALE  
1:2



**SECTION A-A**



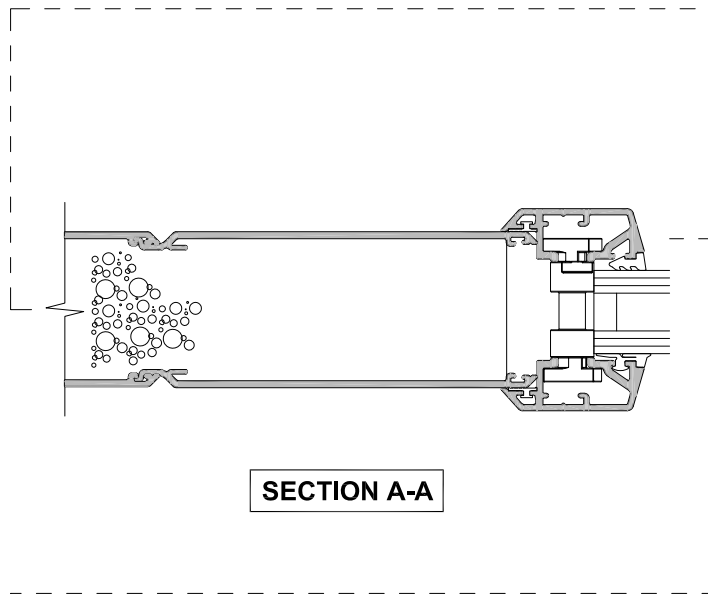
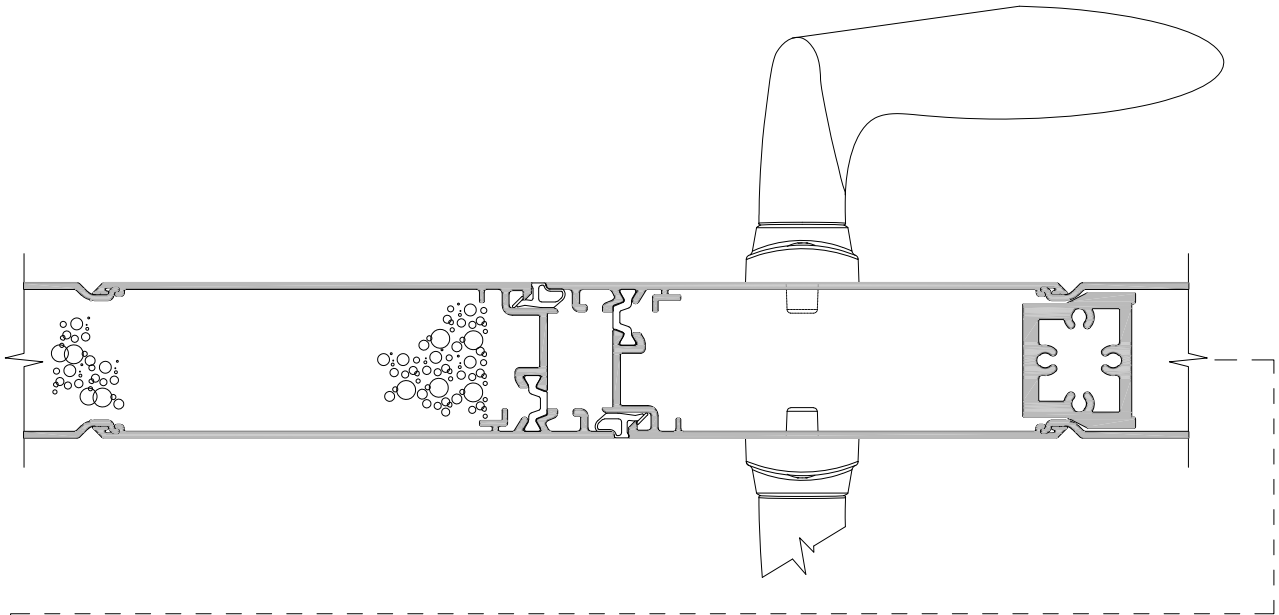


**AXIS ENTRANCE DOOR**  
**GLAZED & SOLID FRENCH DOOR**  
CROSS SECTION

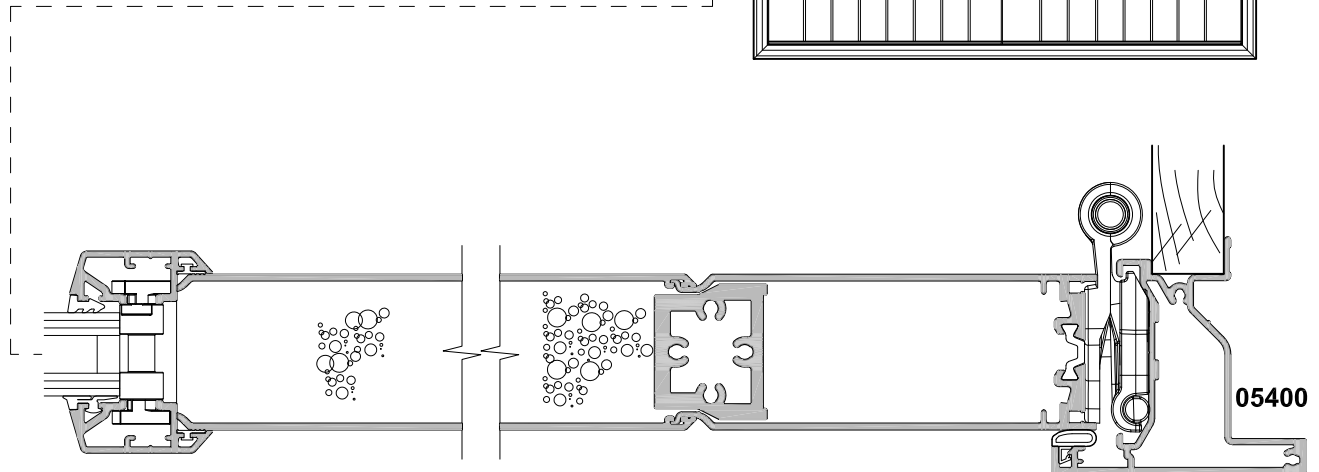
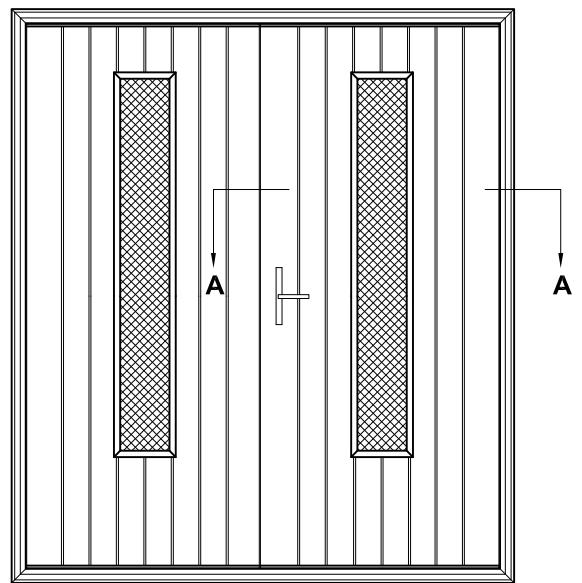
CAD REF. VAD03-0

DATE  
01.04.19

SCALE  
1:2



SECTION A-A



05400