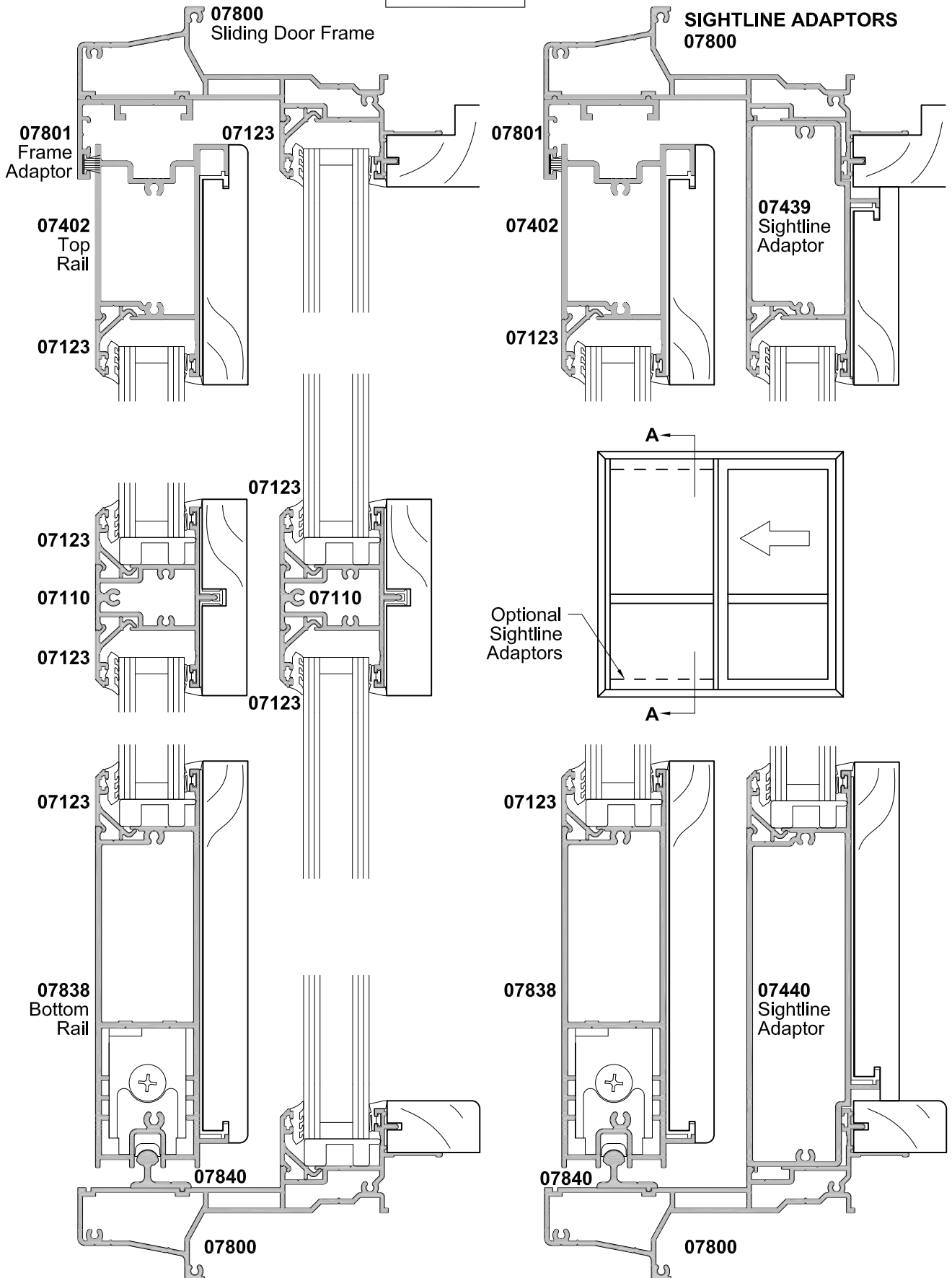




SLIDING DOOR, 2 PANEL FS CROSS SECTION

Cad Ref. SSD02-0 Scale 1:2 Date 01.06.11

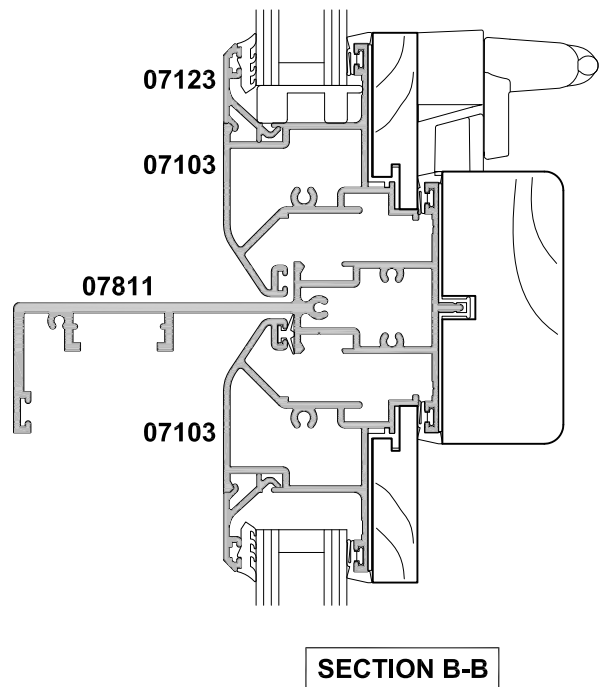
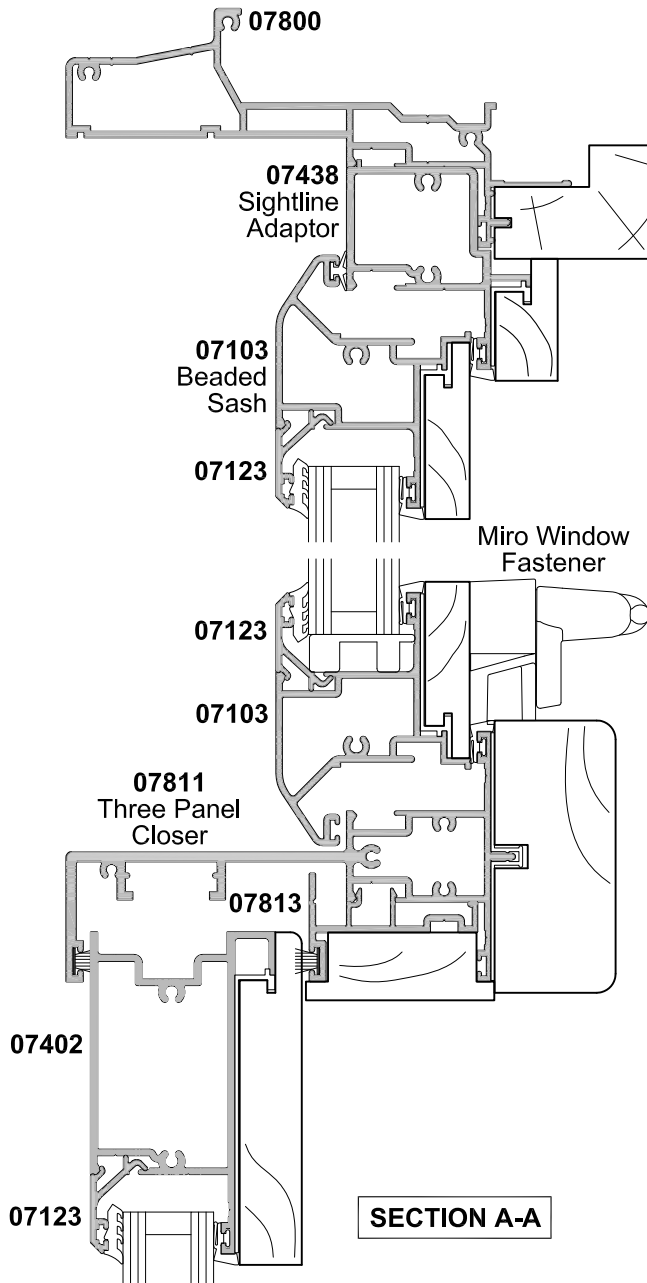
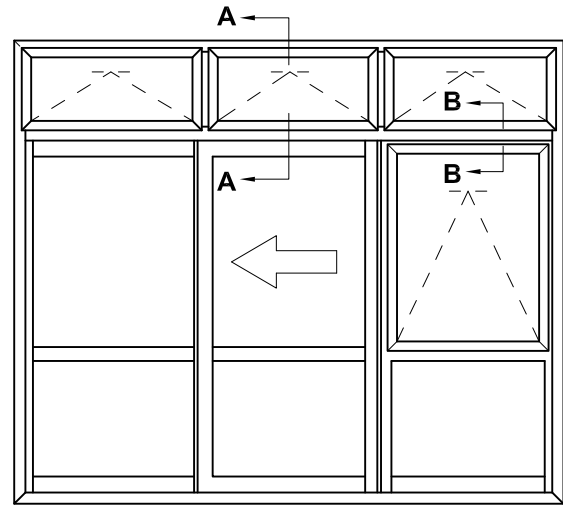
SECTION A-A





SLIDING DOOR, 3 PANEL FSF WITH OVERLIGHT AND AWNING SASH - CROSS SECTION

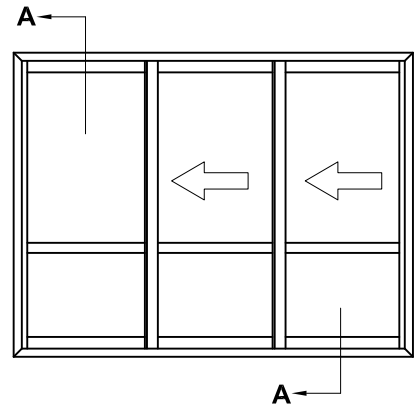
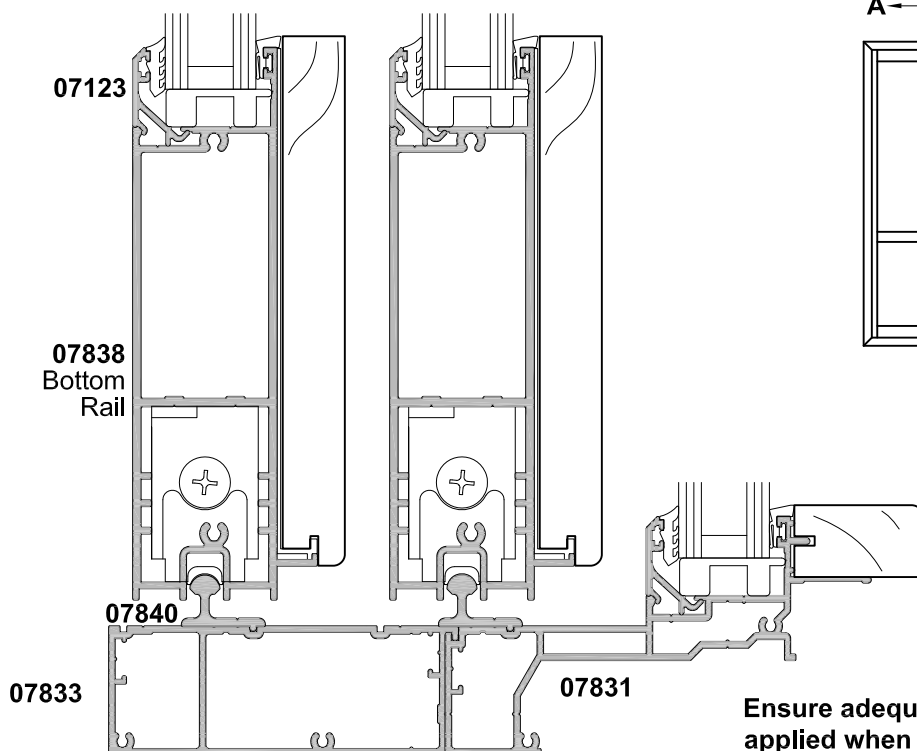
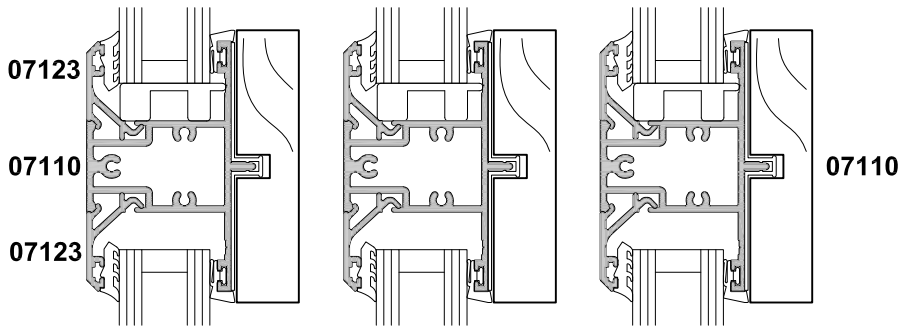
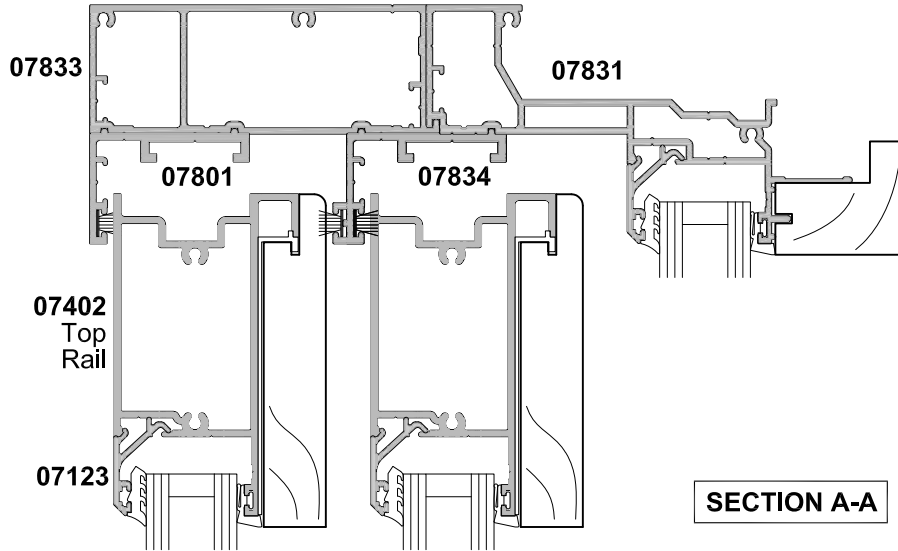
Cad Ref. SSD03-0 Scale 1:2 Date 01.06.11





SLIDING DOOR, 3 PANEL FSS CROSS SECTION

Cad Ref. SSD04-0 Scale 1:2 Date 01.06.11

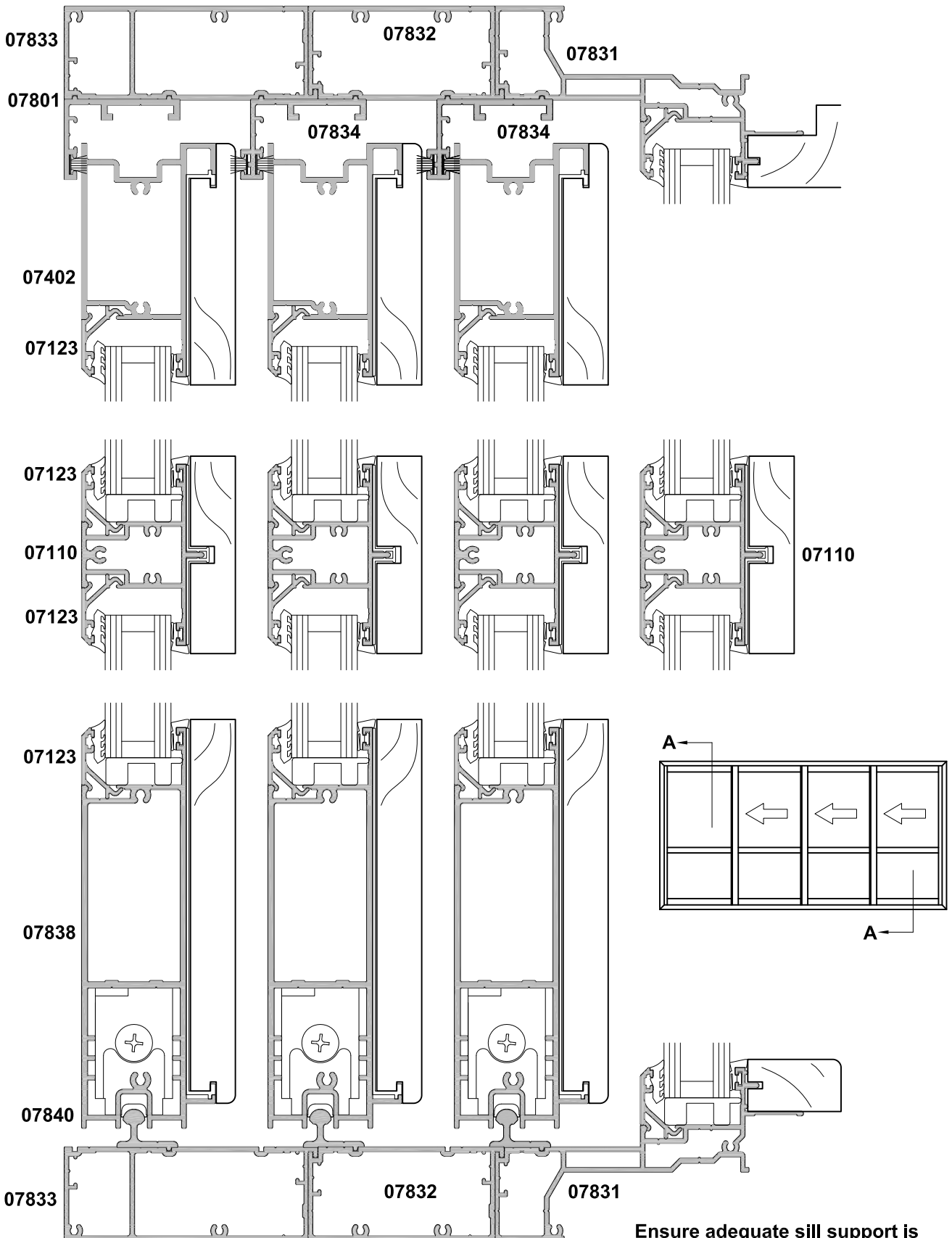


Ensure adequate sill support is applied when unit installed



SLIDING DOOR, 4 PANEL FSSS CROSS SECTION

Cad Ref. SSD05-0 Scale 1:2 Date 01.06.11

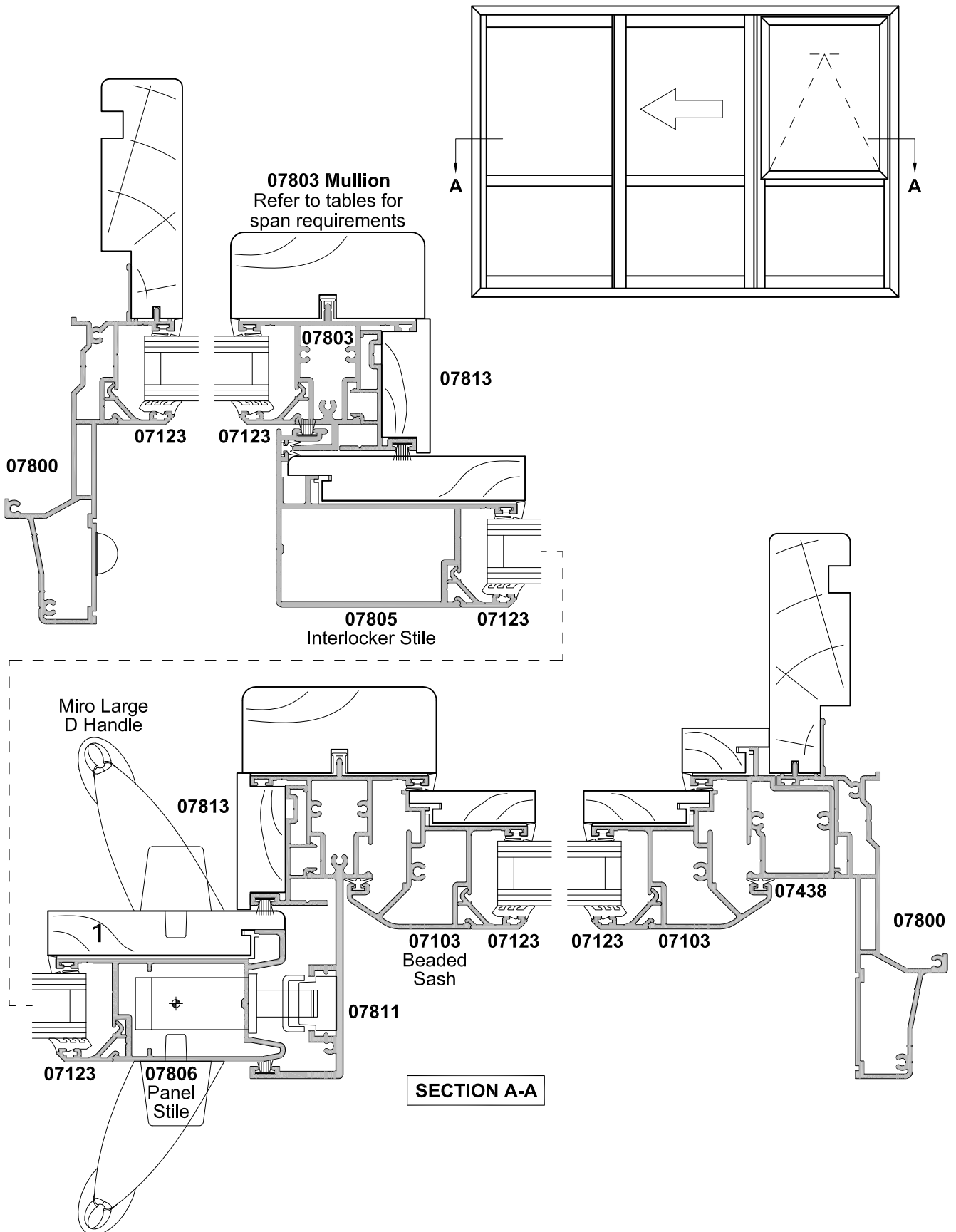


Ensure adequate sill support is applied when unit installed



SLIDING DOOR, 3 PANEL FSF AND AWNING SASH CROSS SECTION

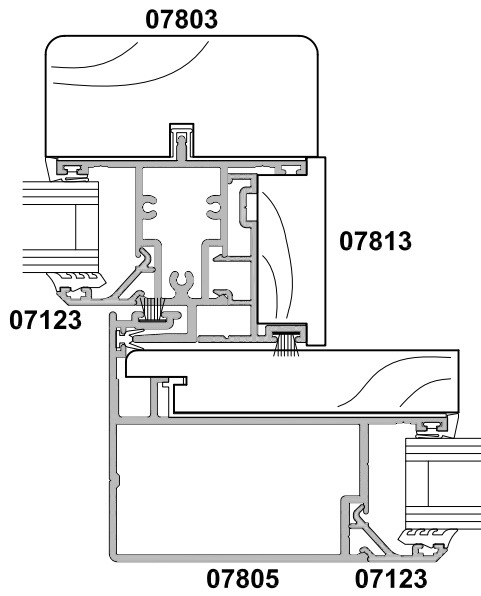
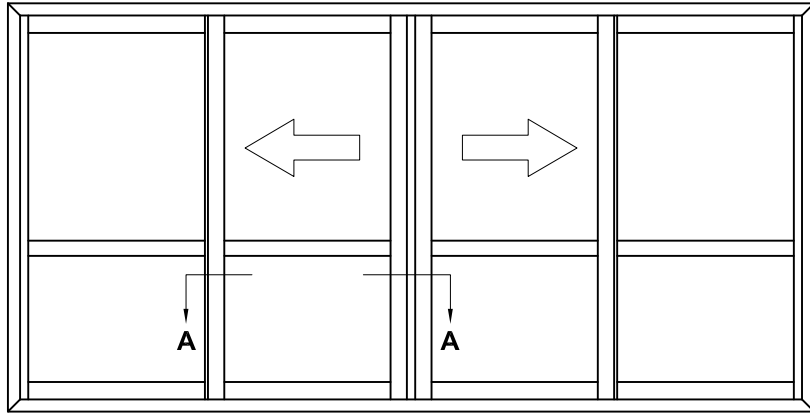
Cad Ref. SSD06-0 Scale 1:2 Date 01.06.11



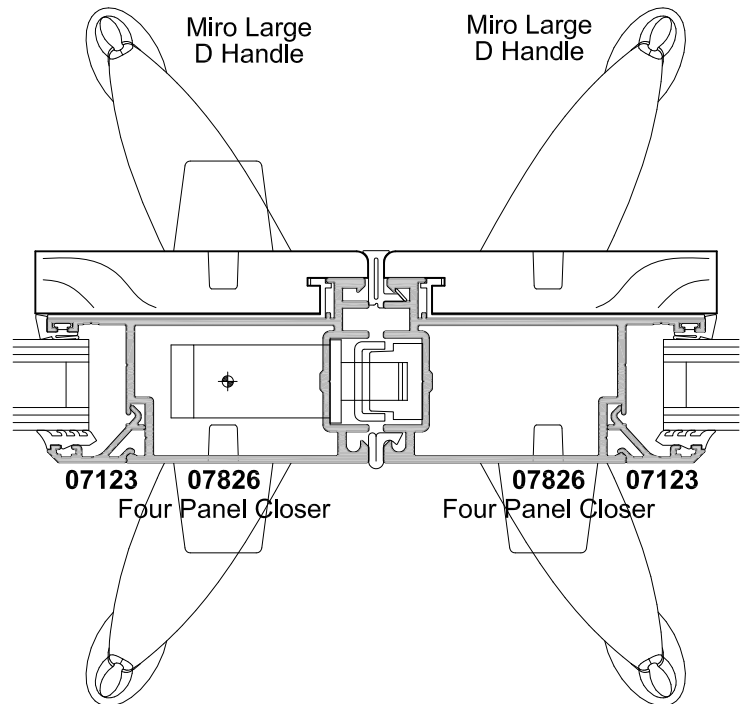


SLIDING DOOR, 4 PANEL FSSF CROSS SECTION

Cad Ref. SSD07-0 Scale 1:2 Date 01.06.11



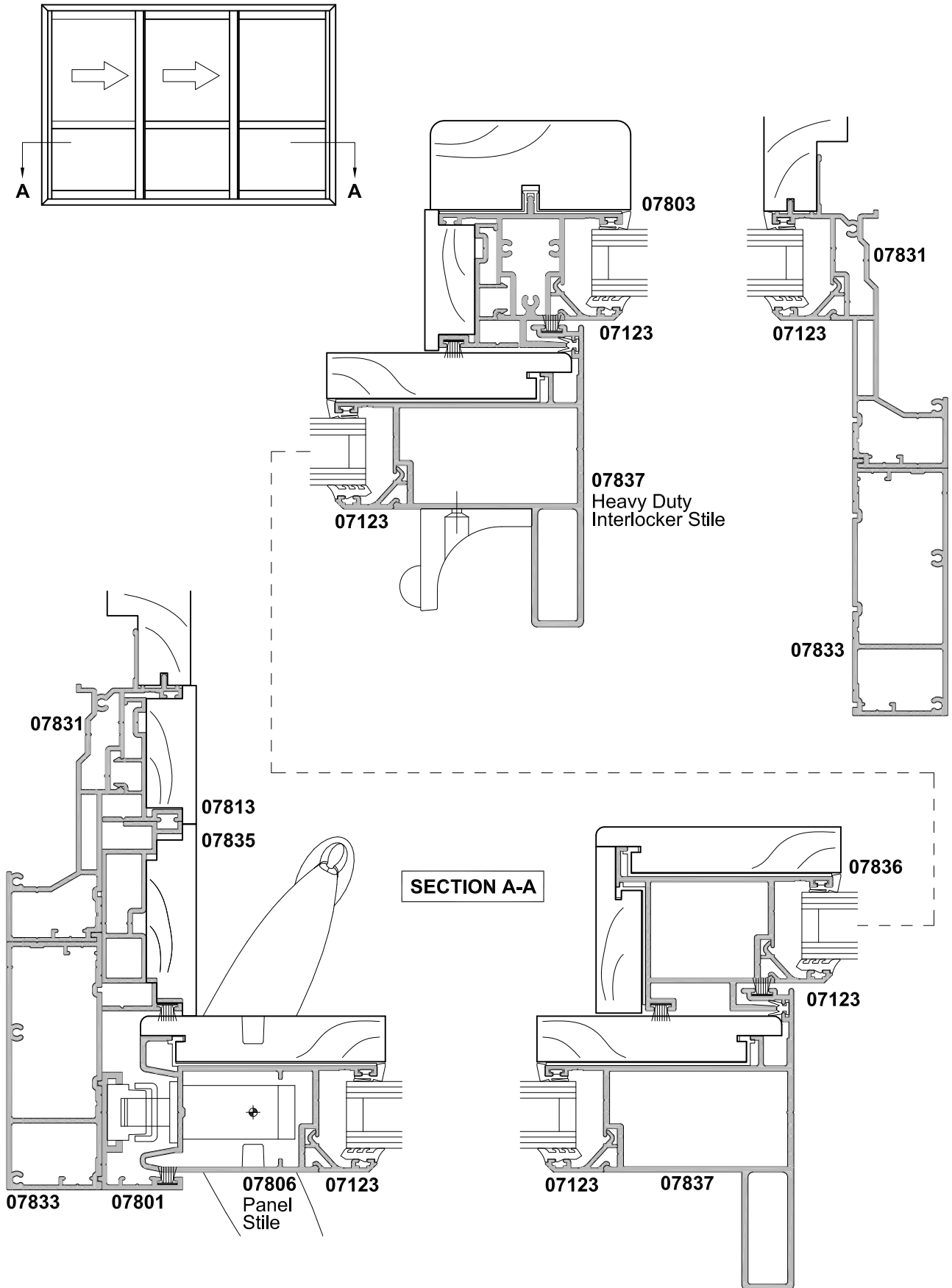
SECTION A-A





SLIDING DOOR, 3 PANEL SSF CROSS SECTION

Cad Ref. SSD08-0 Scale 1:2 Date 01.06.11





SLIDING DOOR, 6 PANEL FSSSSF CROSS SECTION

Cad Ref. SSD09-0 Scale 1:2 Date 01.06.11

