

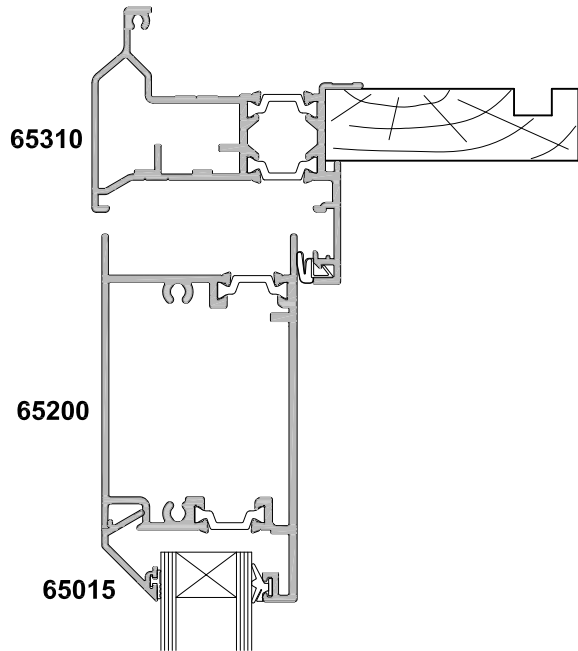


**VANTAGE THERMAL HEART
HINGED DOOR
OPEN OUT
CROSS SECTION**

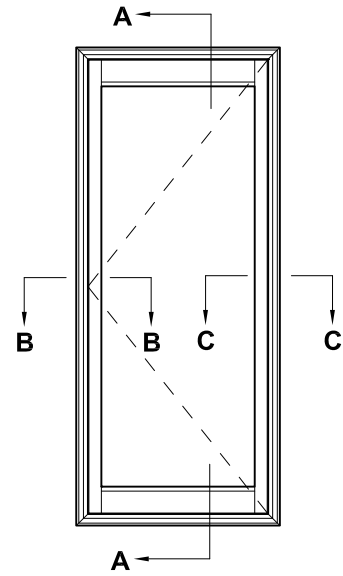
CAD REF. VRTHD02-0

DATE
31.01.18

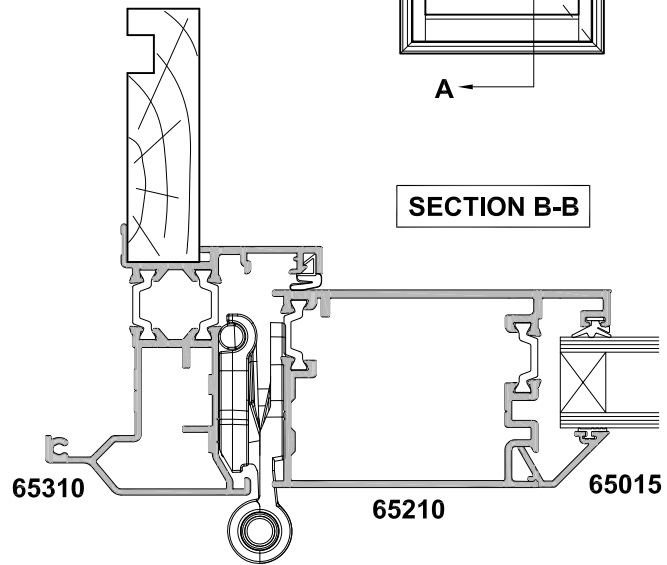
SCALE
1:2



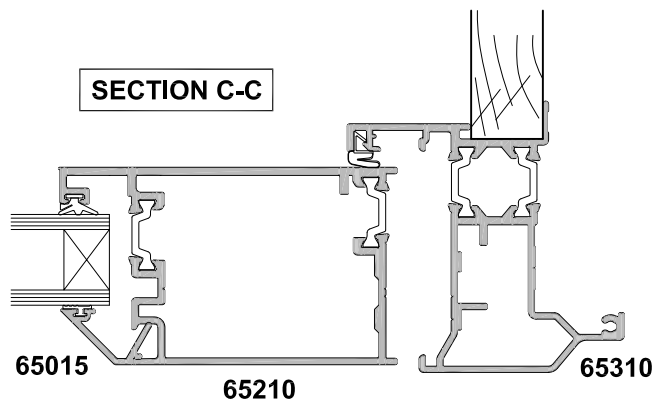
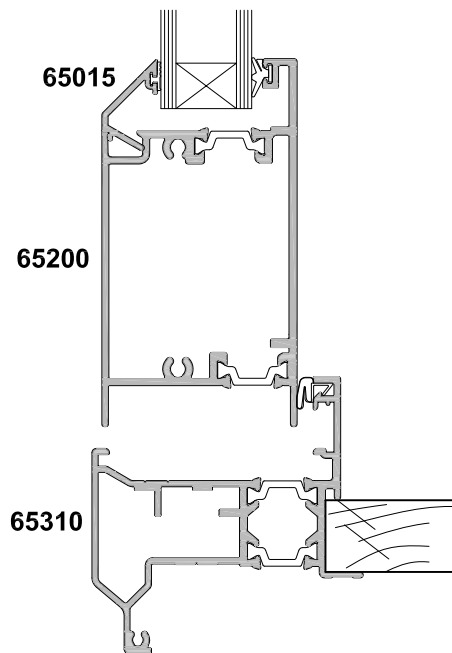
SECTION A-A



SECTION B-B



SECTION C-C



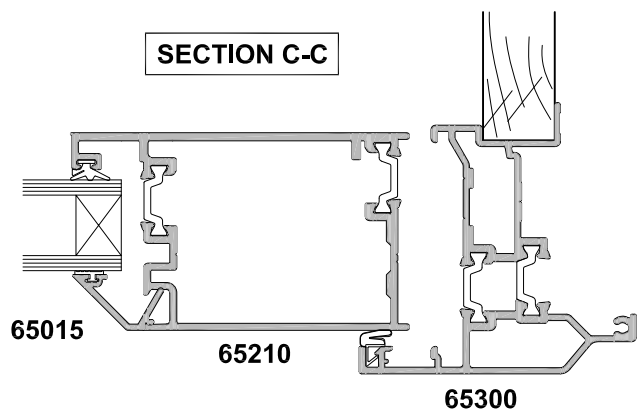
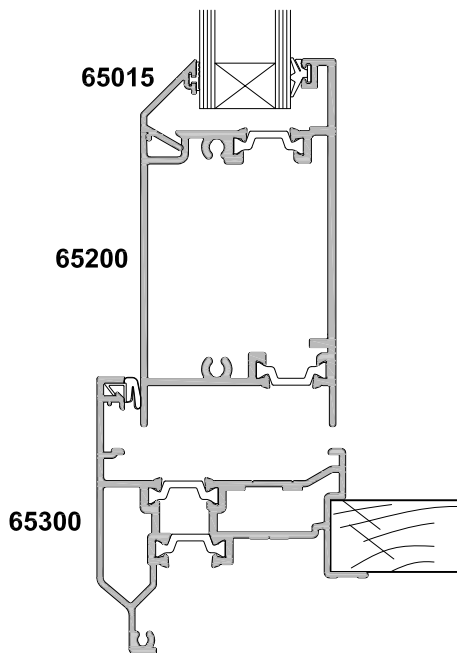
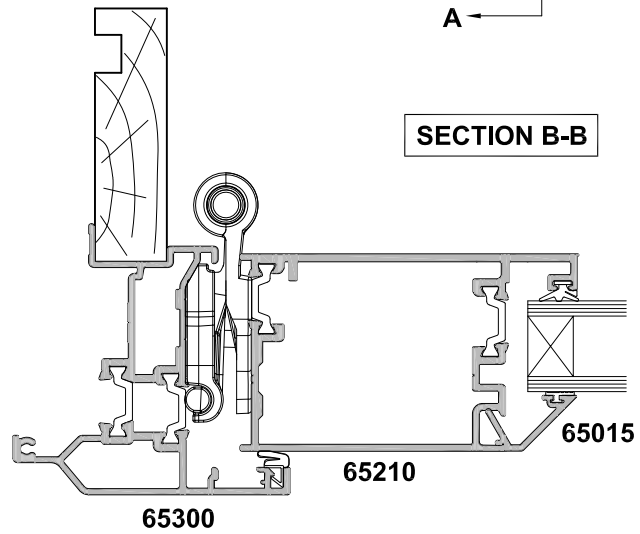
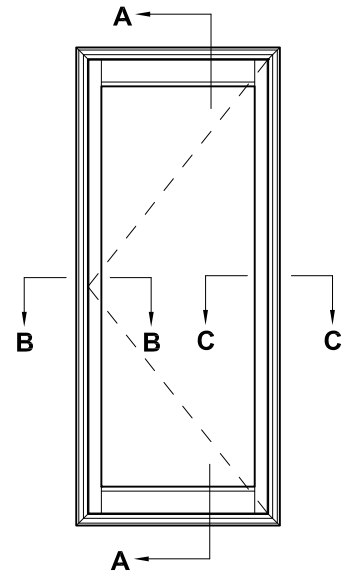
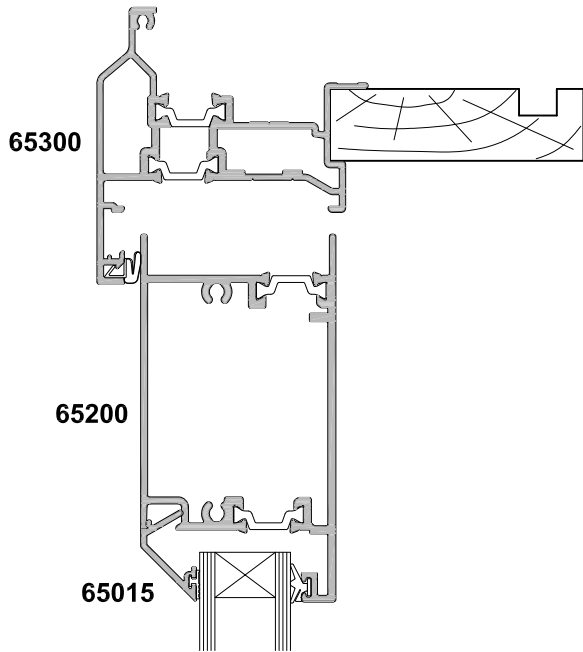


**VANTAGE THERMAL HEART
HINGED DOOR
OPEN IN
CROSS SECTION**

CAD REF. VRTHD03-0

DATE
31.01.18

SCALE
1:2



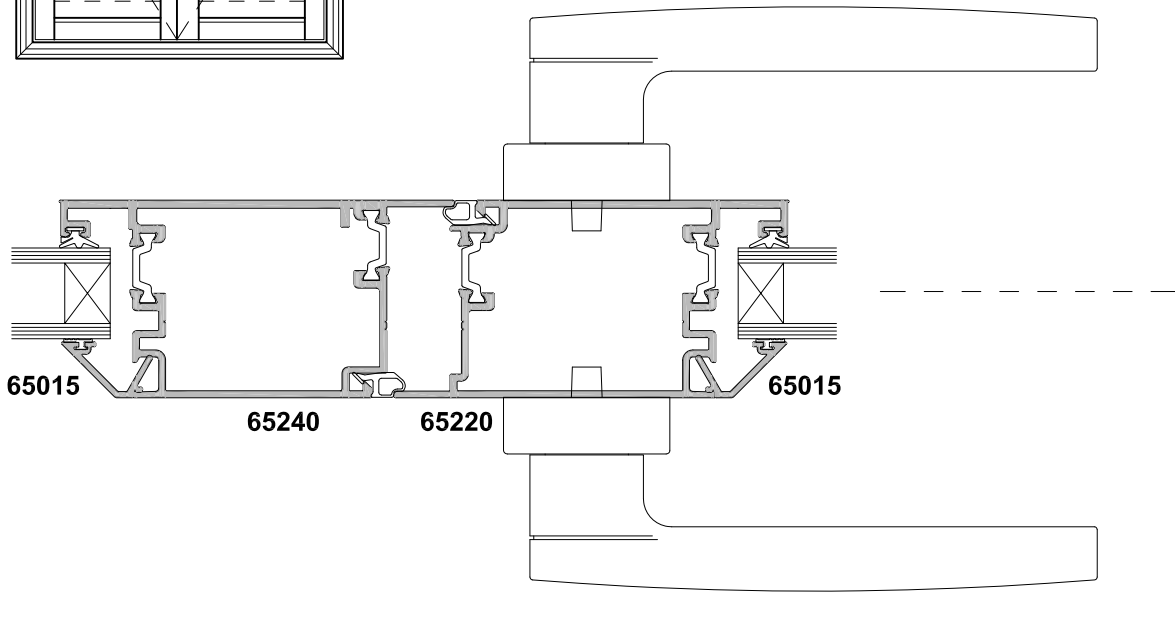
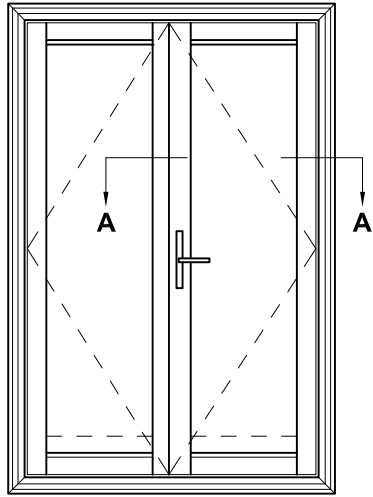


**VANTAGE THERMAL HEART
HINGED DOOR
OPEN OUT FRENCH DOOR
CROSS SECTION**

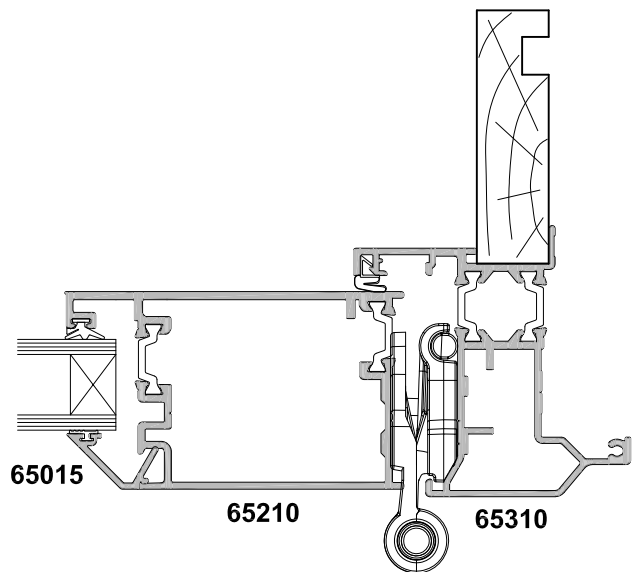
CAD REF. VRTHD04-0

DATE
31.01.18

SCALE
1:2



SECTION A-A



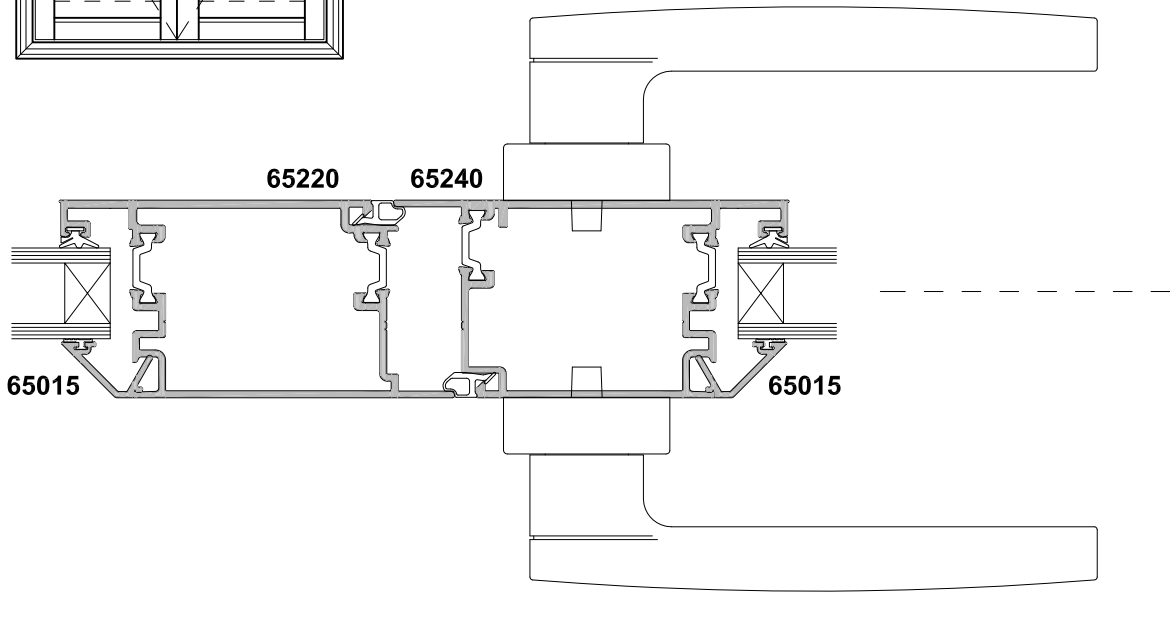
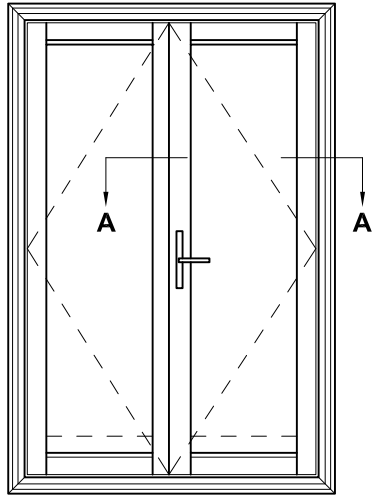


**VANTAGE THERMAL HEART
HINGED DOOR
OPEN IN FRENCH DOOR
CROSS SECTION**

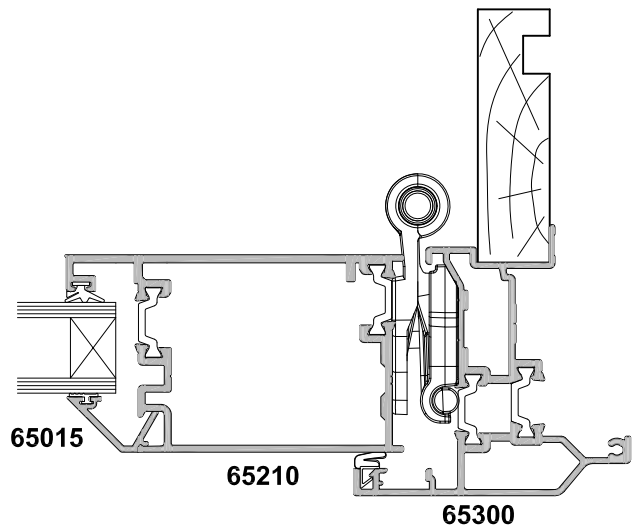
CAD REF. VRTHD05-0

DATE
01.02.18

SCALE
1:2



SECTION A-A



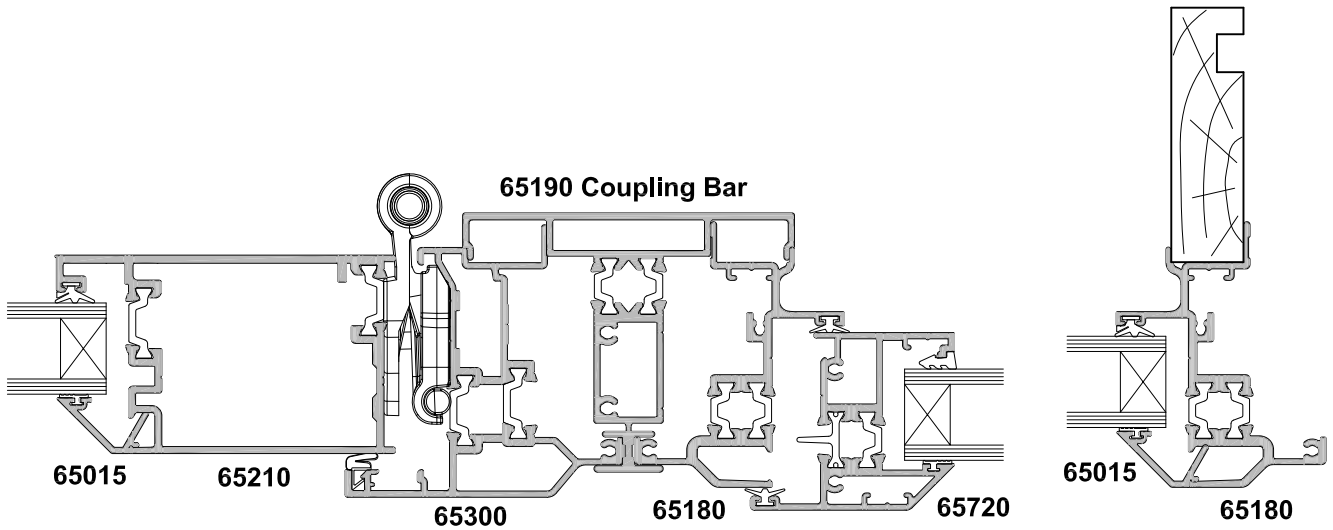
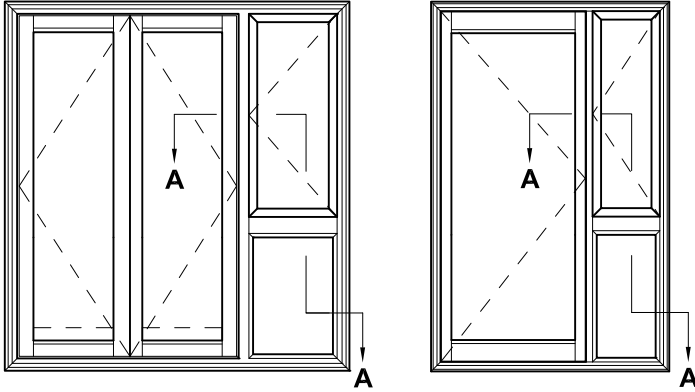


**VANTAGE THERMAL HEART
HINGED DOOR
COUPLED SIDELIGHT
CROSS SECTION**

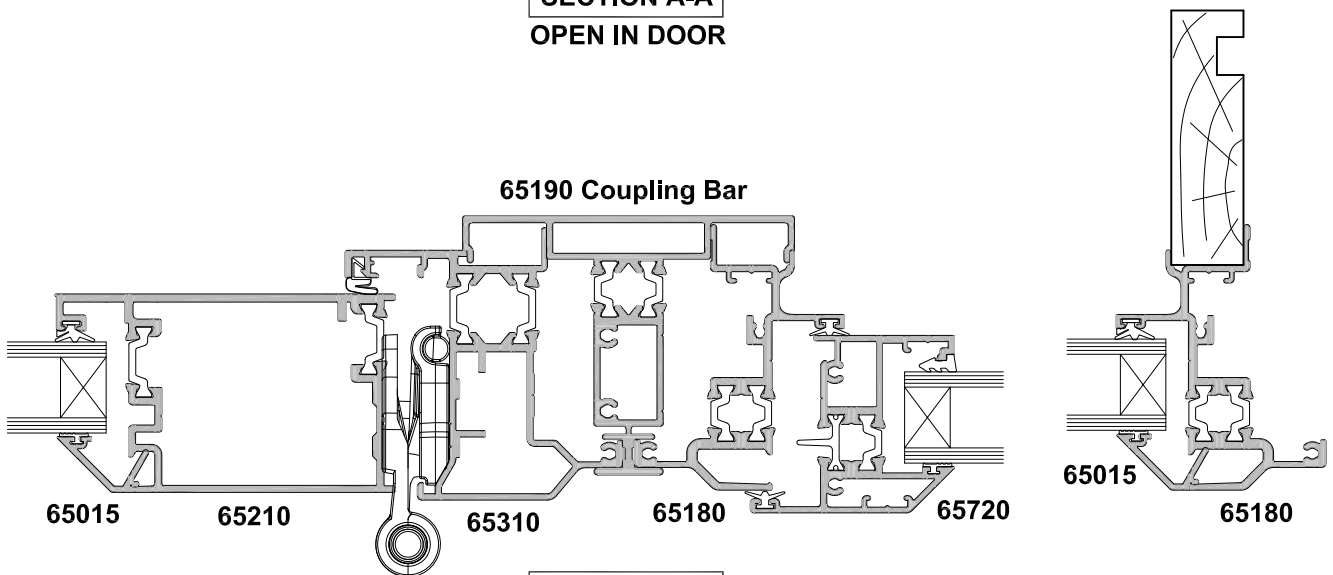
CAD REF. VRTHD06-0

DATE
01.02.18

SCALE
1:2



**SECTION A-A
OPEN IN DOOR**



**SECTION A-A
OPEN OUT DOOR**



**VANTAGE THERMAL HEART
HINGED DOOR
COUPLED OVERLIGHT
CROSS SECTION**

CAD REF. VRTHD07-0

DATE
01.02.18

SCALE
1:2

