

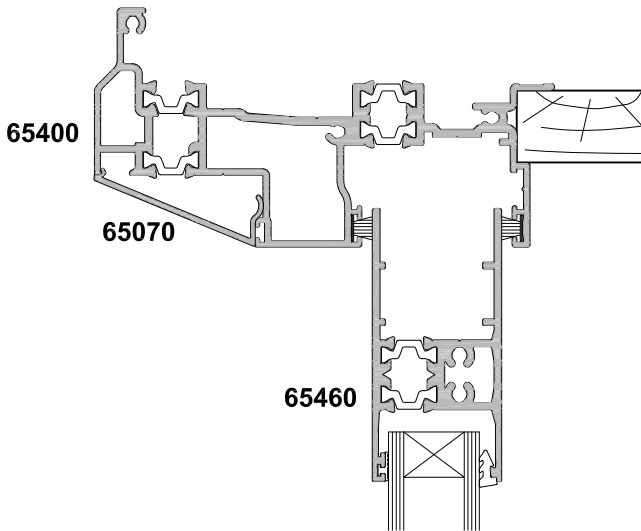
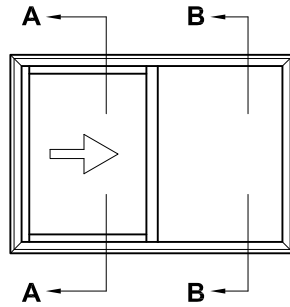


**VANTAGE THERMAL HEART  
SLIDING WINDOW  
TWO PANEL SF  
CROSS SECTION**

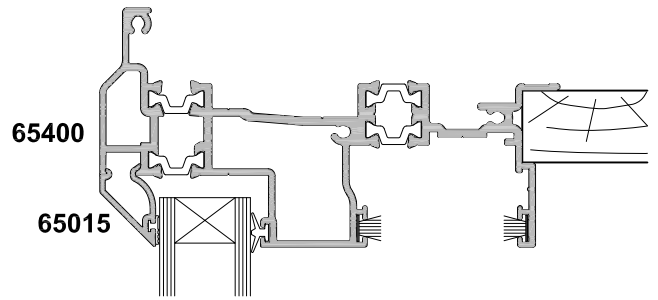
CAD REF. VRTSW02-0

DATE  
01.06.11

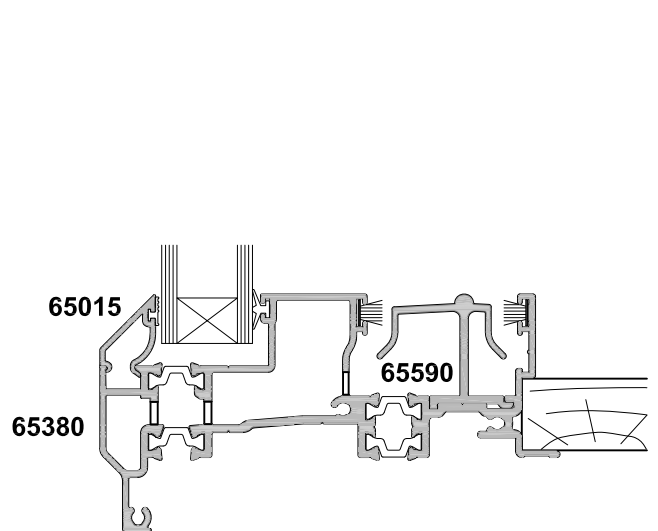
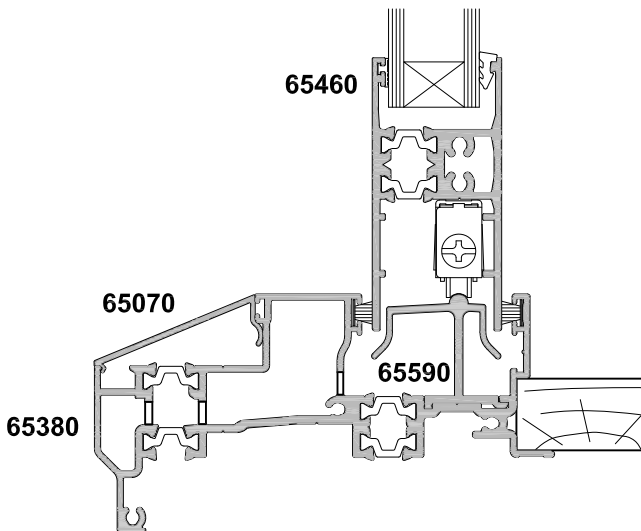
SCALE  
1:2



**SECTION A-A**



**SECTION B-B**



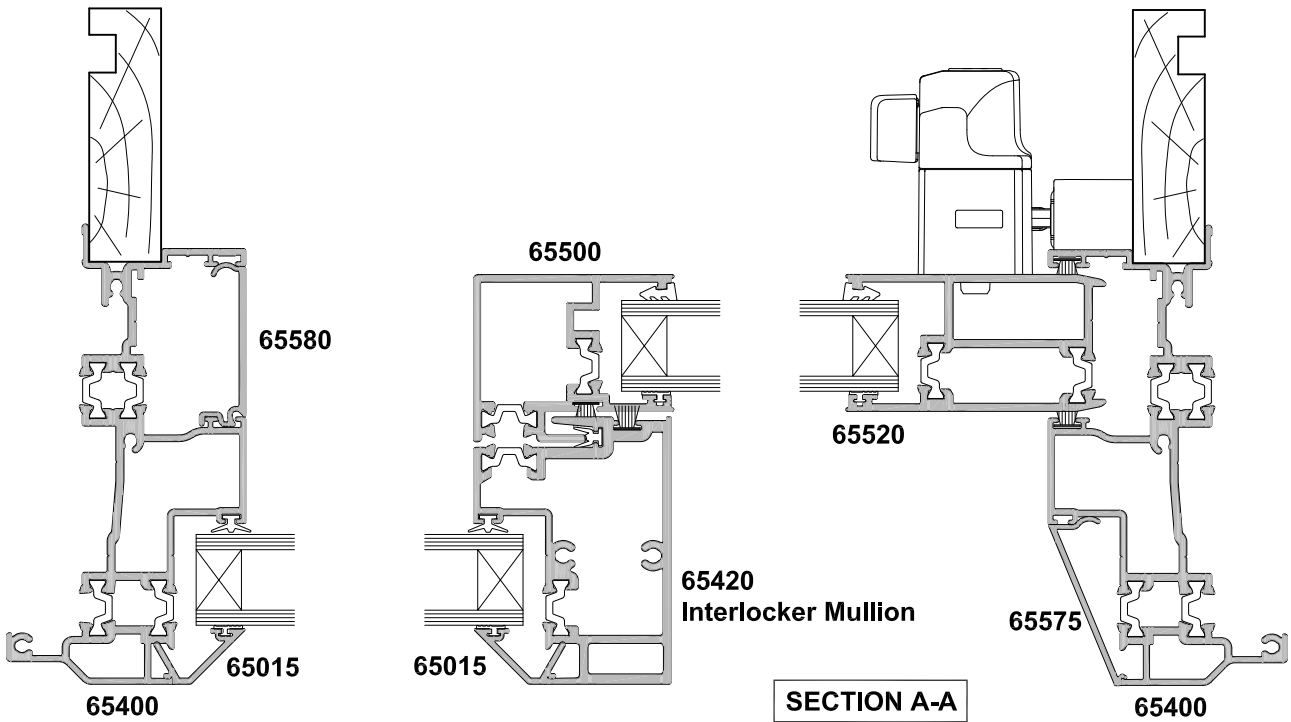
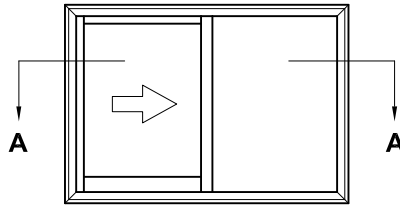


**VANTAGE THERMAL HEART  
SLIDING WINDOW  
TWO PANEL SF  
CROSS SECTION**

CAD REF. VRTSW03-0

DATE  
30.01.18

SCALE  
1:2



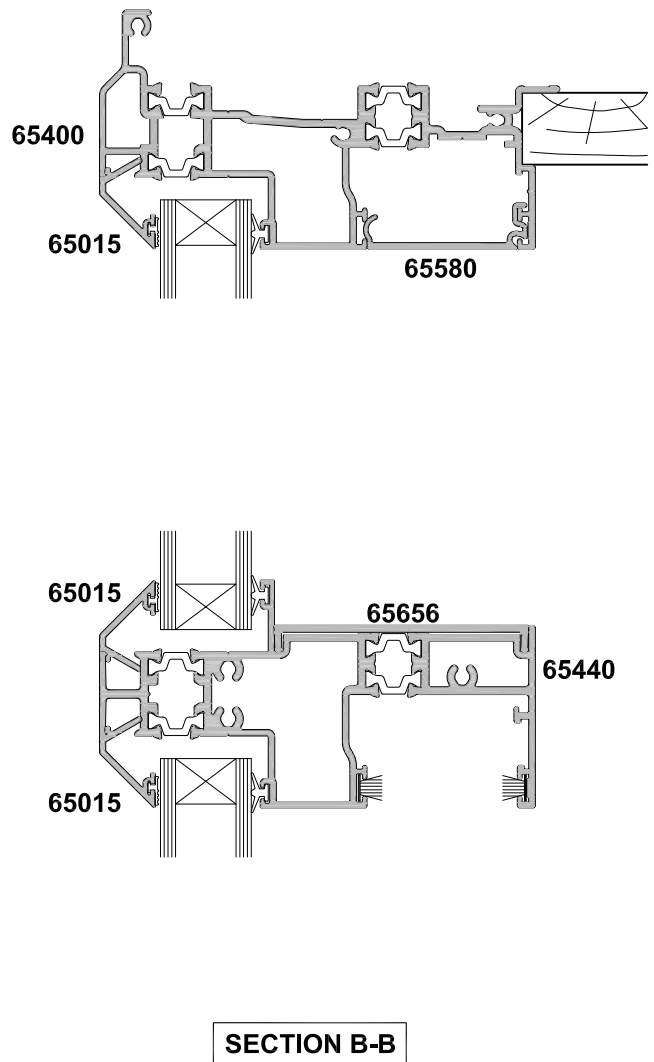
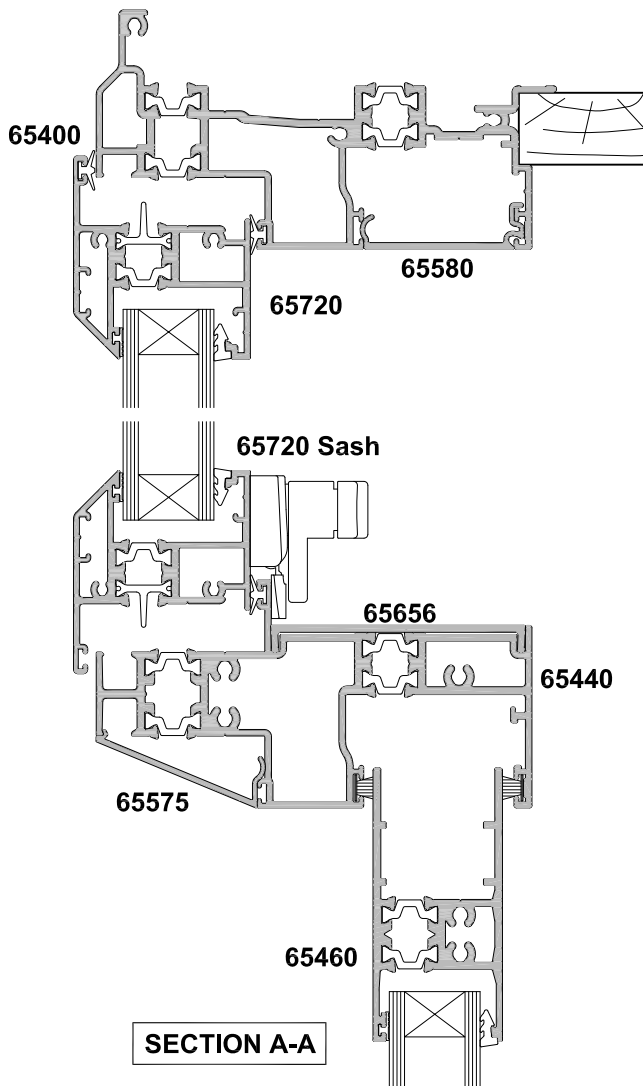
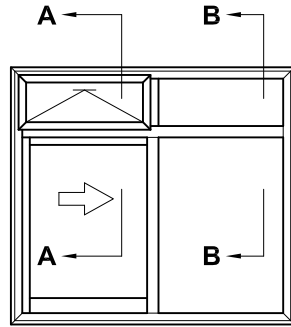


**VANTAGE THERMAL HEART  
SLIDING WINDOW  
TWO PANEL SF WITH OVERLIGHT OPTION  
CROSS SECTION**

CAD REF. VRTSW04-0

DATE  
30.01.18

SCALE  
1:2



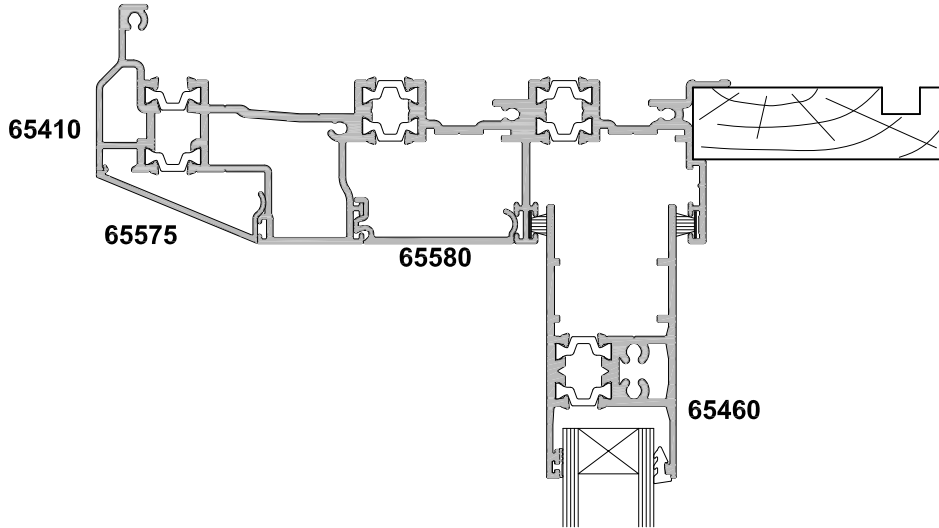


**VANTAGE THERMAL HEART  
SLIDING WINDOW  
THREE PANEL SSF  
CROSS SECTION**

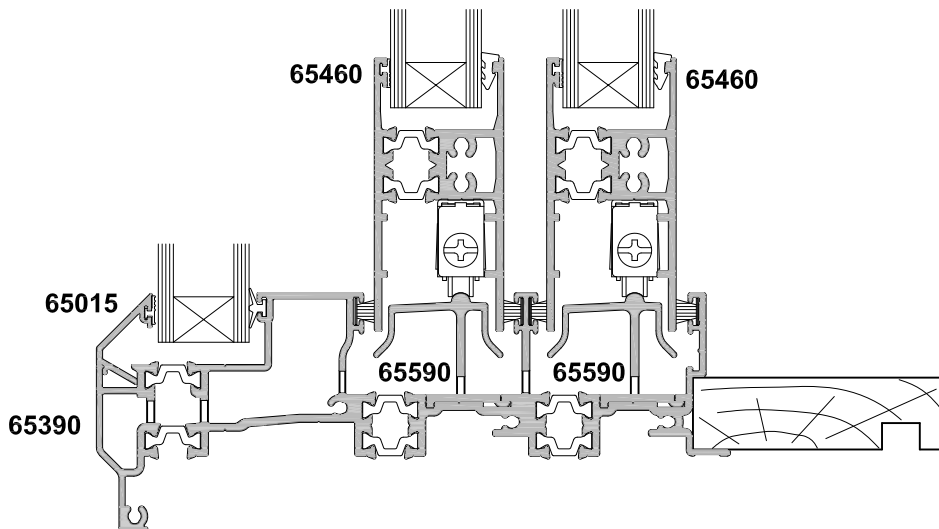
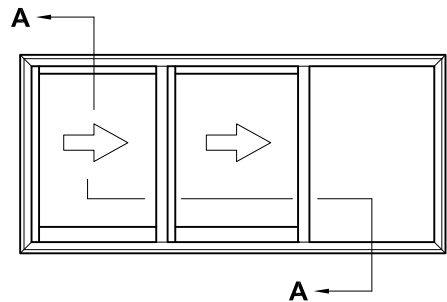
CAD REF. VRTSW05-0

DATE  
30.01.18

SCALE  
1:2



**SECTION A-A**



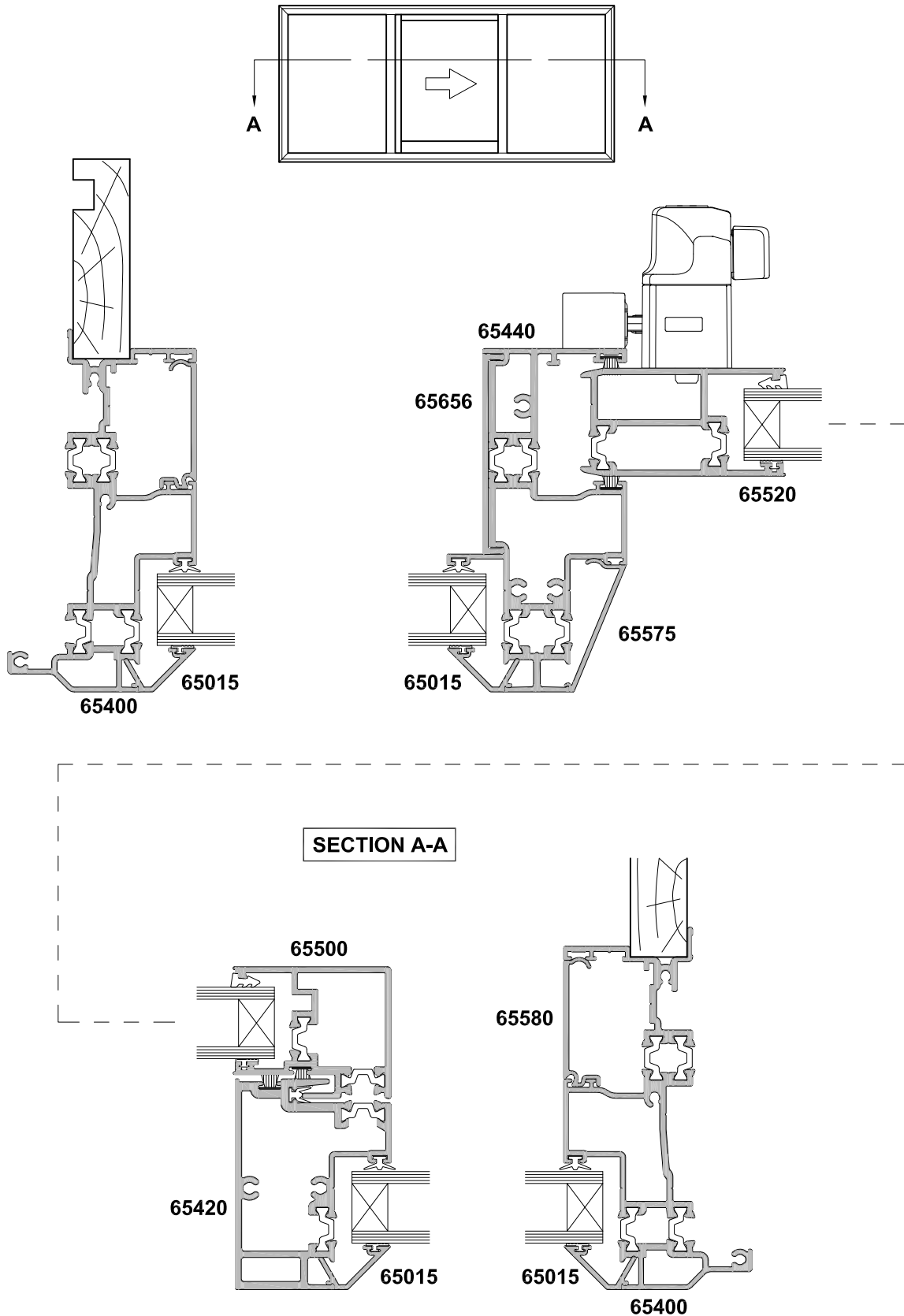


**VANTAGE THERMAL HEART  
SLIDING WINDOW  
THREE PANEL FSF  
CROSS SECTION**

CAD REF. VRTSW06-0

DATE  
30.01.18

SCALE  
1:2



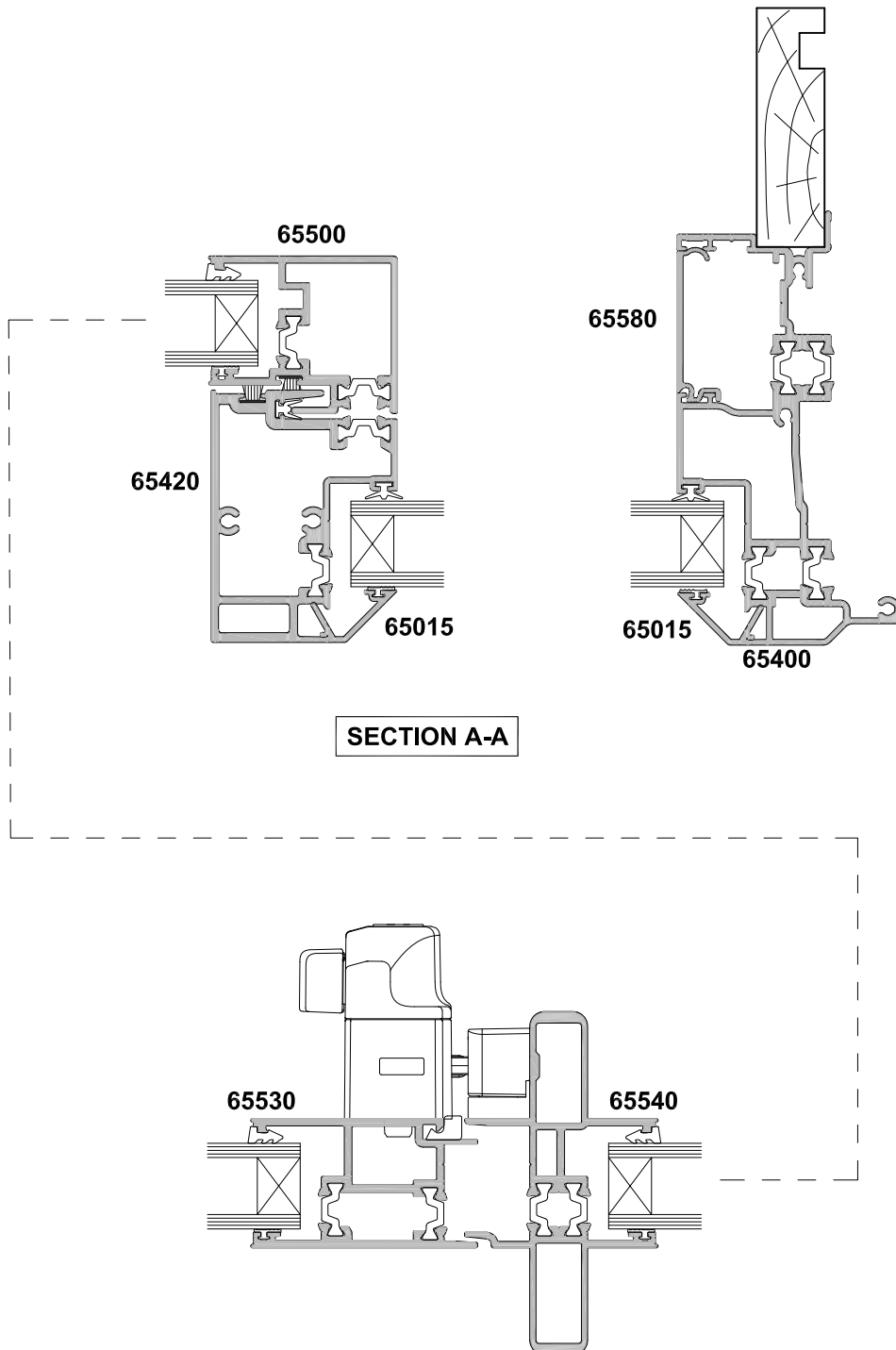
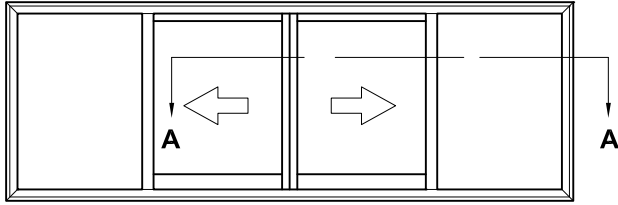


**VANTAGE THERMAL HEART  
SLIDING WINDOW  
FOUR PANEL FSSF  
CROSS SECTION**

CAD REF. VRTSW07-0

DATE  
30.01.18

SCALE  
1:2



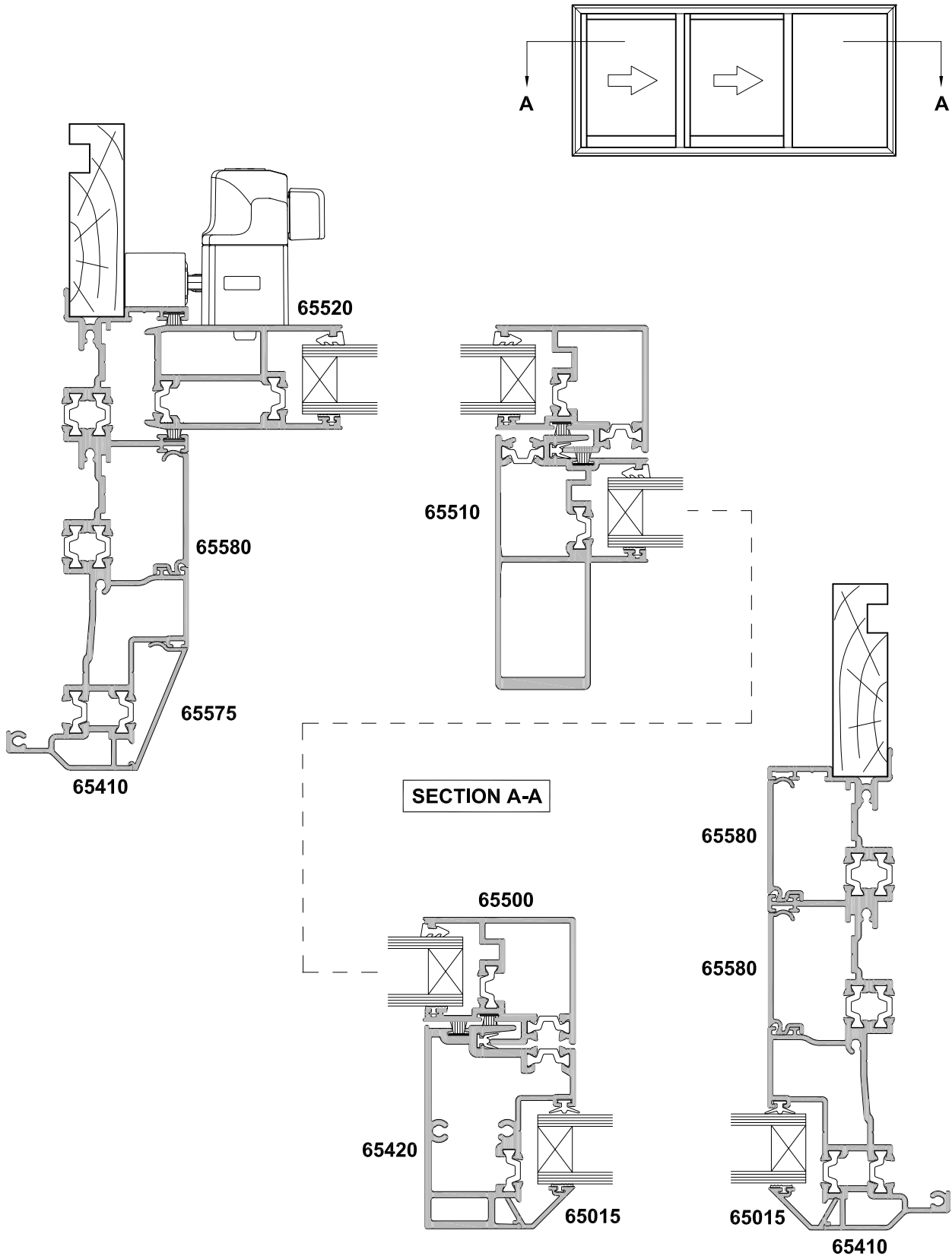


**VANTAGE THERMAL HEART  
SLIDING WINDOW  
THREE PANEL SSF  
CROSS SECTION**

CAD REF. VRTSW08-0

DATE  
31.01.18

SCALE  
1:2



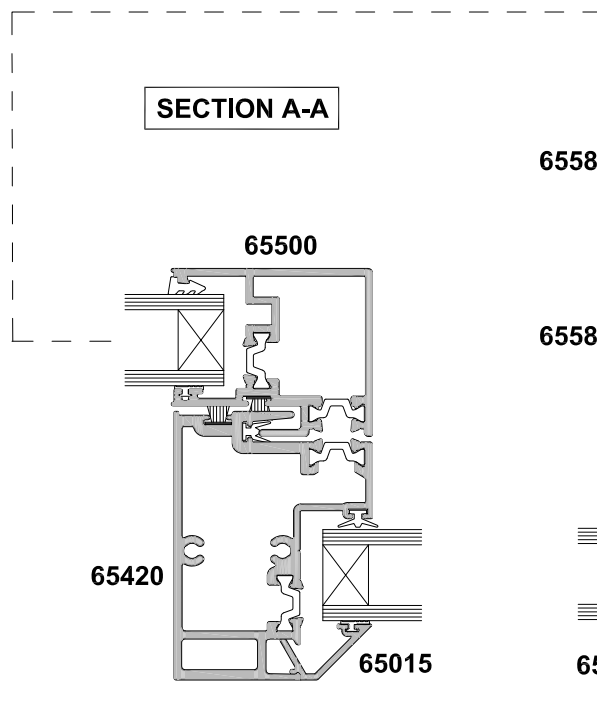
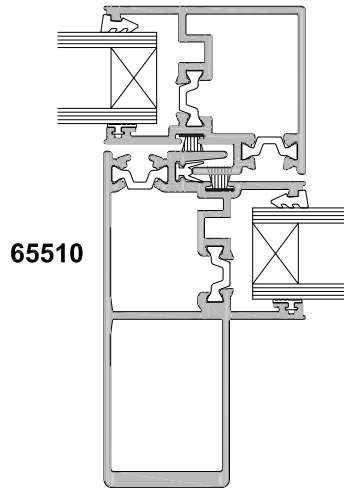
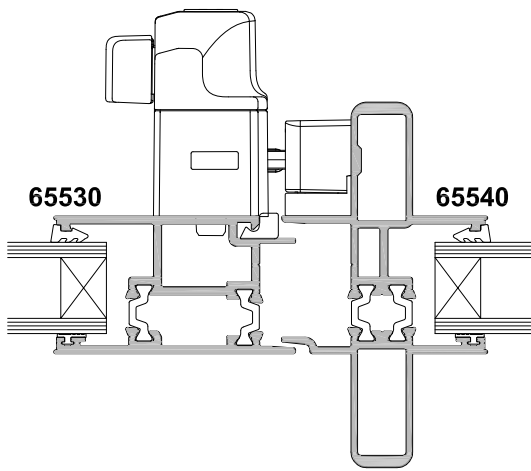
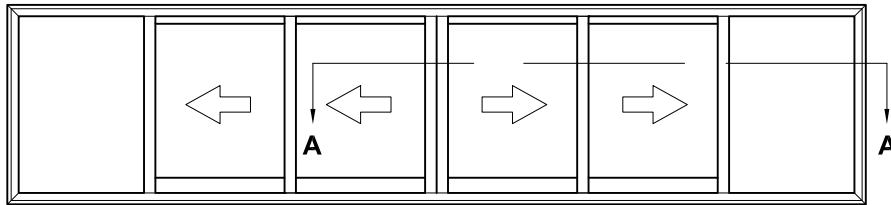


**VANTAGE THERMAL HEART  
SLIDING WINDOW  
SIX PANEL FSS / SSF  
CROSS SECTION**

CAD REF. VRTSW09-0

DATE  
31.01.18

SCALE  
1:2



65580

65580

65015

65410