

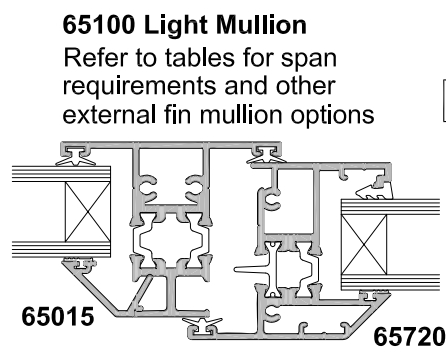
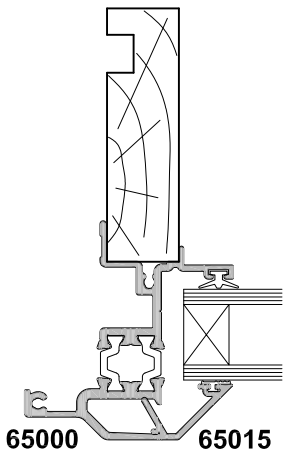
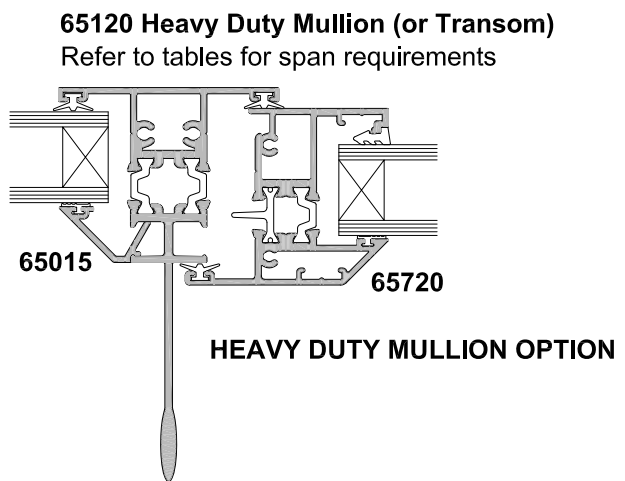
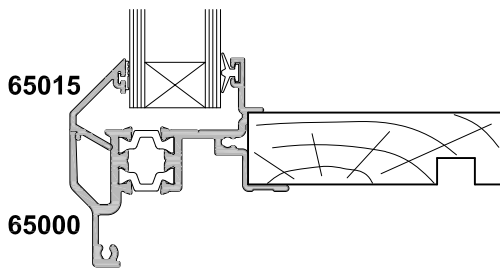
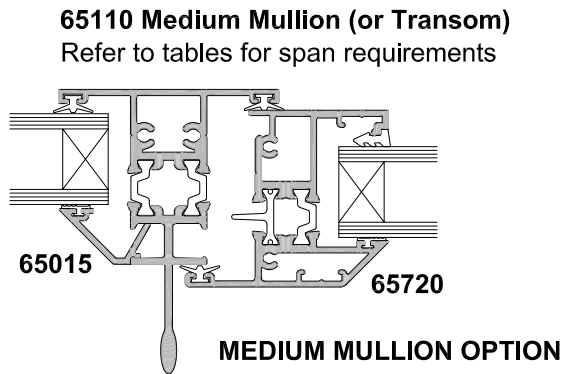
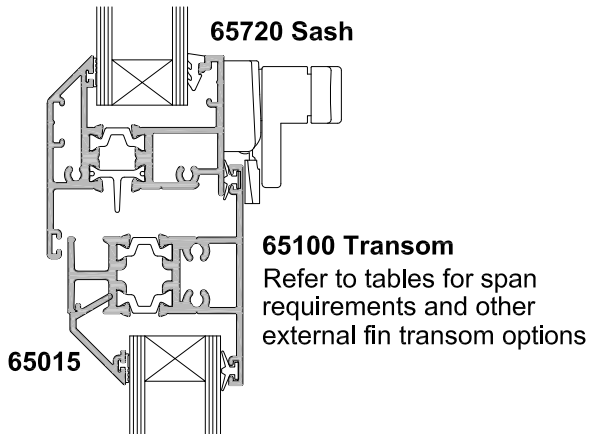
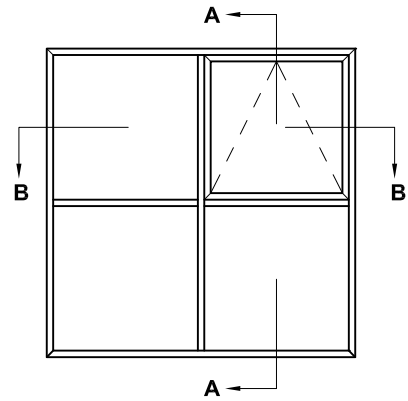
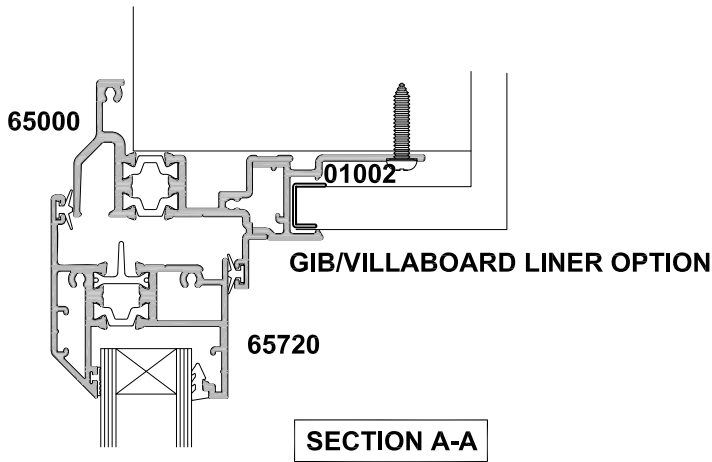


**VANTAGE THERMAL HEART
AWNING WINDOW
MULLION / TRANSOM OPTIONS
CROSS SECTION**

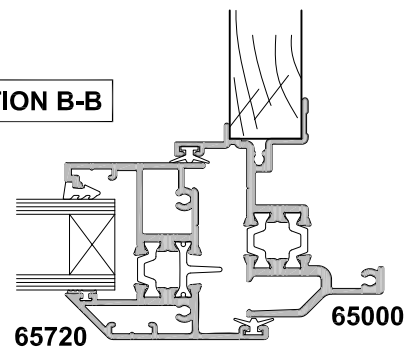
CAD REF. VRTAW01-0

DATE
26.01.18

SCALE
1:2



SECTION B-B



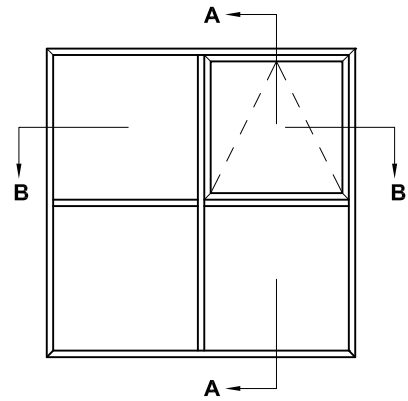
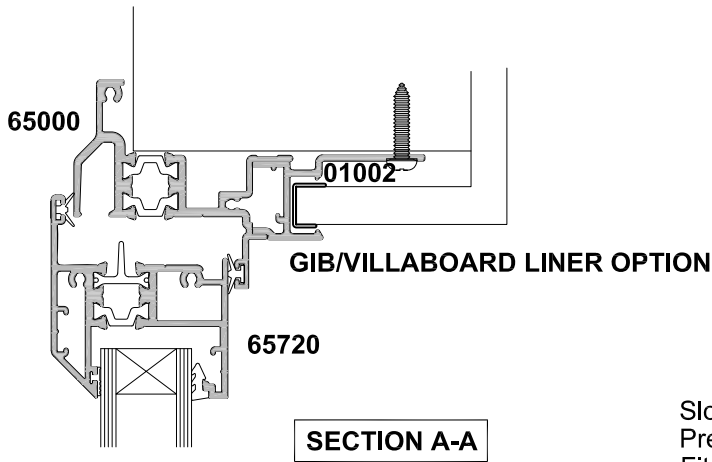


**VANTAGE THERMAL HEART
AWNING WINDOW
BEAD OPTIONS
CROSS SECTION**

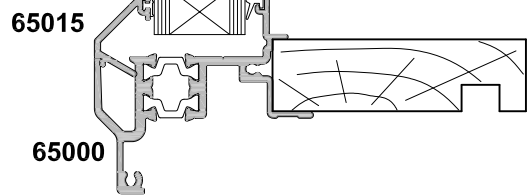
CAD REF. VRTAW02-0

DATE
26.01.18

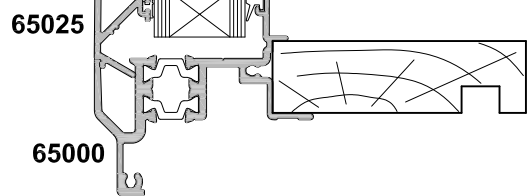
SCALE
1:2



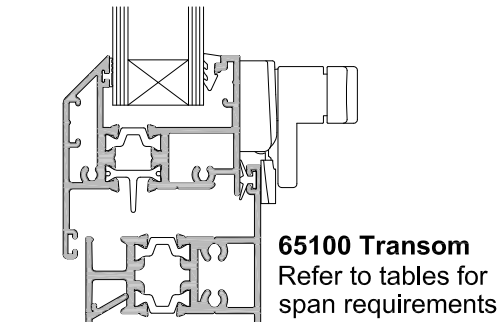
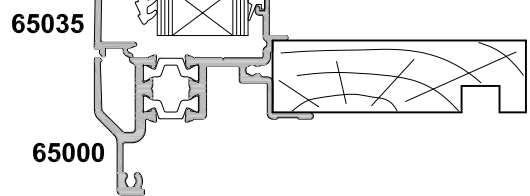
Sloped
Pressure
Fit Bead



Square
Pressure
Fit Bead

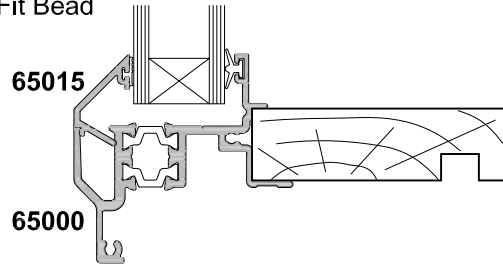


Square
Wedged
Bead



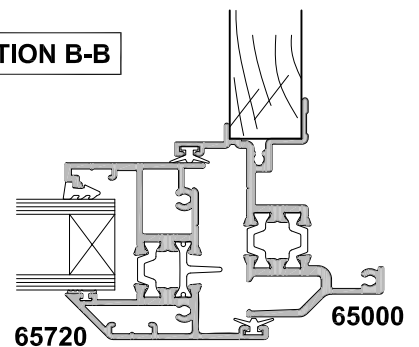
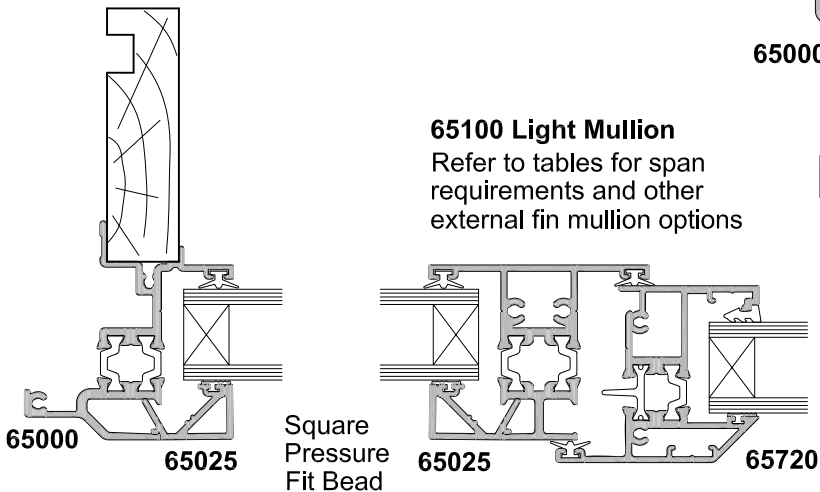
65015

Sloped
Pressure
Fit Bead



65100 Light Mullion
Refer to tables for span requirements and other external fin mullion options

SECTION B-B





**VANTAGE THERMAL HEART
AWNING WINDOW
90° CORNER WINDOW, FACET WINDOW
CROSS SECTION**

CAD REF. VRTAW03-0

DATE
26.01.18

SCALE
1:2

