

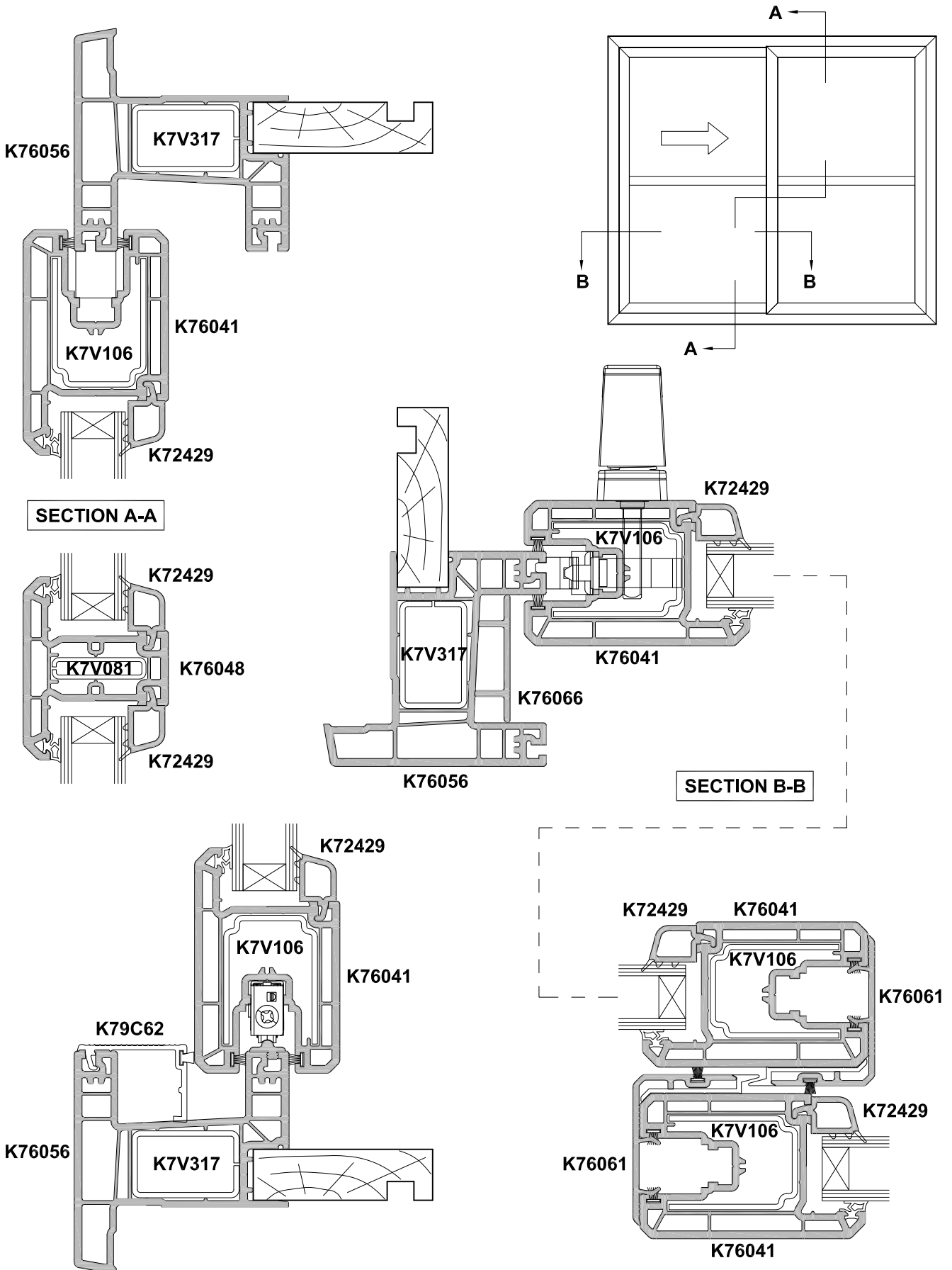


KLIMA SERIES, SLIDING DOOR
TWO PANELS SF
CROSS SECTION

CAD REF. VKSD02-0

DATE
01.01.17

SCALE
1:2



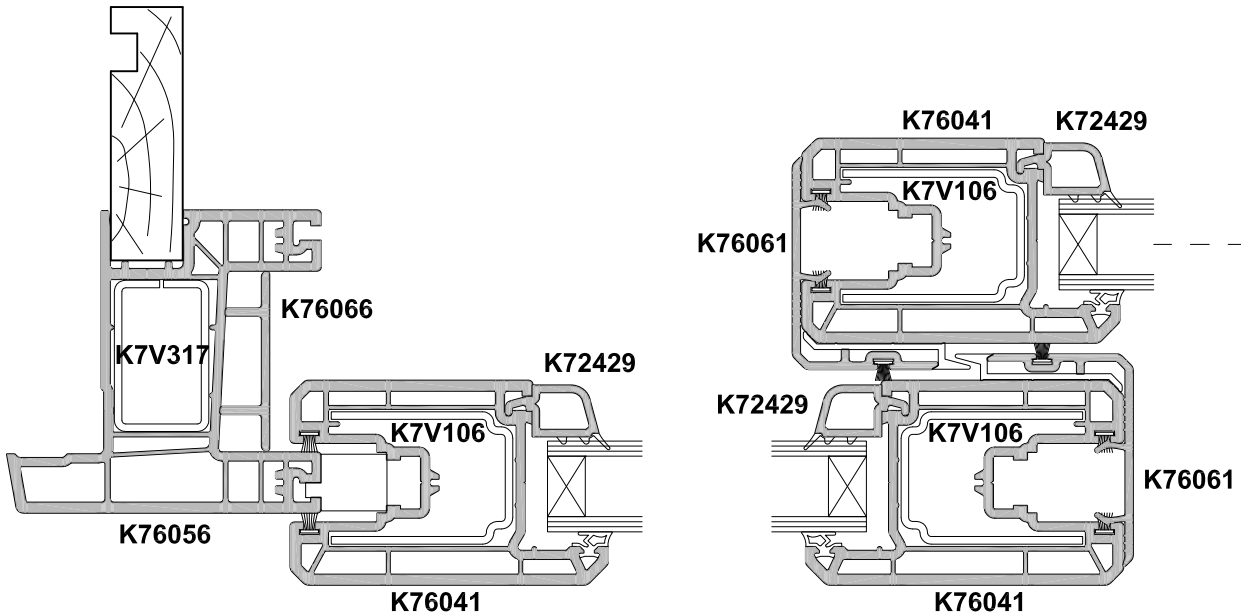
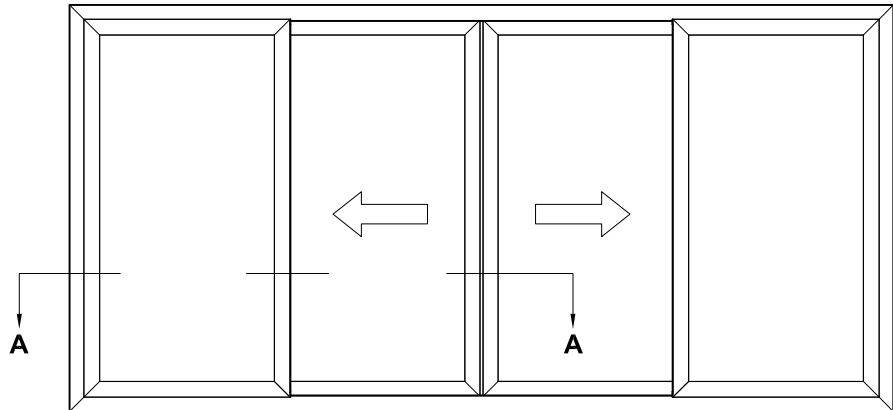


KLIMA SERIES
FOUR PANELS BI-PART FSSF
CROSS SECTION

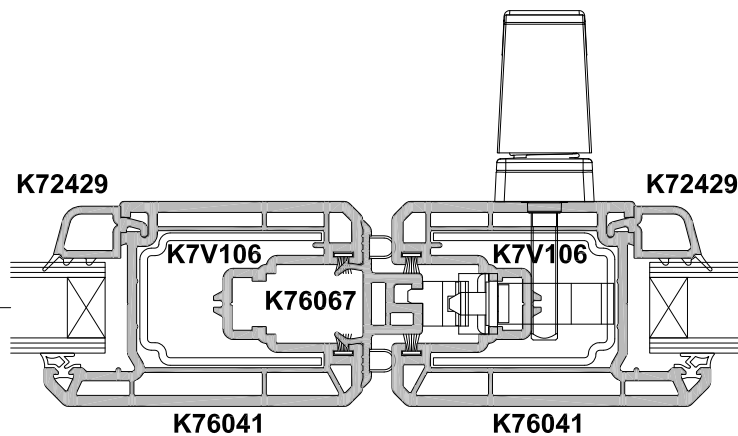
CAD REF. VKSD05-0

DATE
01.01.17

SCALE
1:2



SECTION A-A



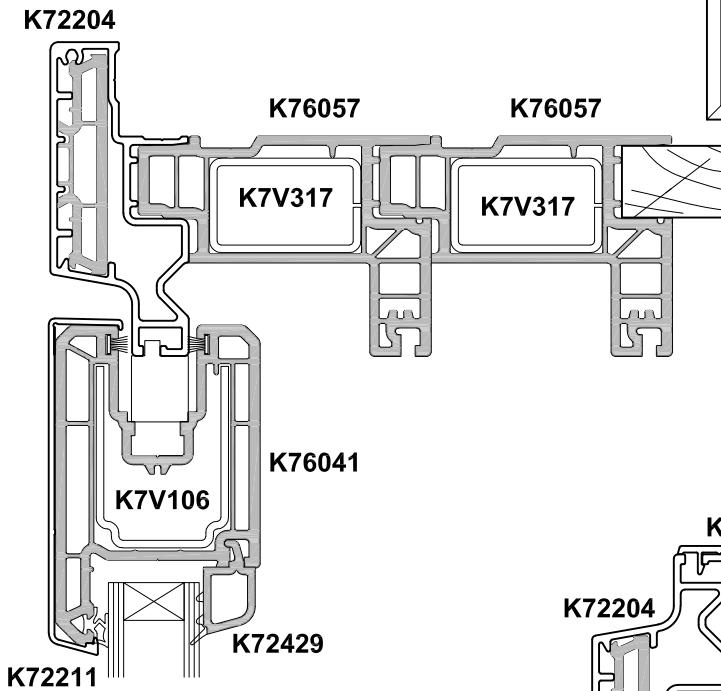
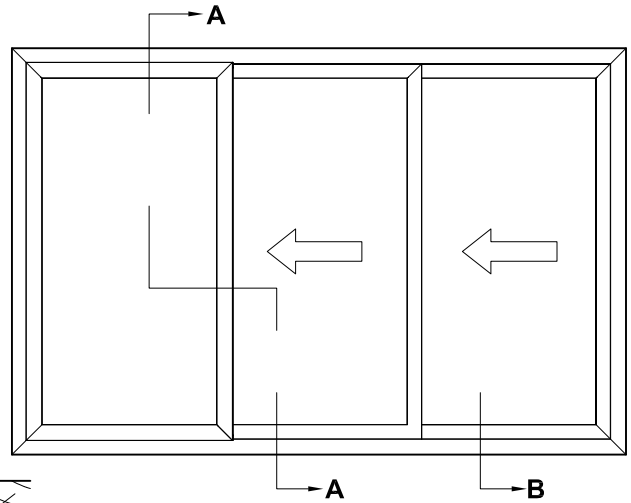


**KLIMA SERIES ALUCLIP, SLIDING DOORS
THREE PANELS FSS, VERTICAL DETAILS
CROSS SECTION**

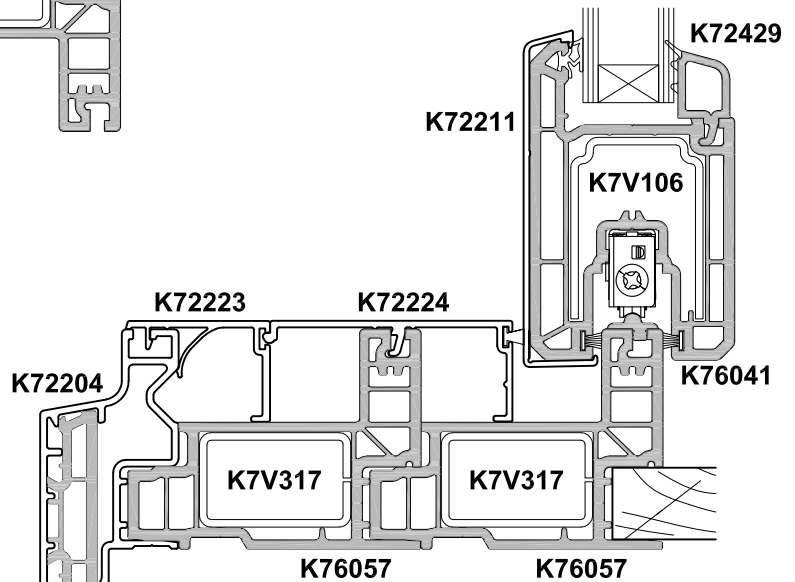
CAD REF. VKSD06-0

DATE
01.06.20

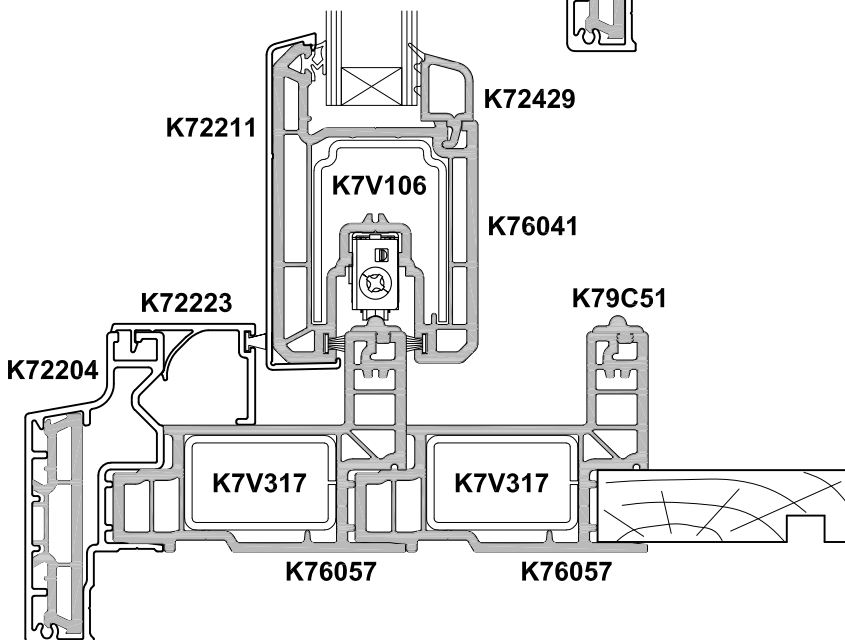
SCALE
1:2



SECTION A-A



SECTION B-B





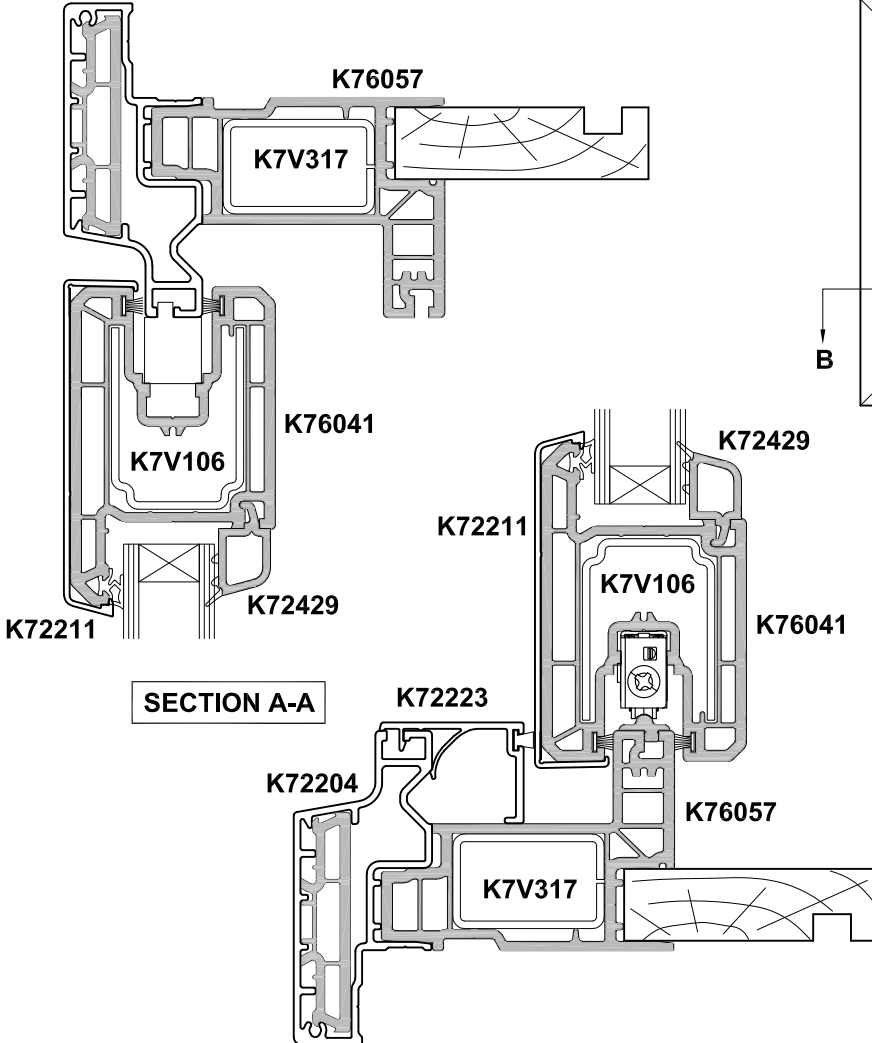
KLIMA SERIES ALUCLIP, SLIDING DOOR TWO PANELS SF CROSS SECTION

CAD REF. VKSD07-0

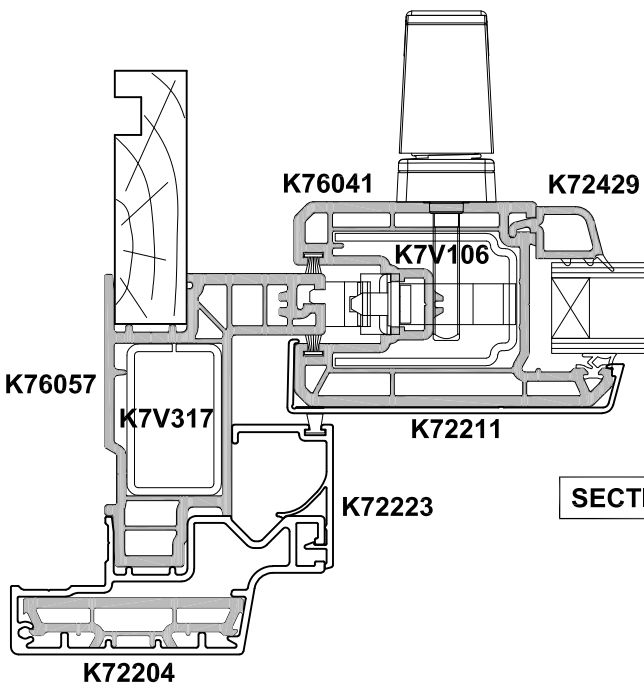
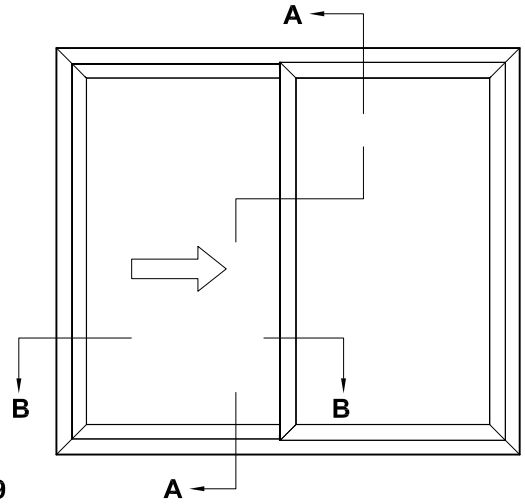
DATE
01.06.20

SCALE
1:2

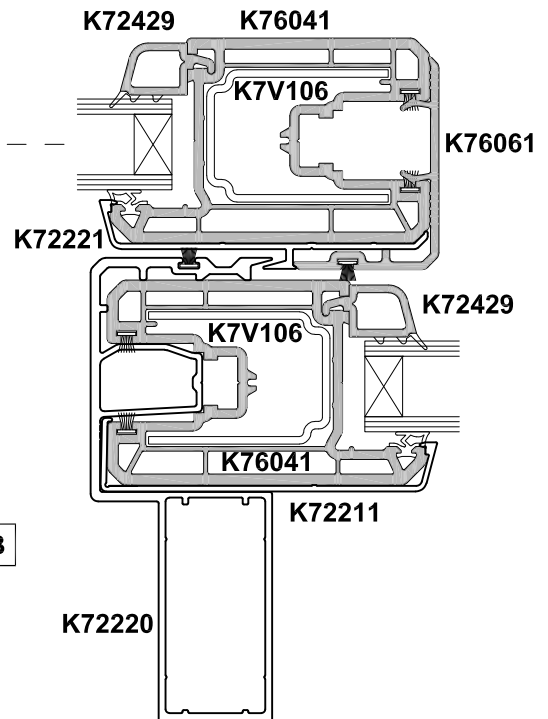
K72204



SECTION A-A



SECTION B-B



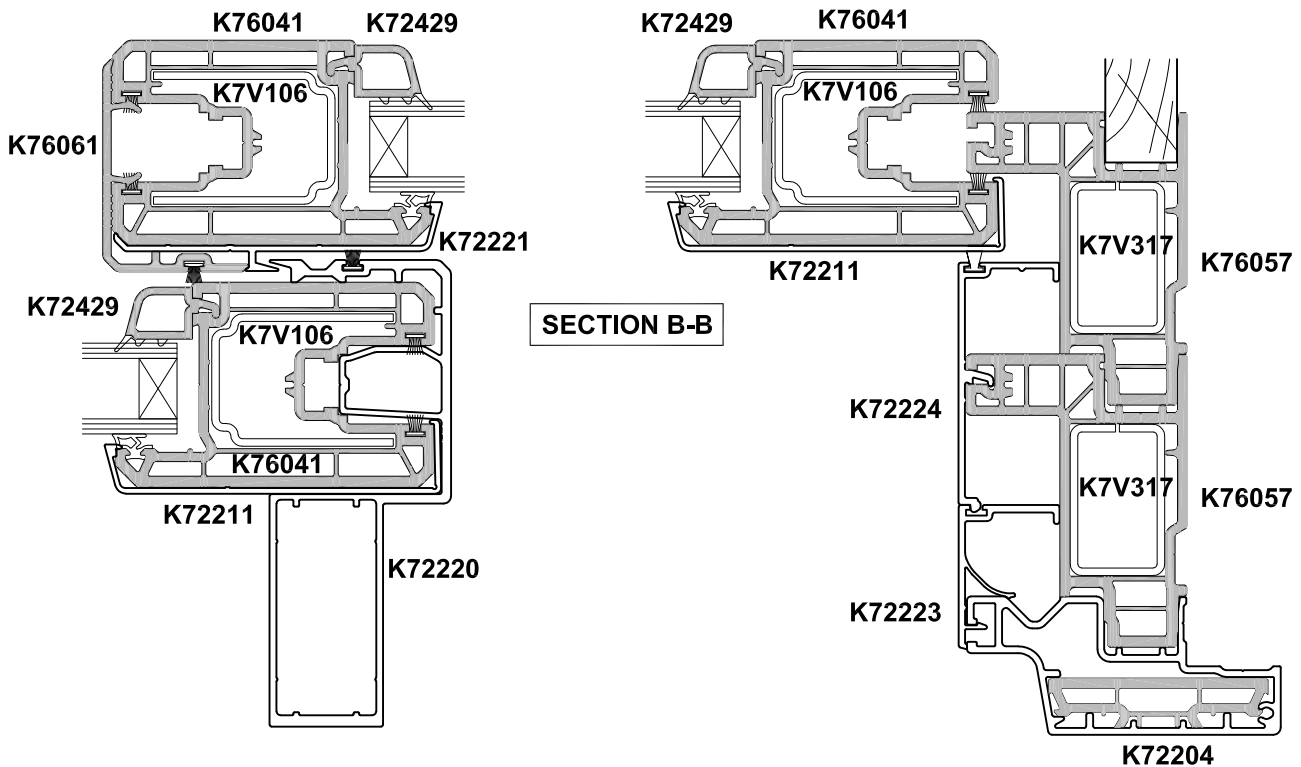
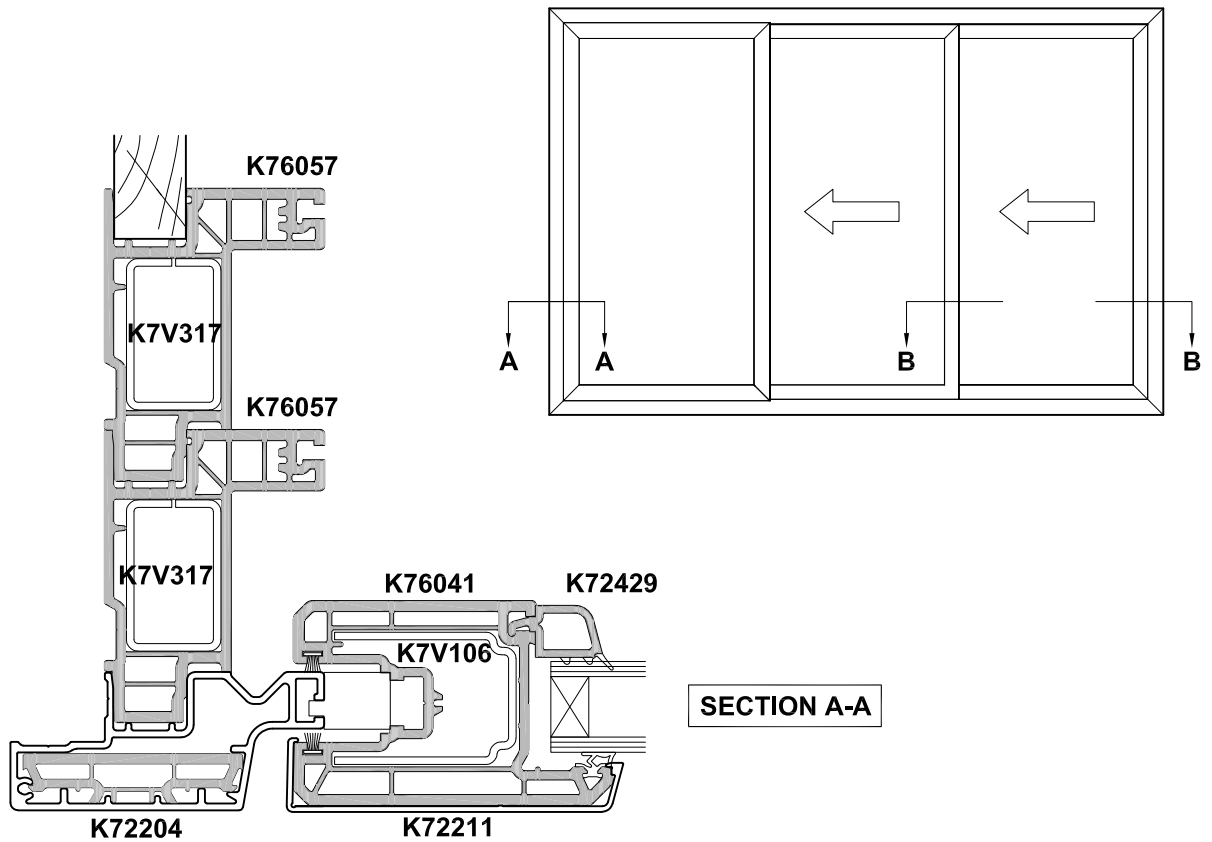


KLIMA SERIES ALUCLIP, SLIDING DOORS
THREE PANELS FSS
 CROSS SECTION

CAD REF. VKSD08-0

DATE
01.06.20

SCALE
1:2





KLIMA SERIES ALUCLIP
FOUR PANELS BI-PART FSSF
CROSS SECTION

CAD REF. VKSD09-0

DATE
01.06.20

SCALE
1:2

