

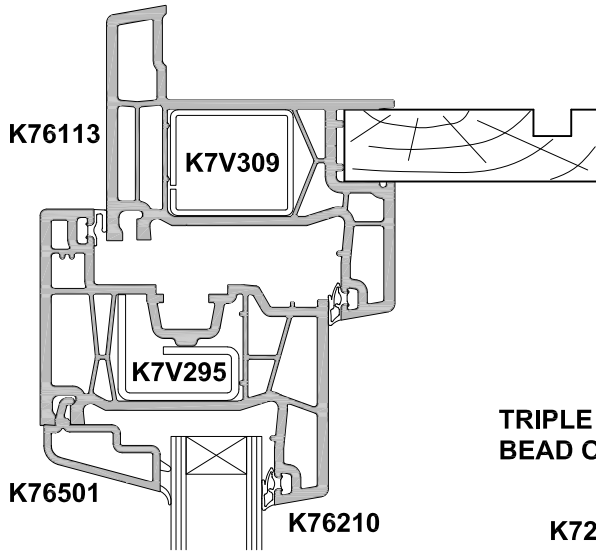


KLIMA SERIES
AWNING WINDOW, SASH OPEN OUT
CROSS SECTION

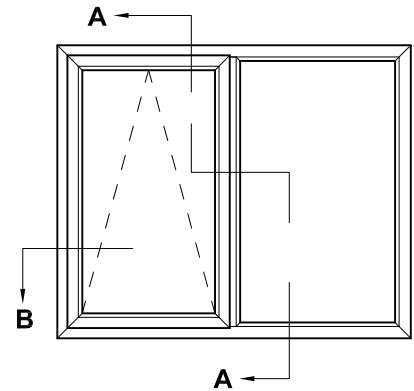
CAD REF. VKAW02-0

DATE
01.06.20

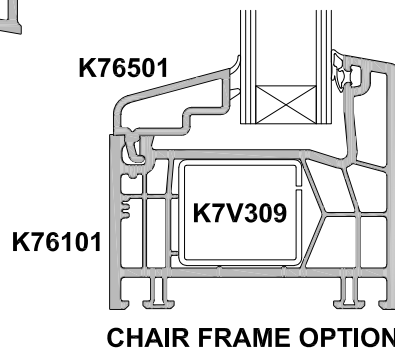
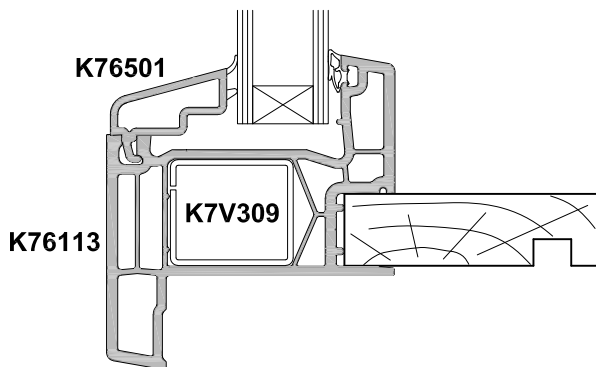
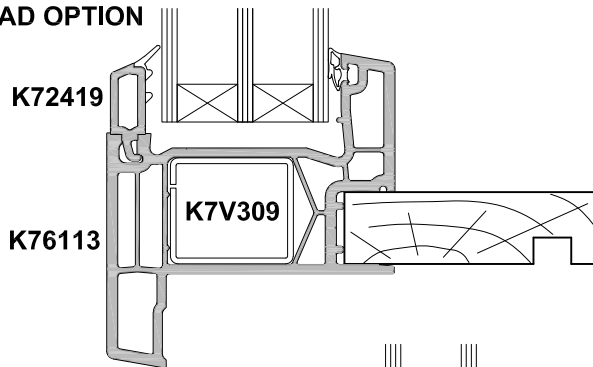
SCALE
1:2



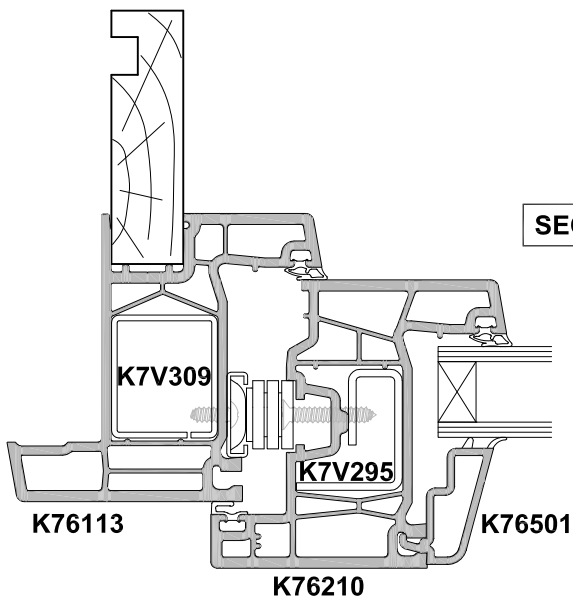
SECTION A-A



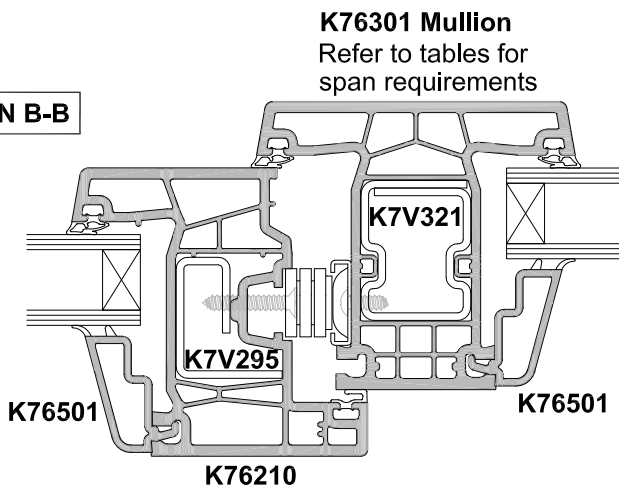
TRIPLE GLAZING
BEAD OPTION



CHAIR FRAME OPTION



SECTION B-B



K76301 Mullion
 Refer to tables for span requirements

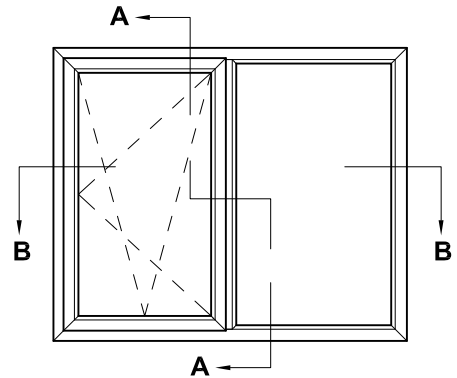
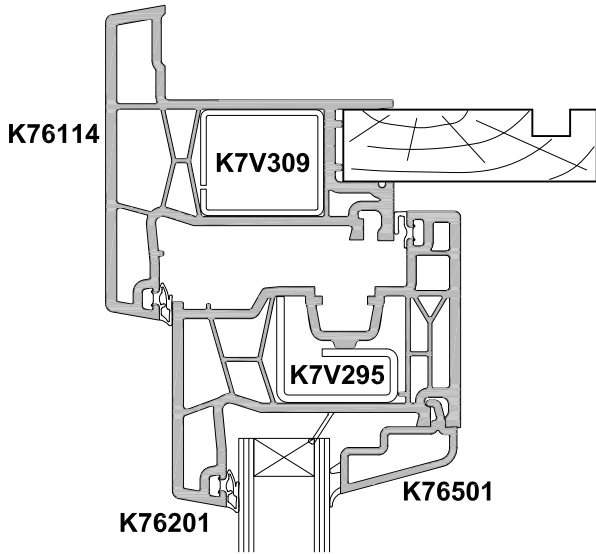


**KLIMA SERIES
AWNING WINDOW, TILT AND TURN
CROSS SECTION**

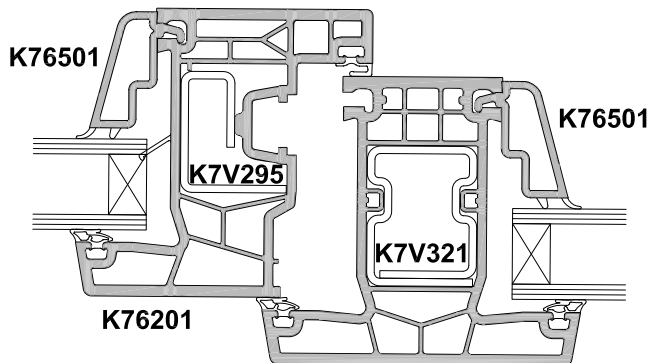
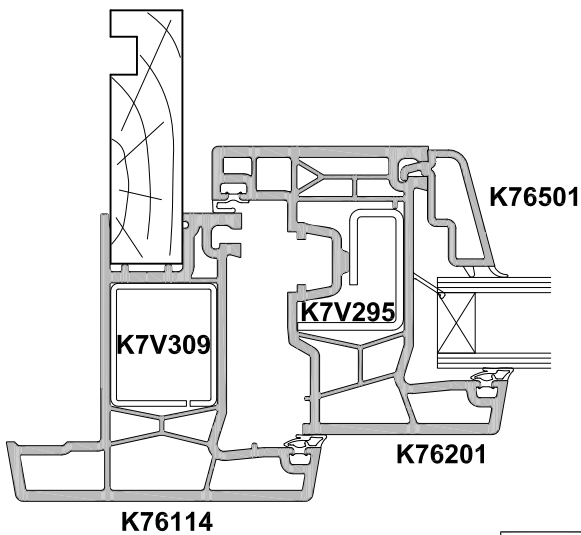
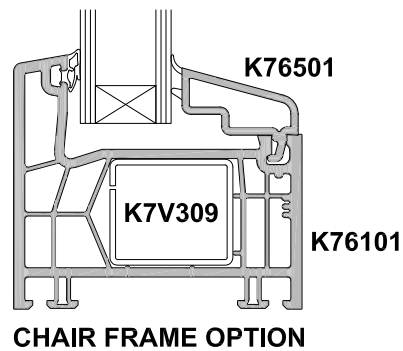
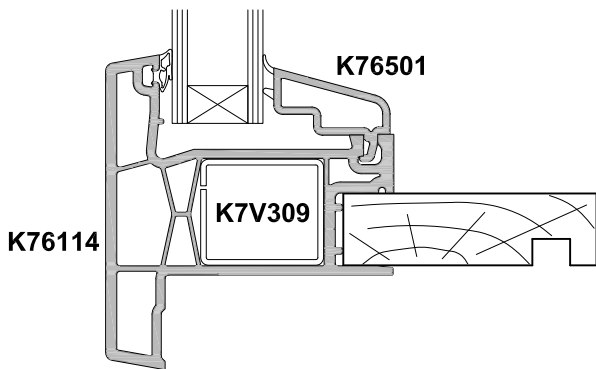
CAD REF. VKAW03-0

DATE
01.01.17

SCALE
1:2



SECTION A-A



SECTION B-B

K76301 Mullion
Refer to tables for span requirements

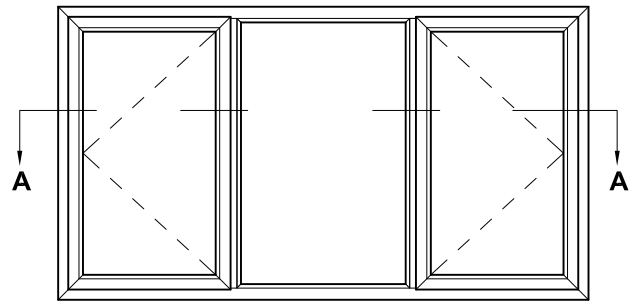
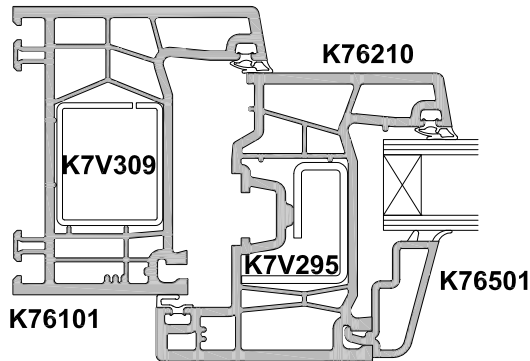


**KLIMA SERIES, CASEMENT WINDOW
HORIZONTAL DETAILS, SASH OPEN OUT
CROSS SECTION**

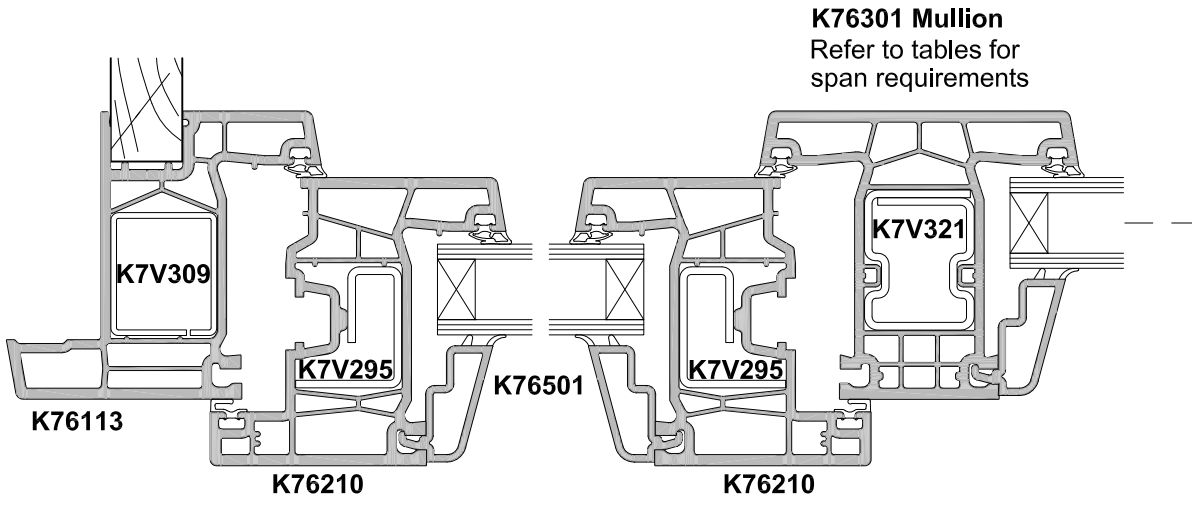
CAD REF. VKAW04-0

DATE
01.01.17

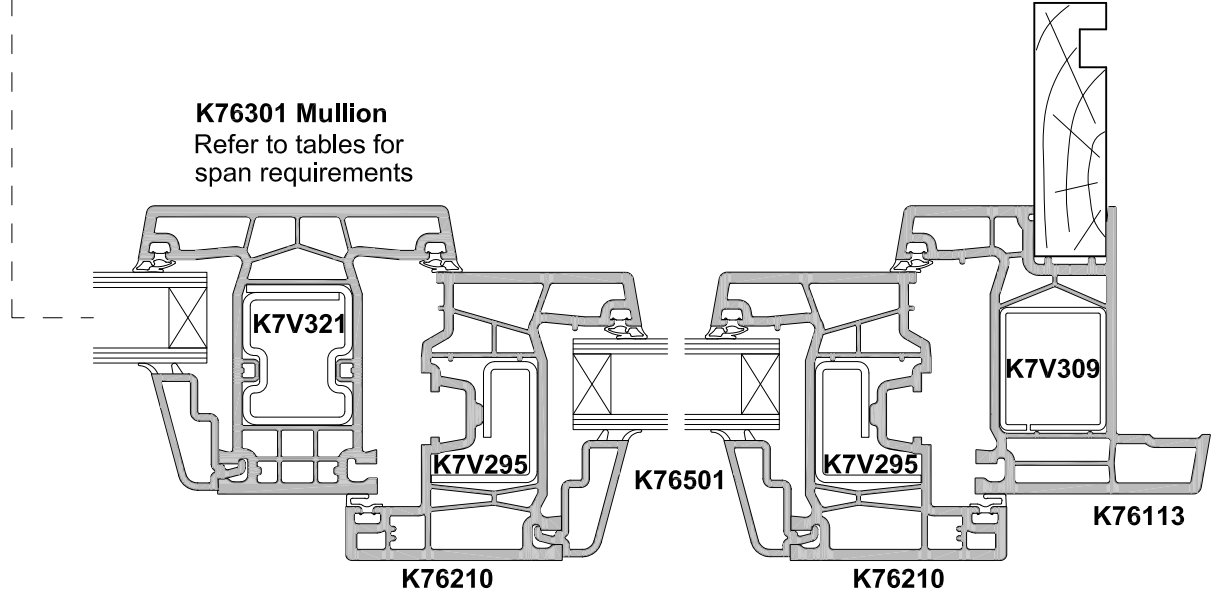
SCALE
1:2



CHAIR FRAME OPTION



SECTION A-A



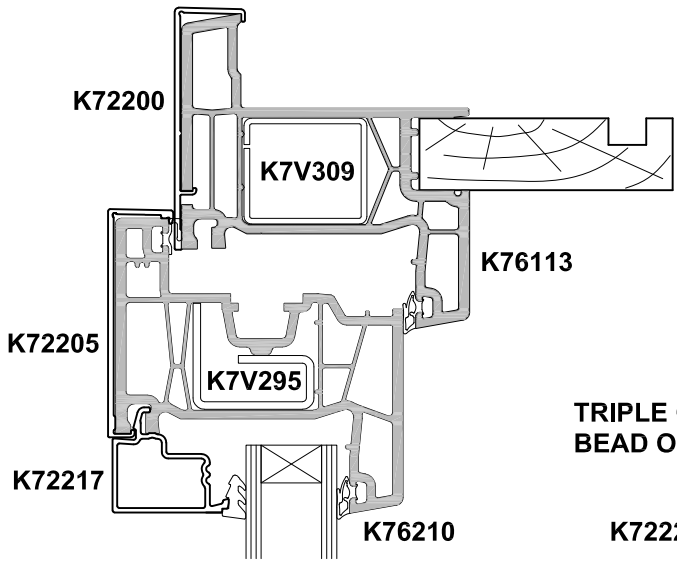


**KLIMA SERIES ALUCLIP
AWNING WINDOW, SASH OPEN OUT
CROSS SECTION**

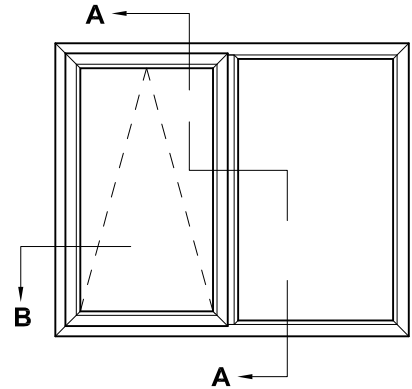
CAD REF. VKAW05-0

DATE
01.06.20

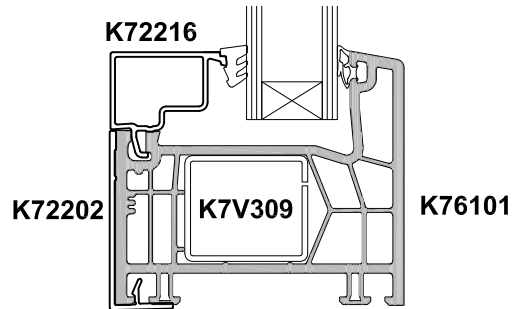
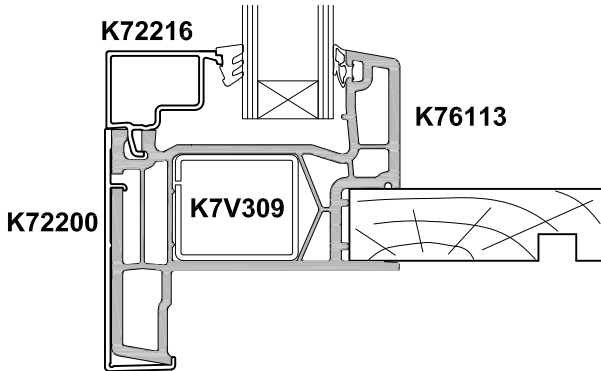
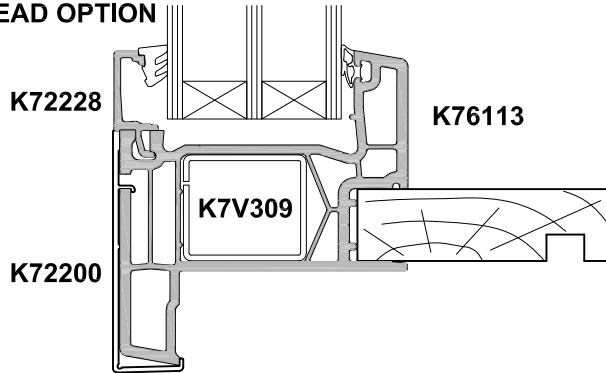
SCALE
1:2



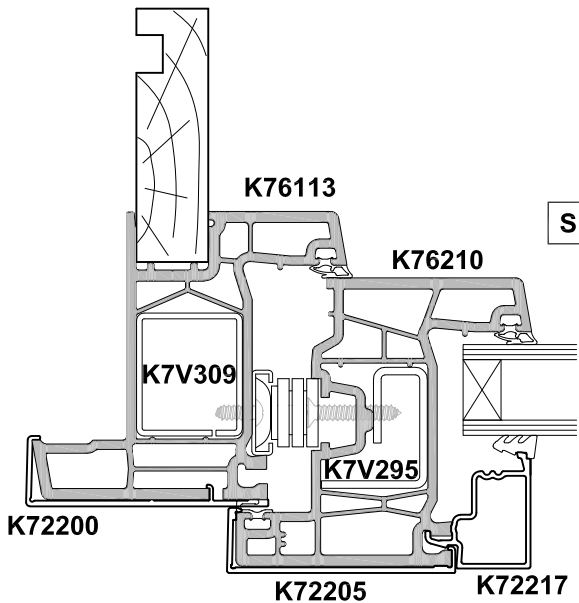
SECTION A-A



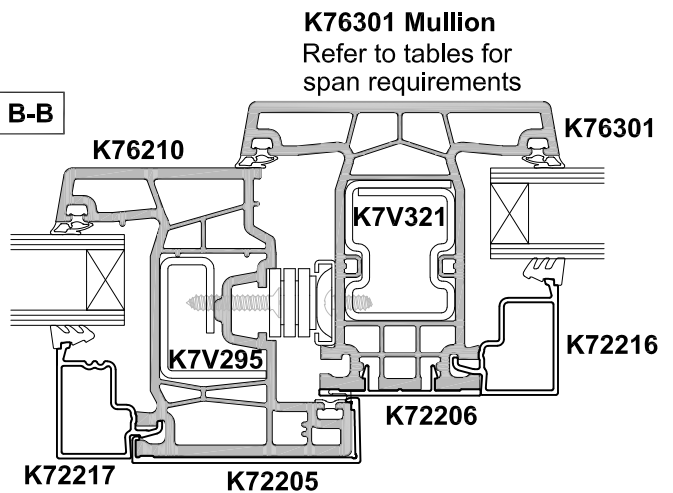
**TRIPLE GLAZING
BEAD OPTION**



CHAIR FRAME OPTION



SECTION B-B



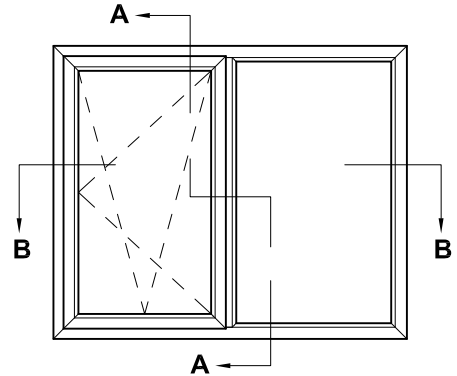
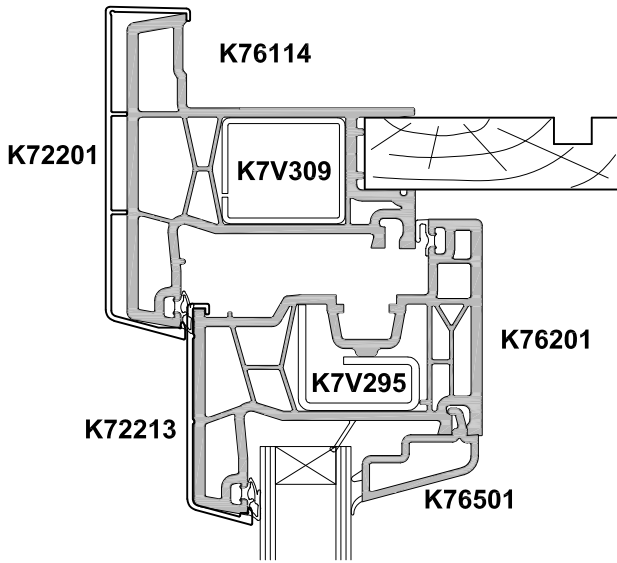


**KLIMA SERIES ALUCLIP
AWNING WINDOW, TILT AND TURN
CROSS SECTION**

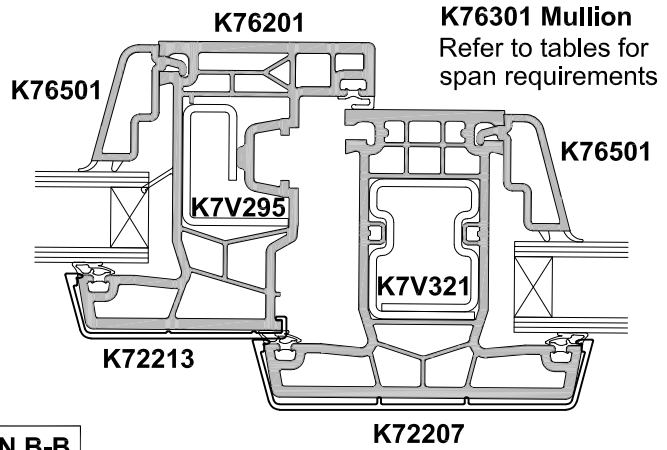
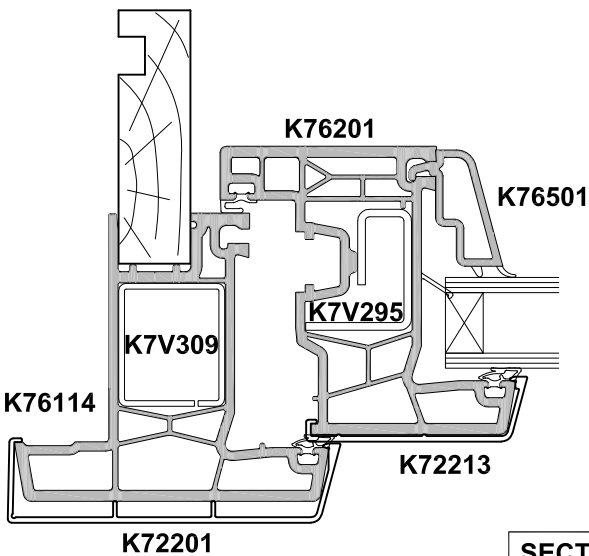
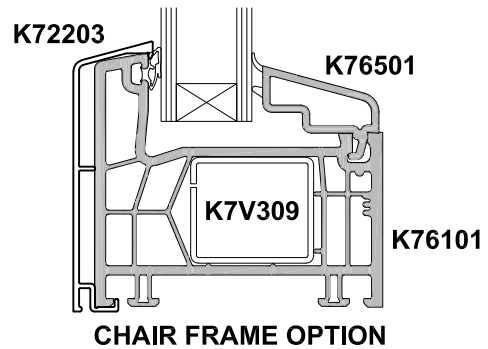
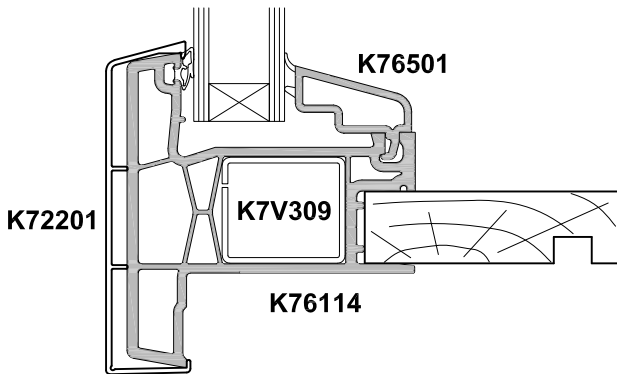
CAD REF. VKAW06-0

DATE
01.06.20

SCALE
1:2



SECTION A-A



SECTION B-B

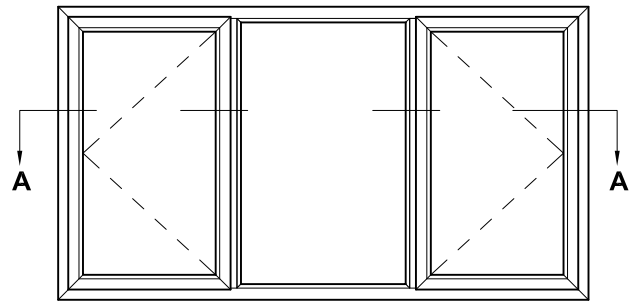
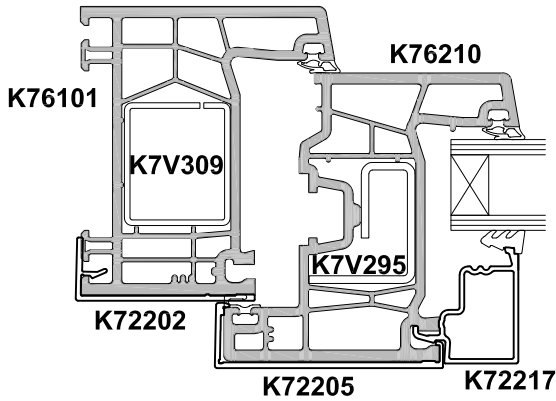


**KLIMA SERIES ALUCLIP
CASEMENT WINDOW
HORIZONTAL DETAILS, SASH OPEN OUT
CROSS SECTION**

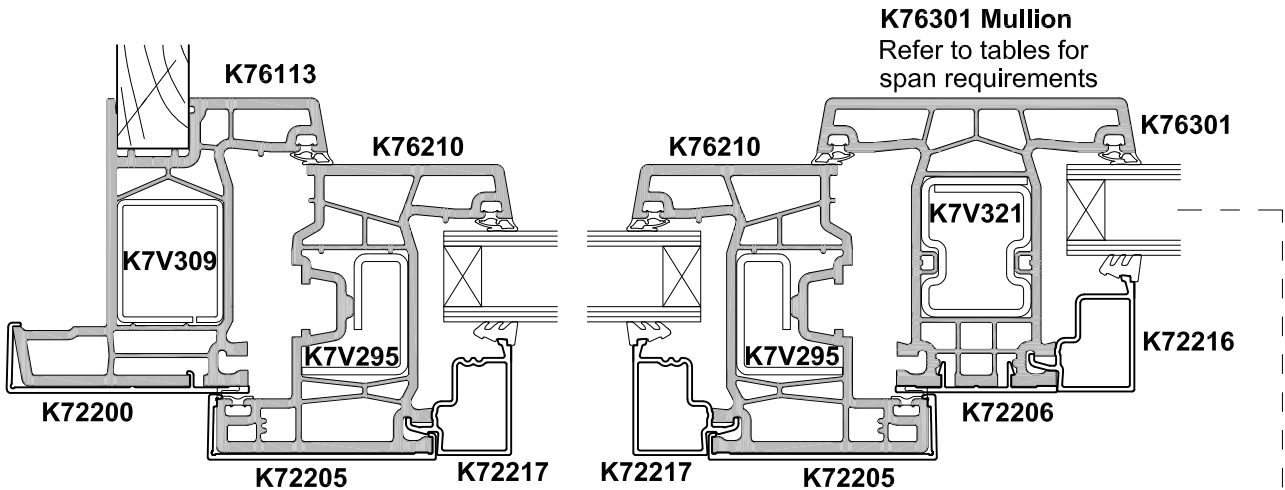
CAD REF. VKAW07-0

DATE
01.06.20

SCALE
1:2



CHAIR FRAME OPTION



SECTION A-A

