

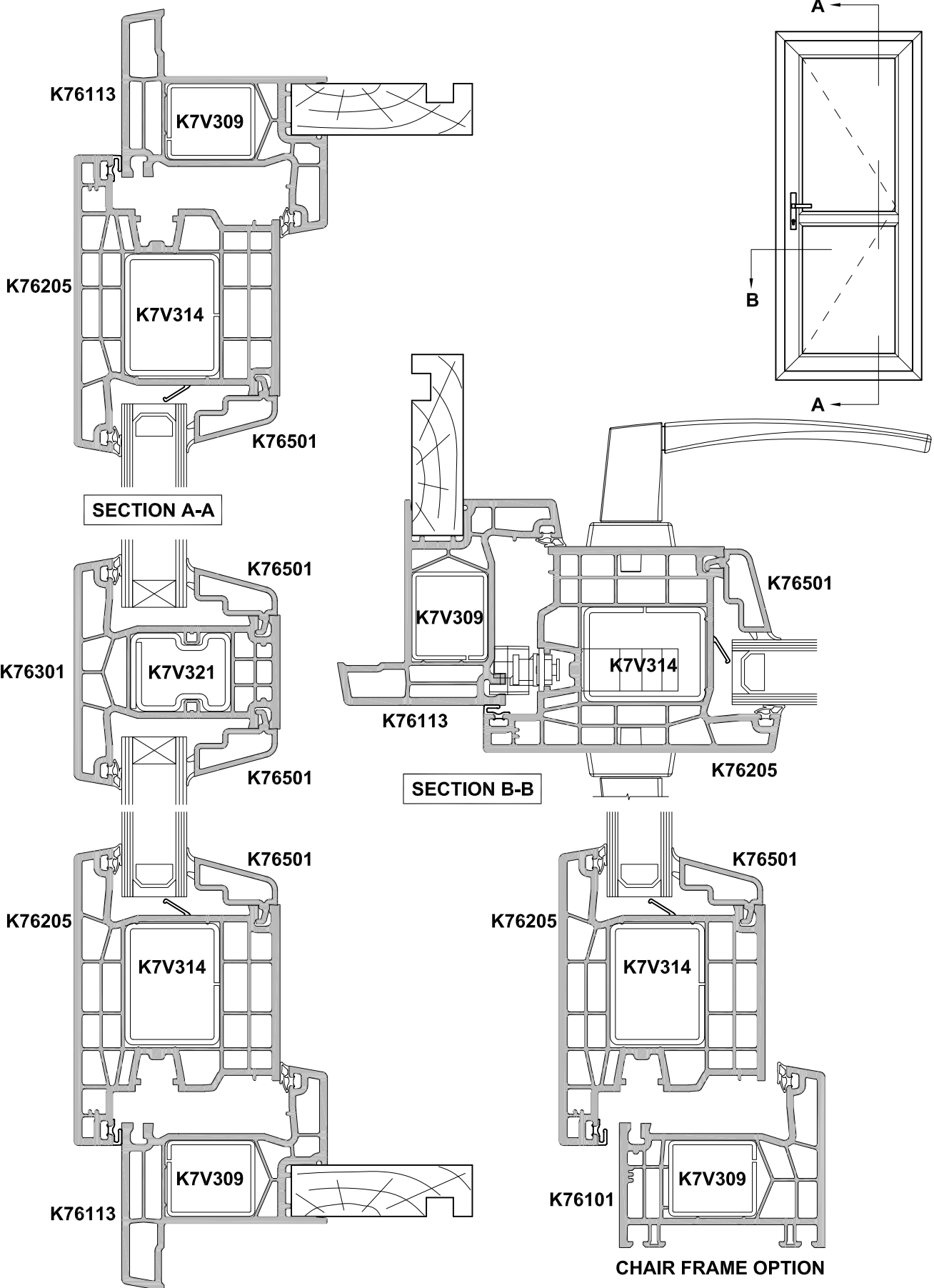


**KLIMA SERIES, HINGED DOOR
OPEN OUT
CROSS SECTION**

CAD REF. VKHD02-0

DATE
29.07.19

SCALE
1:2



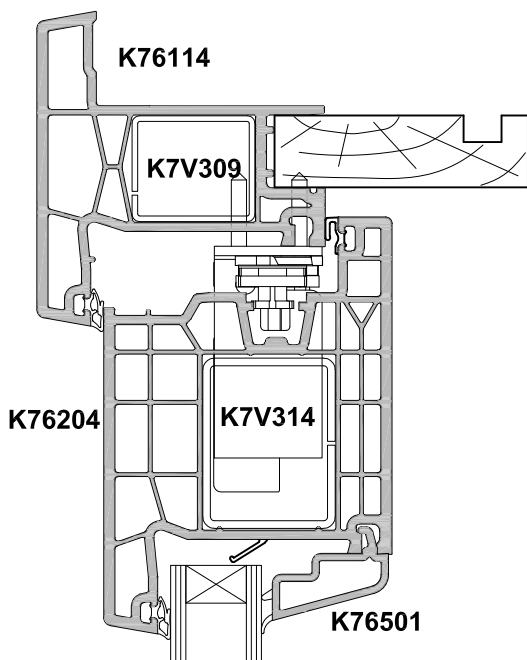


KLIMA SERIES, HINGED DOOR OPEN IN CROSS SECTION

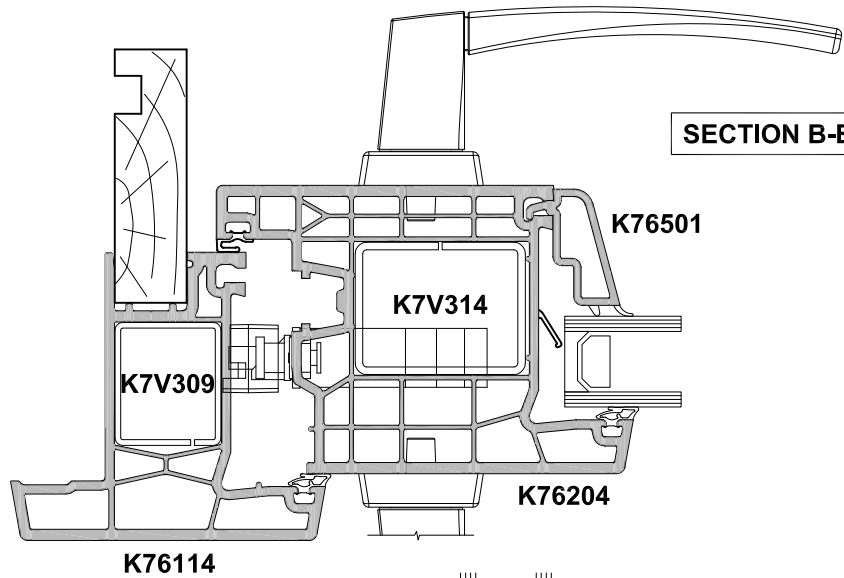
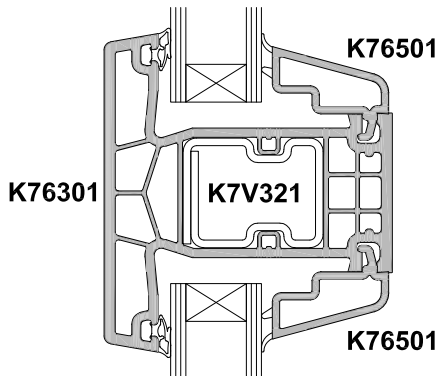
CAD REF. VKHD03-0

DATE
29.07.19

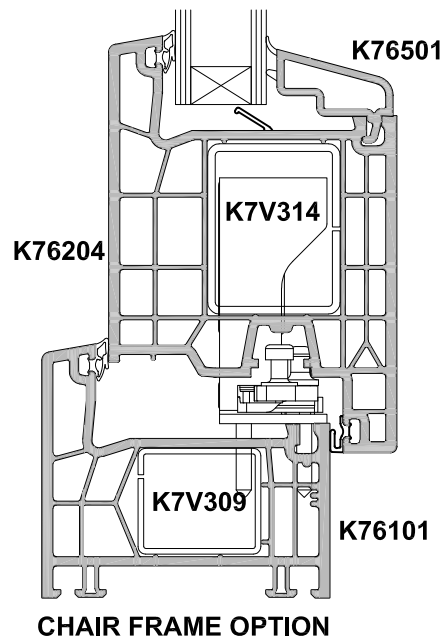
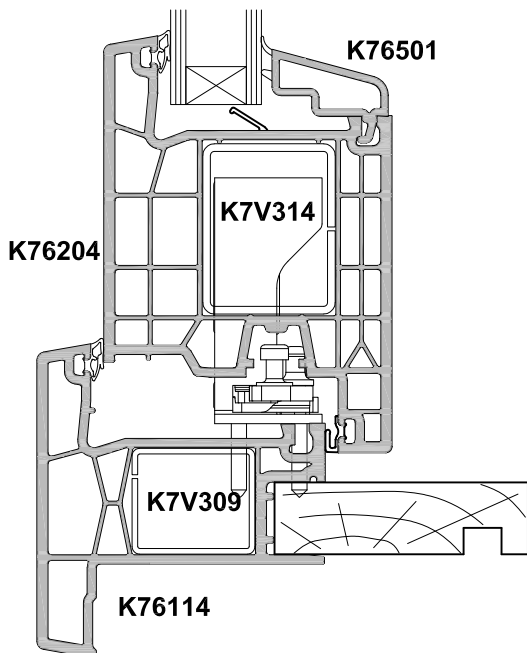
SCALE
1:2



SECTION A-A



SECTION B-B



CHAIR FRAME OPTION

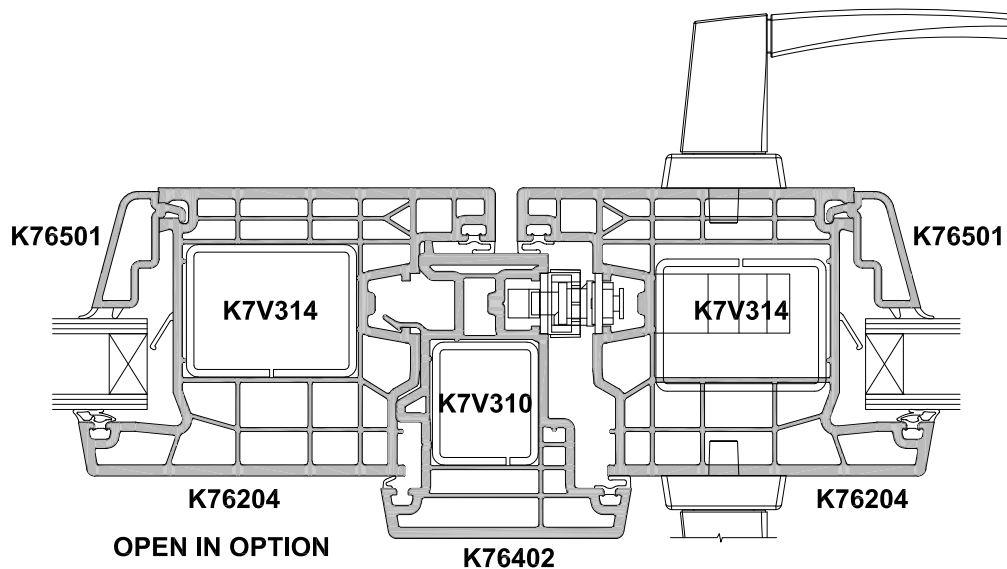
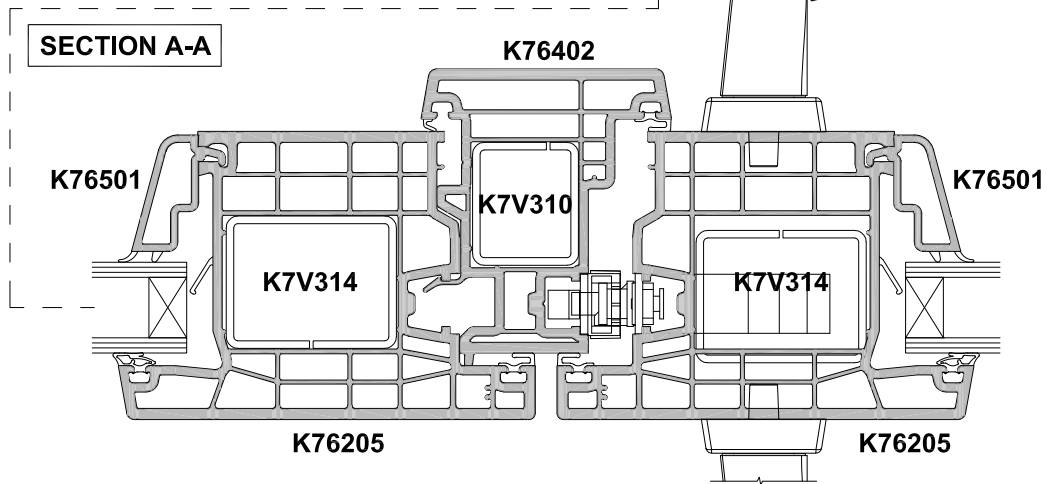
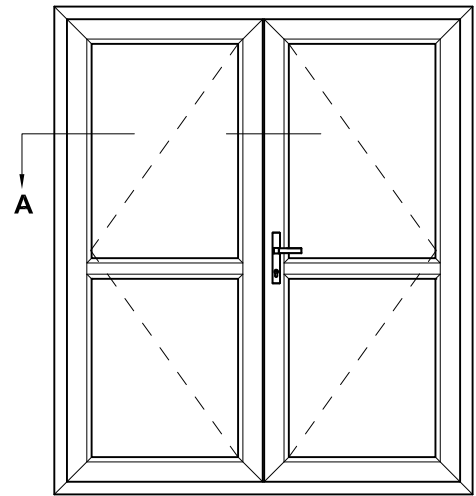
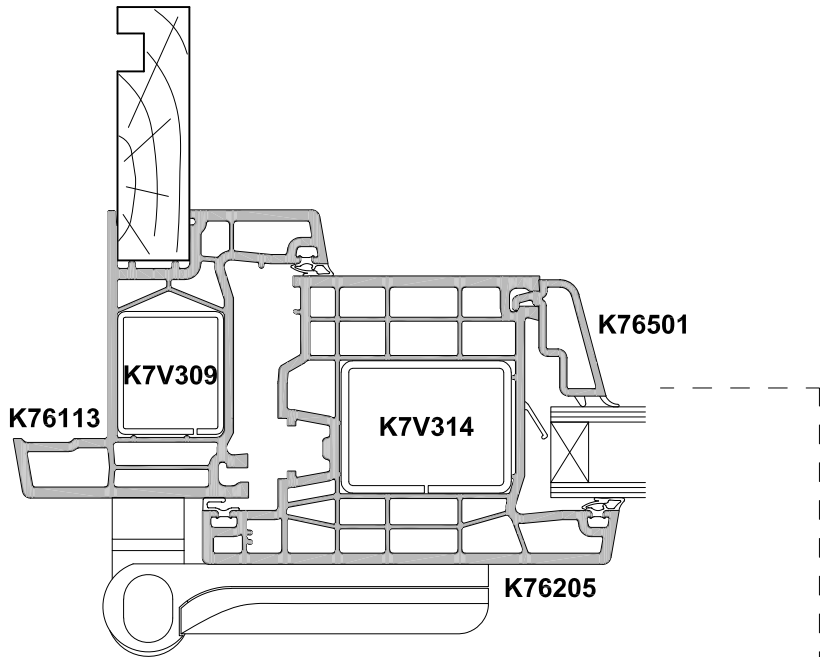


KLIMA SERIES
FRENCH DOOR, OPEN OUT AND OPEN IN
CROSS SECTION

CAD REF. VKHD04-0

DATE
29.07.19

SCALE
1:2



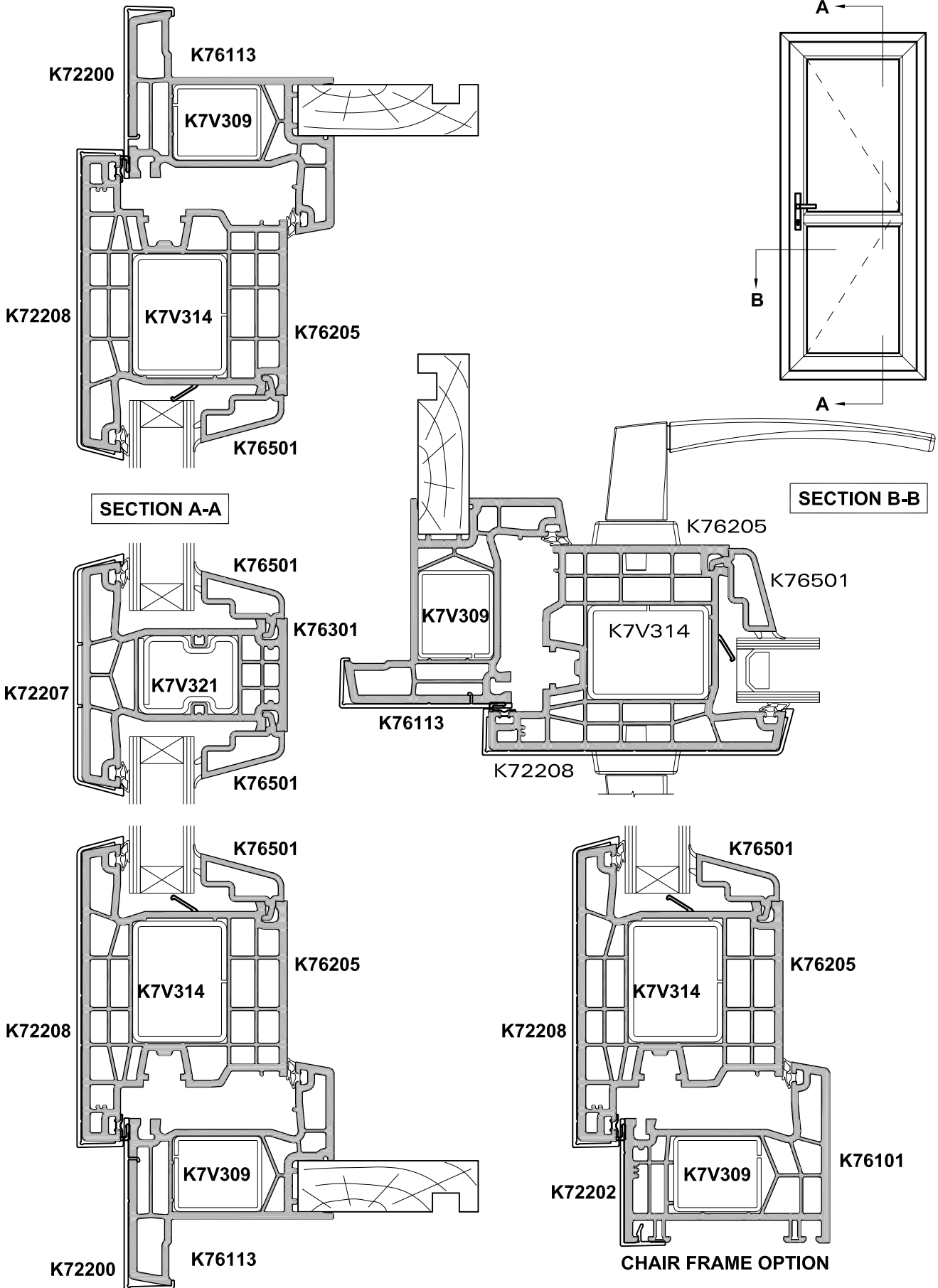


**KLIMA SERIES ALUCLIP
HINGED DOOR OPEN OUT
CROSS SECTION**

CAD REF. VKHD05-0

DATE
28.09.21

SCALE
1:2



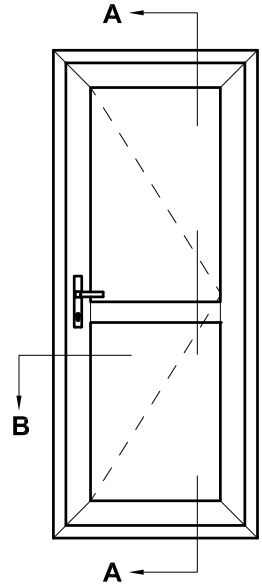
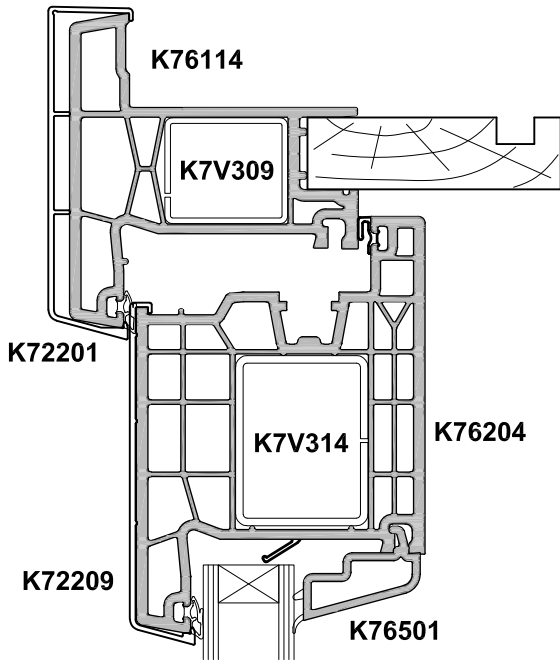


**KLIMA SERIES ALUCLIP
HINGED DOOR OPEN IN
CROSS SECTION**

CAD REF. VKHD06-0

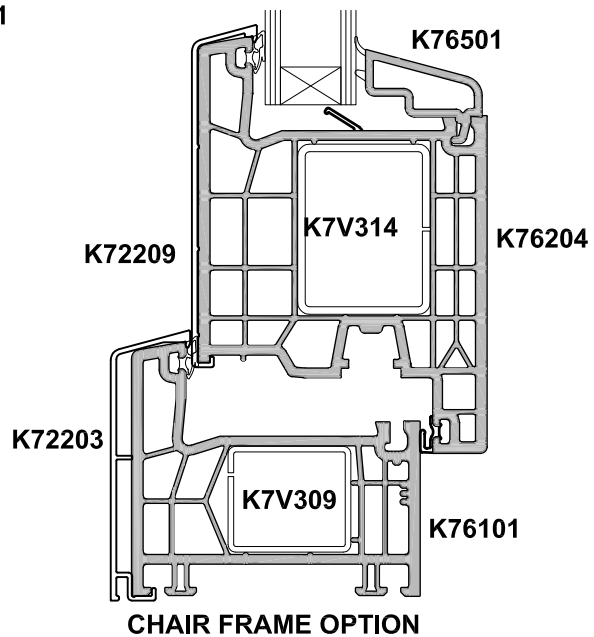
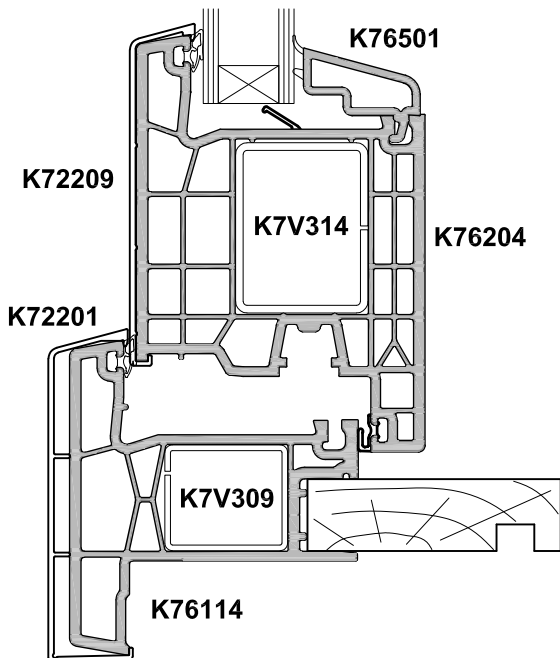
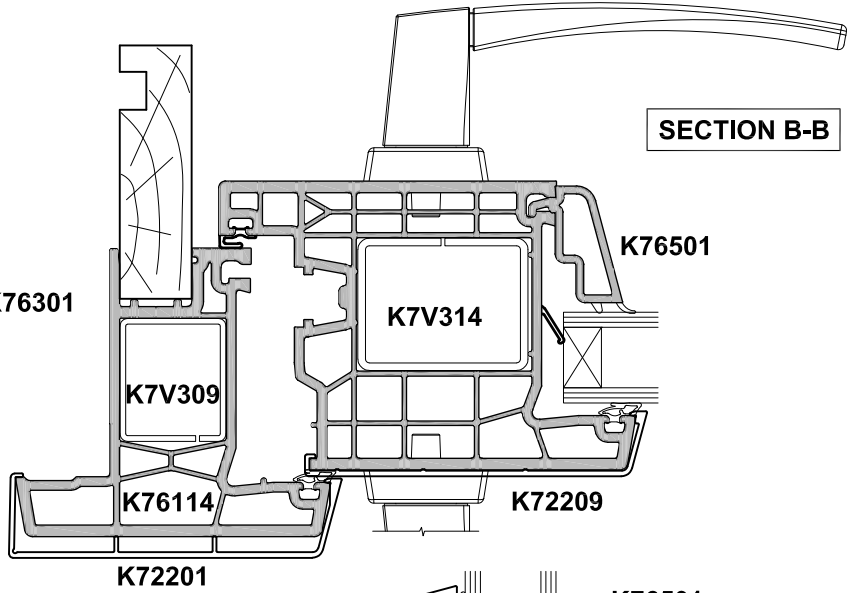
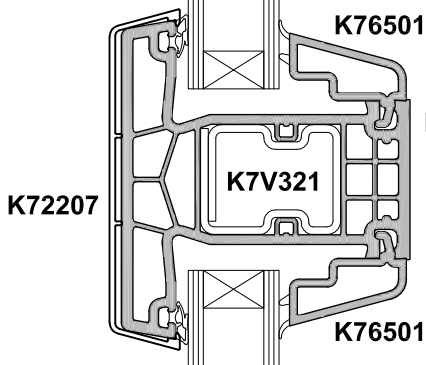
DATE
28.09.21

SCALE
1:2



SECTION A-A

SECTION B-B



CHAIR FRAME OPTION

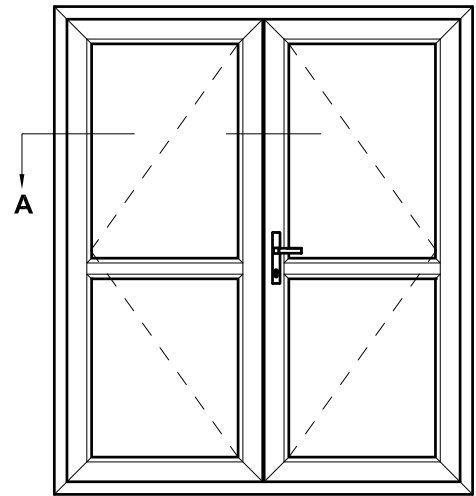
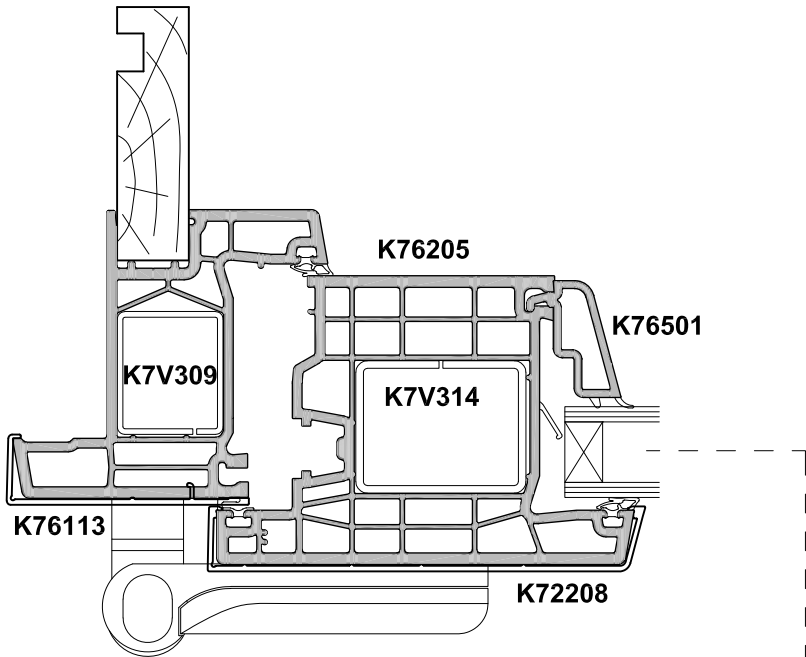


KLIMA SERIES
FRENCH DOOR, OPEN OUT AND OPEN IN
CROSS SECTION

CAD REF. VKHD04-0

DATE
28.09.21

SCALE
1:2



SECTION A-A

