

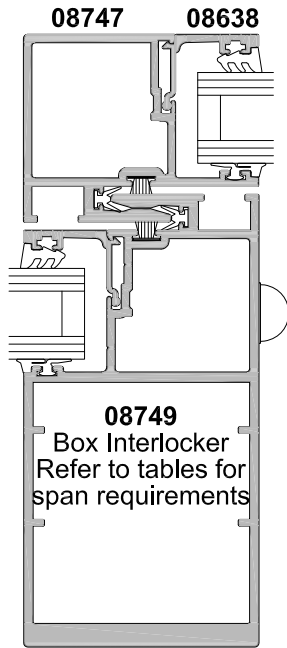


**APL ARCHITECTURAL SERIES
SLIDING DOOR - TWIN TRACK
CROSS SECTION**

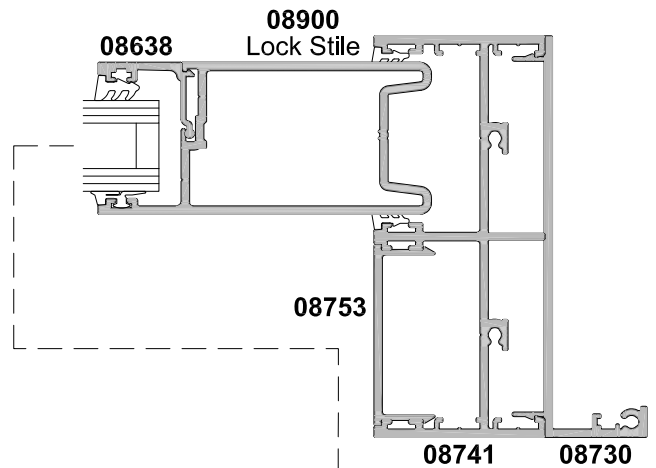
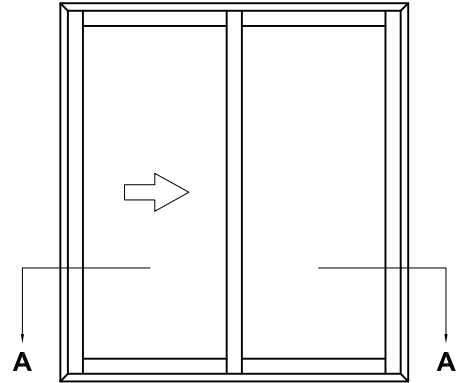
CAD REF. VASD02-0

DATE
01.10.16

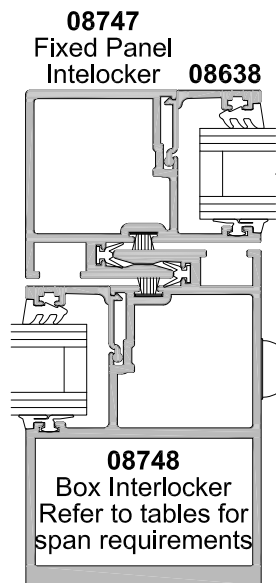
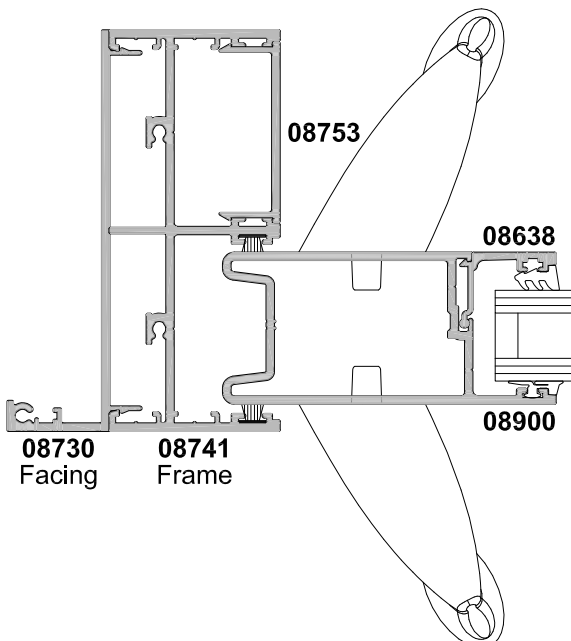
SCALE
1:2



HEAVY DUTY INTERLOCKER OPTION



SECTION A-A



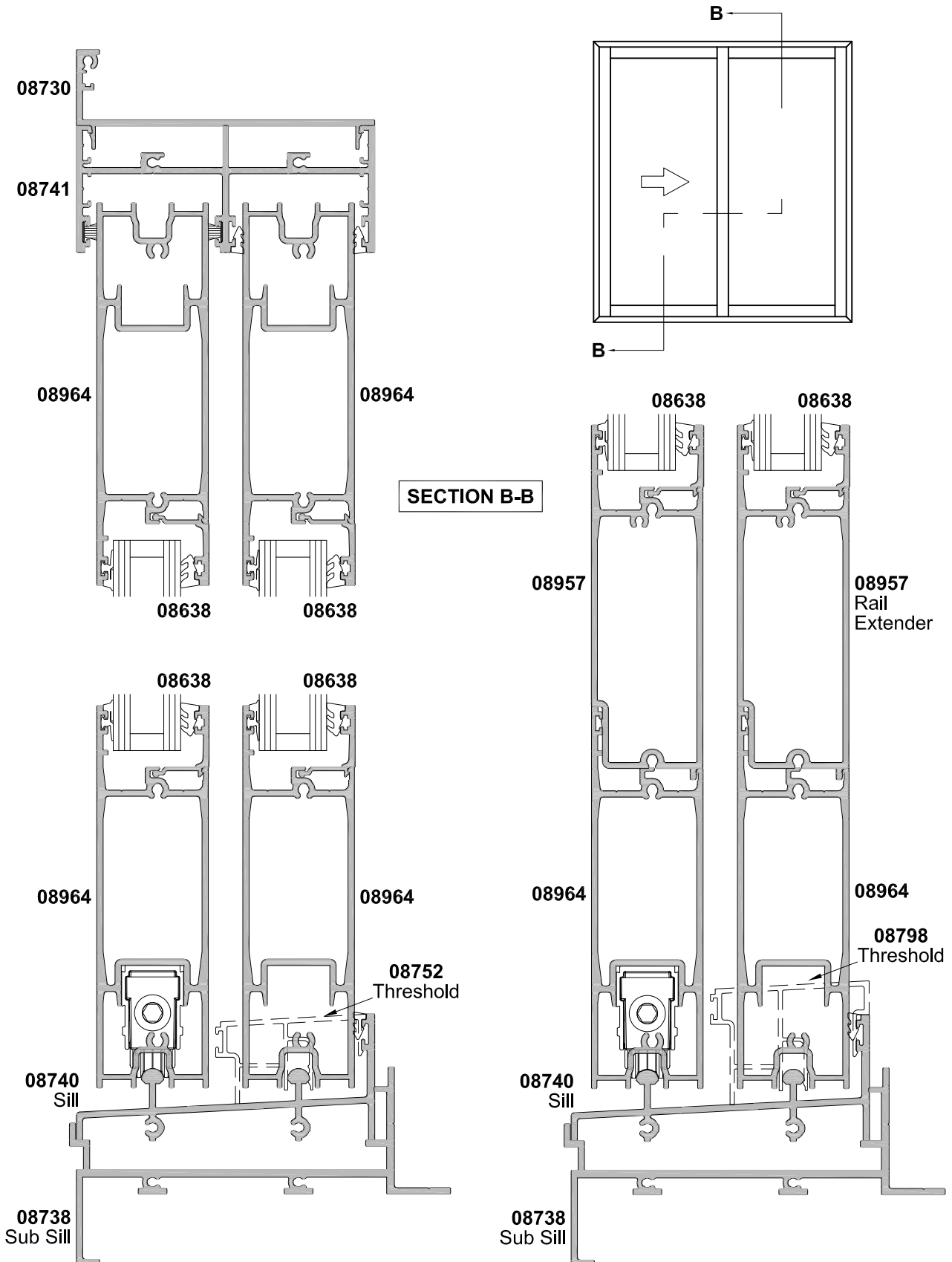


**APL ARCHITECTURAL SERIES
SLIDING DOOR - TWIN TRACK
CROSS SECTION**

CAD REF. VASD03-0

DATE
27.09.19

SCALE
1:2



**HIGH PERFORMANCE THRESHOLD AND
RAIL EXTENDER OPTION**

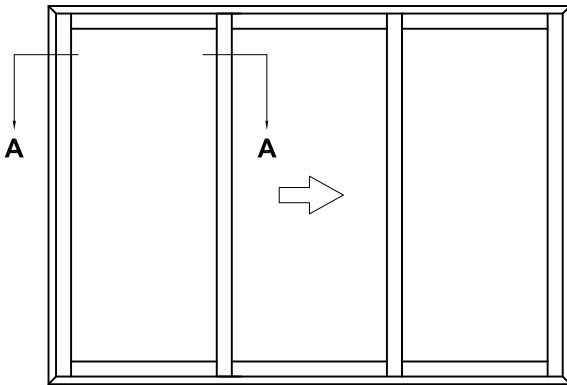


APL ARCHITECTURAL SERIES
SLIDING DOOR -
TWIN TRACK, 3 PANEL
 CROSS SECTION

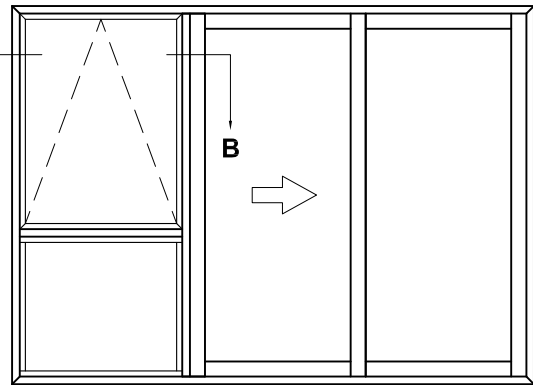
CAD REF. VASD04-0

DATE
01.10.16

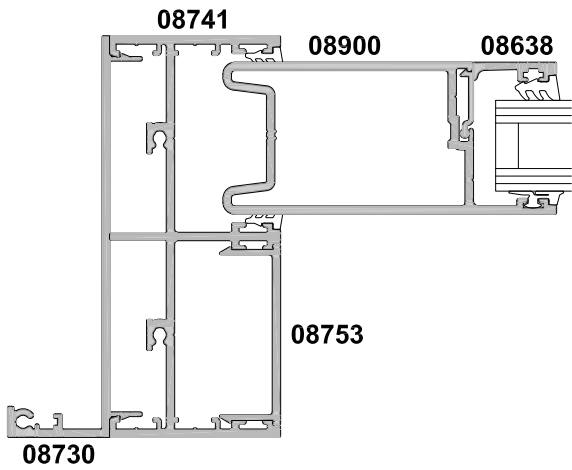
SCALE
1:2



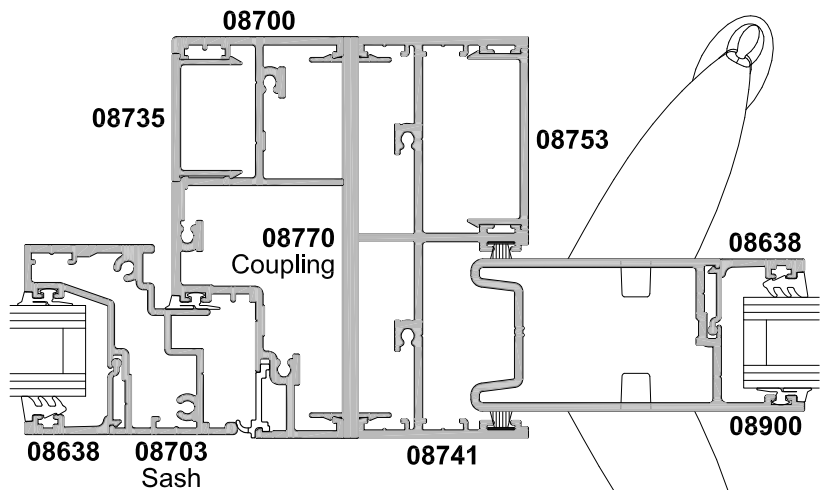
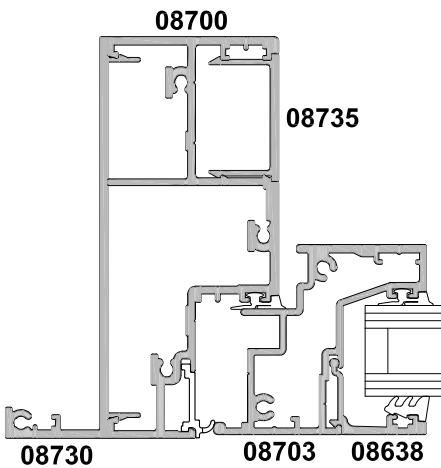
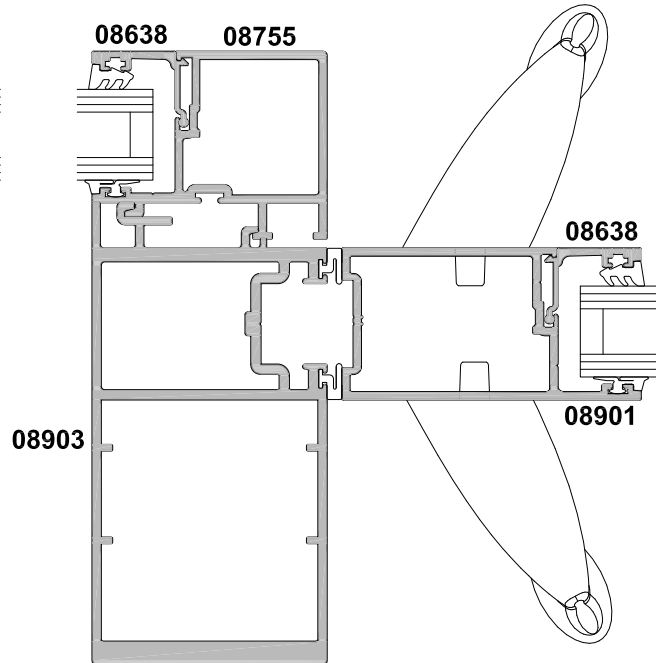
3 PANEL FSF



2 PANEL SF WITH AWNING WINDOW



SECTION A-A



SECTION B-B

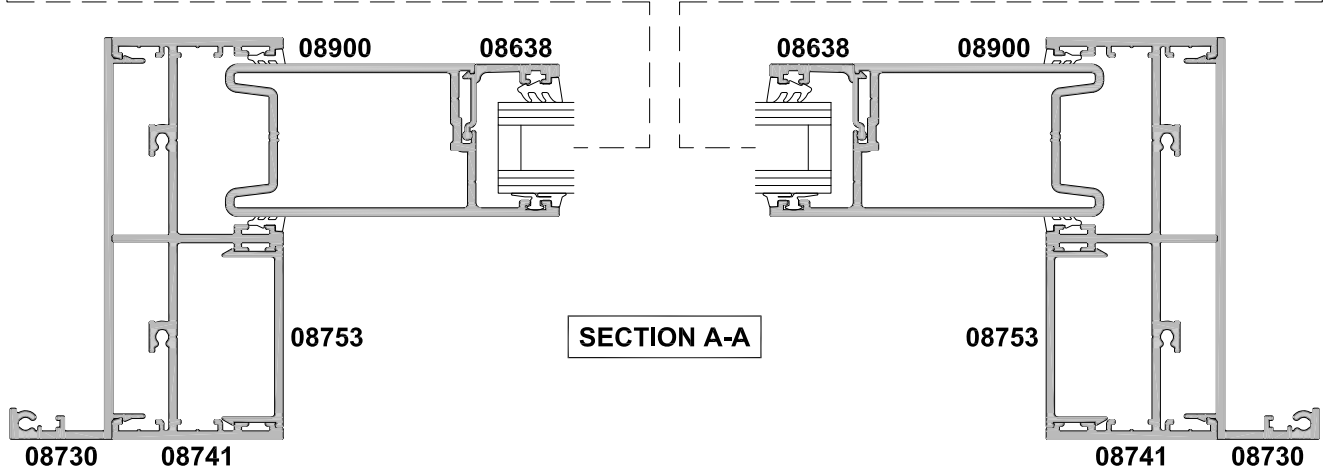
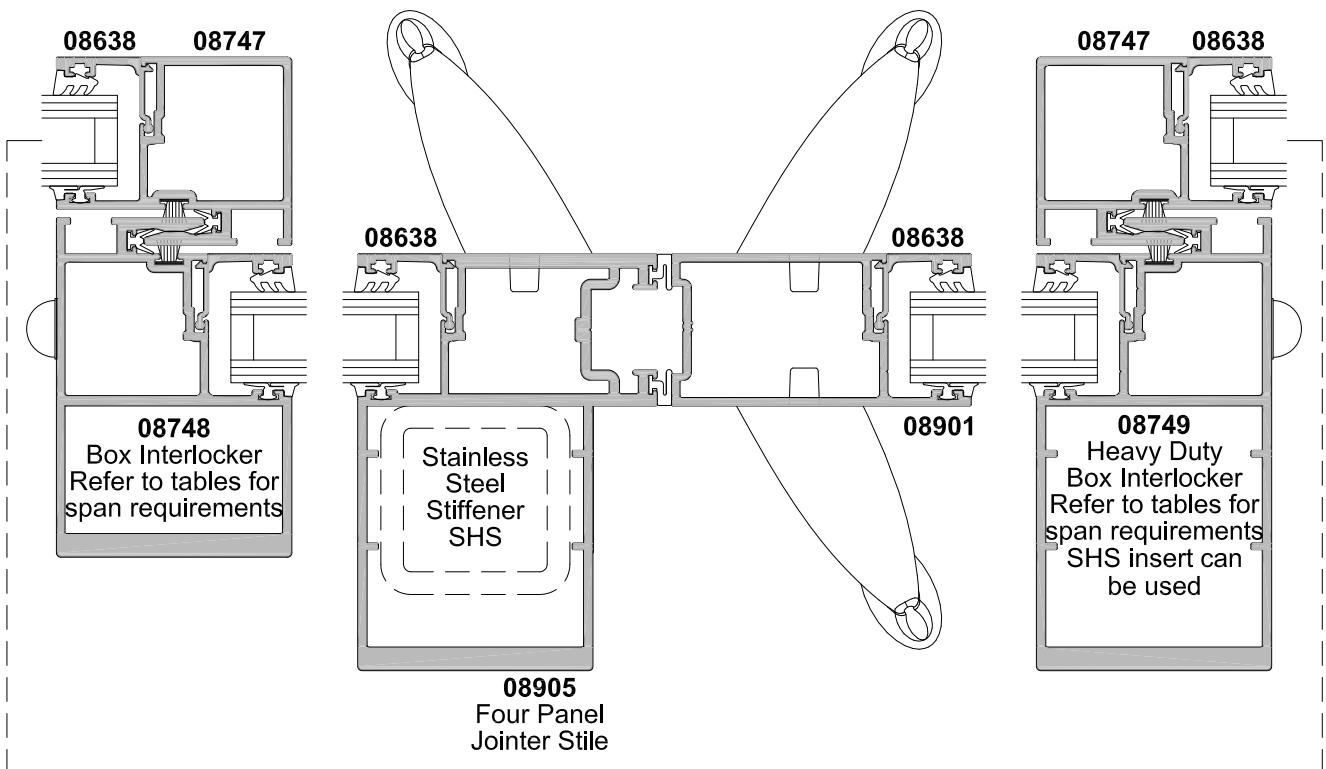
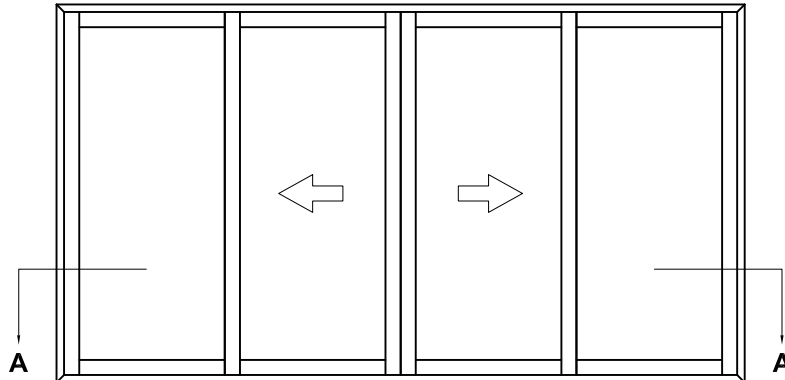


APL ARCHITECTURAL SERIES
SLIDING DOOR -
TWIN TRACK, 4 PANEL
 CROSS SECTION

CAD REF. VASD05-0

DATE
01.10.16

SCALE
1:2



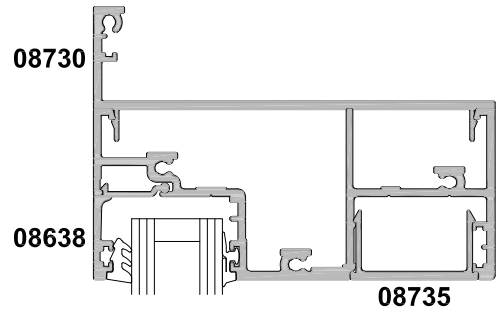
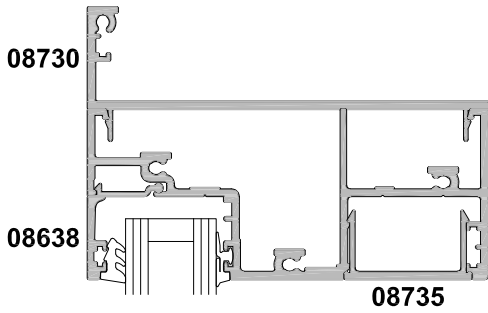
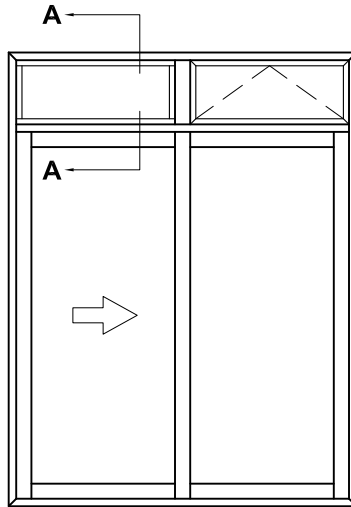


**APL ARCHITECTURAL SERIES
SLIDING DOOR -
TWIN TRACK WITH OVERLIGHT
CROSS SECTION**

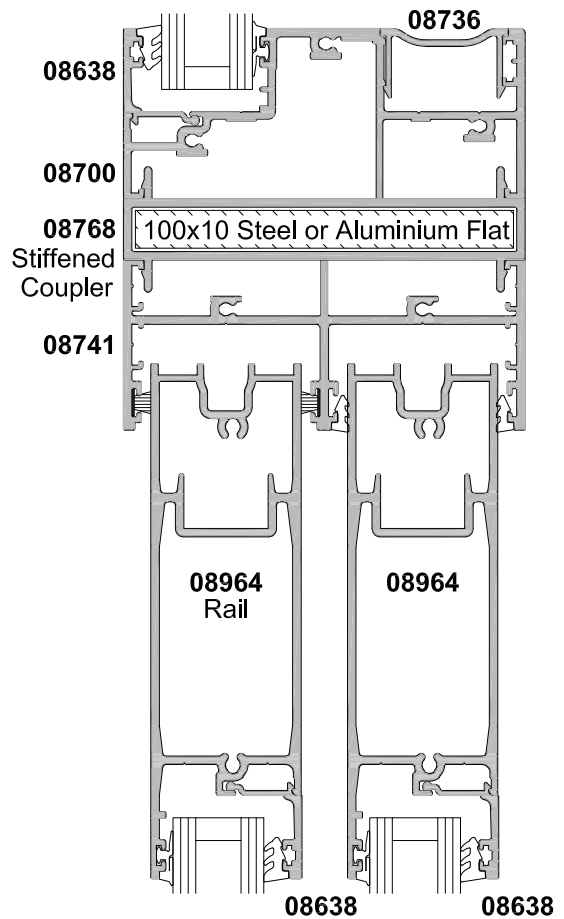
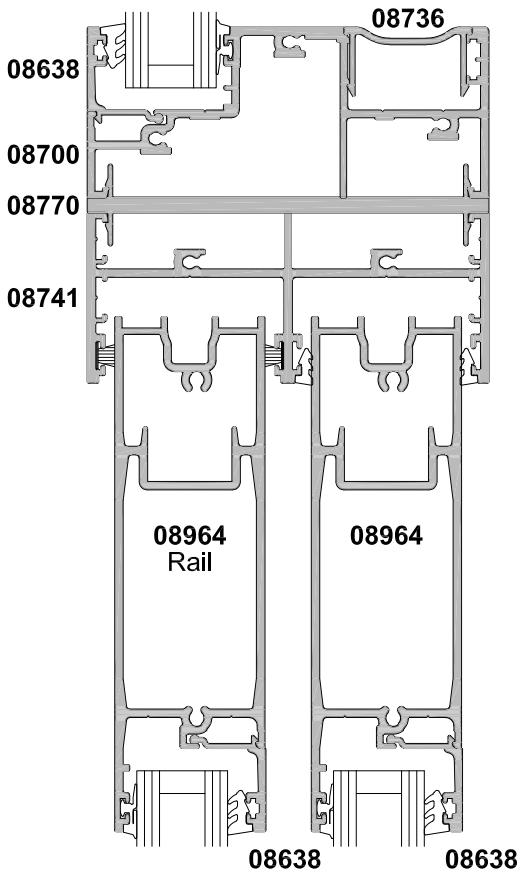
CAD REF. VASD06-0

DATE
27.09.19

SCALE
1:2



SECTION A-A



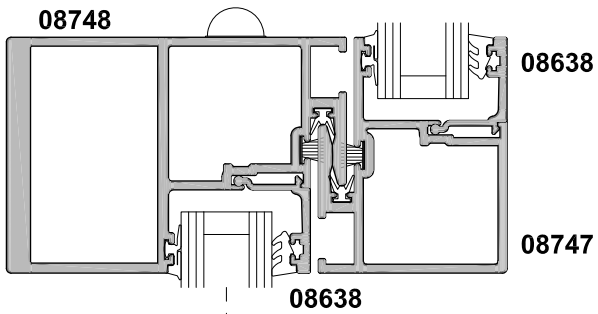
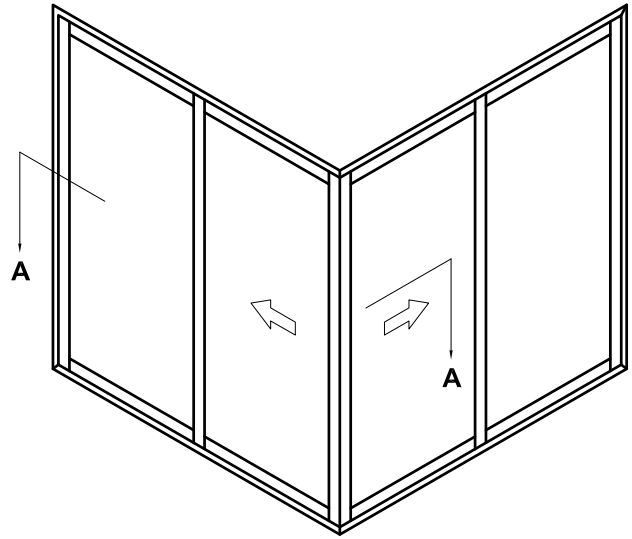
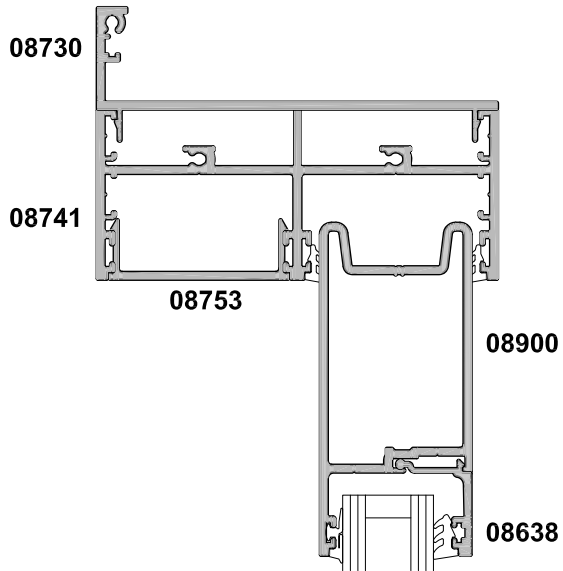


APL ARCHITECTURAL SERIES
SLIDING DOOR -
TWIN TRACK 90° CORNER
CROSS SECTION

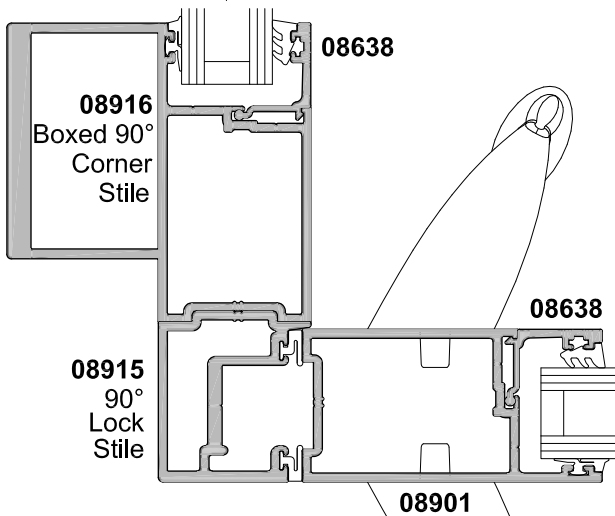
CAD REF. VASD07-0

DATE
01.10.16

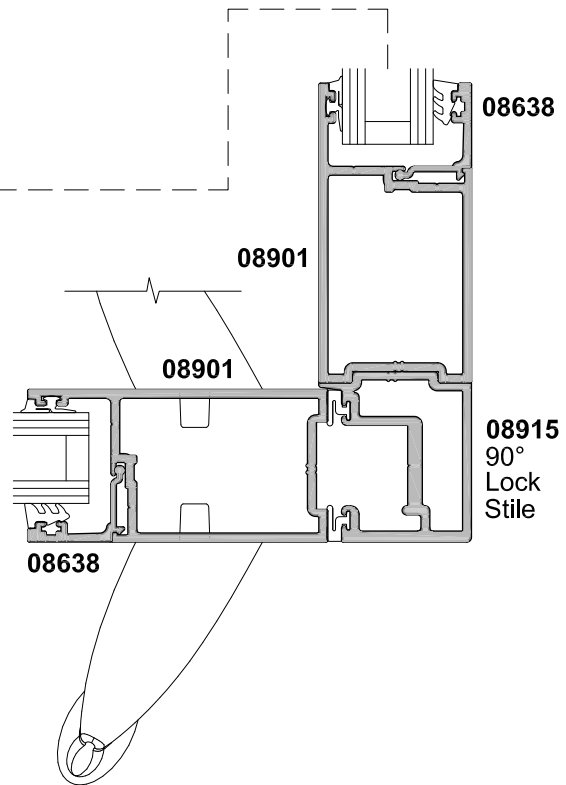
SCALE
1:2



SECTION A-A



EXTERNAL CORNER OPTION



INTERNAL CORNER OPTION

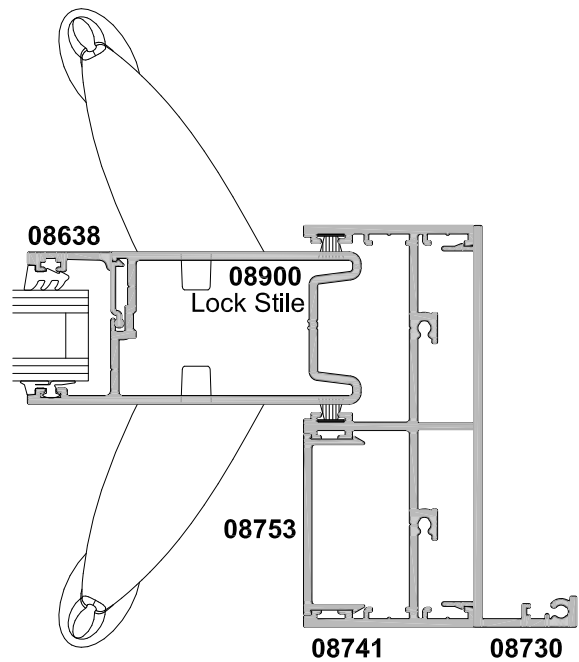
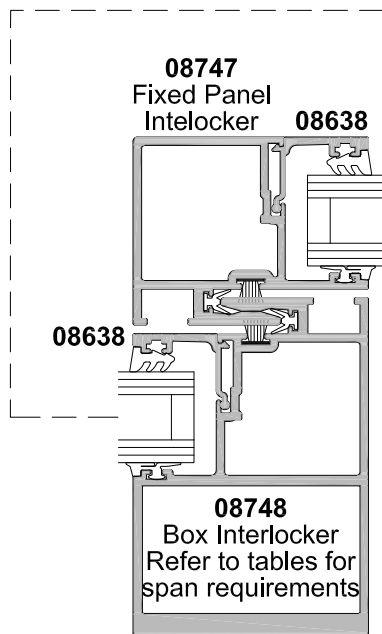
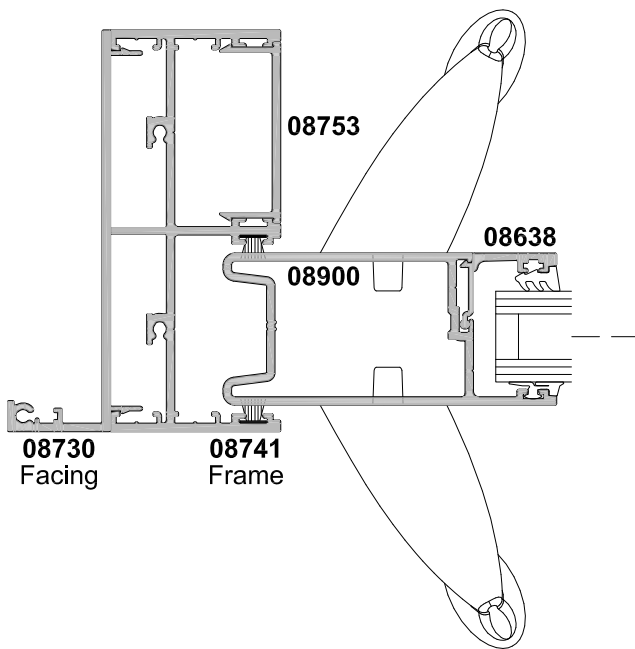
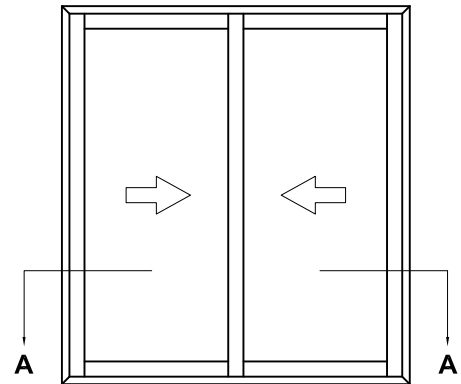


APL ARCHITECTURAL SERIES BYPASS SLIDING DOOR CROSS SECTION

CAD REF. VASD08-0

DATE
01.10.16

SCALE
1:2



SECTION A-A

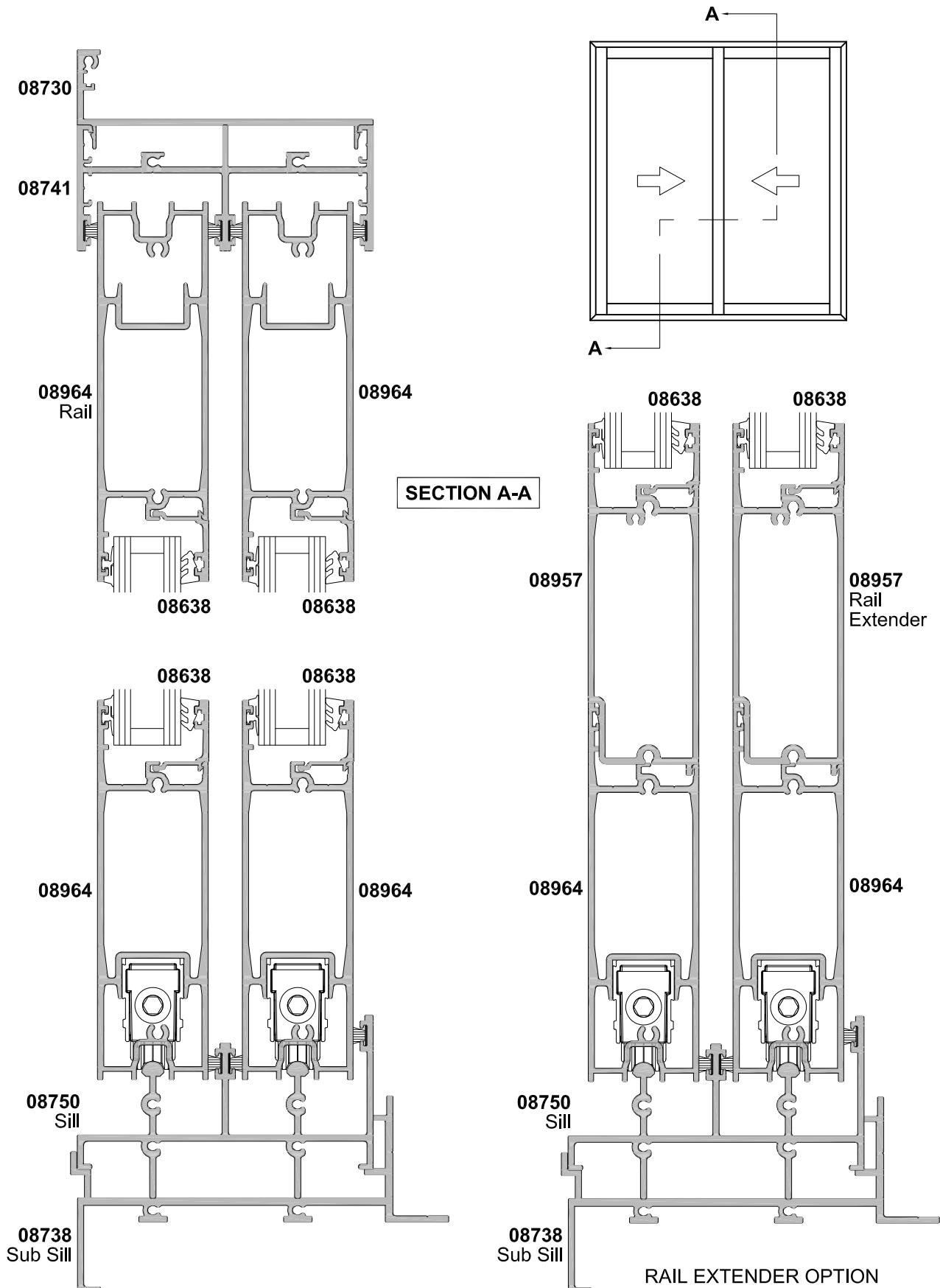


**APL ARCHITECTURAL SERIES
BYPASS SLIDING DOOR
CROSS SECTION**

CAD REF. VASD09-0

DATE
27.09.19

SCALE
1:2





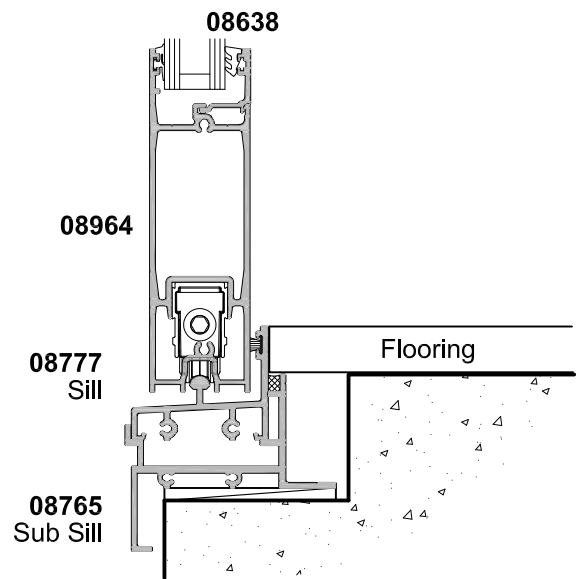
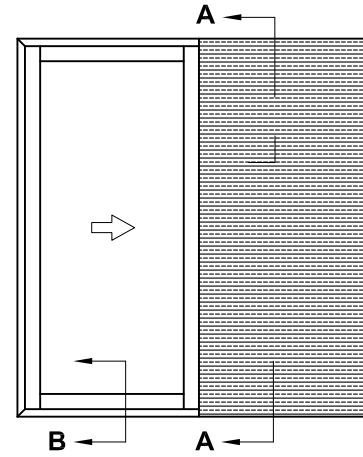
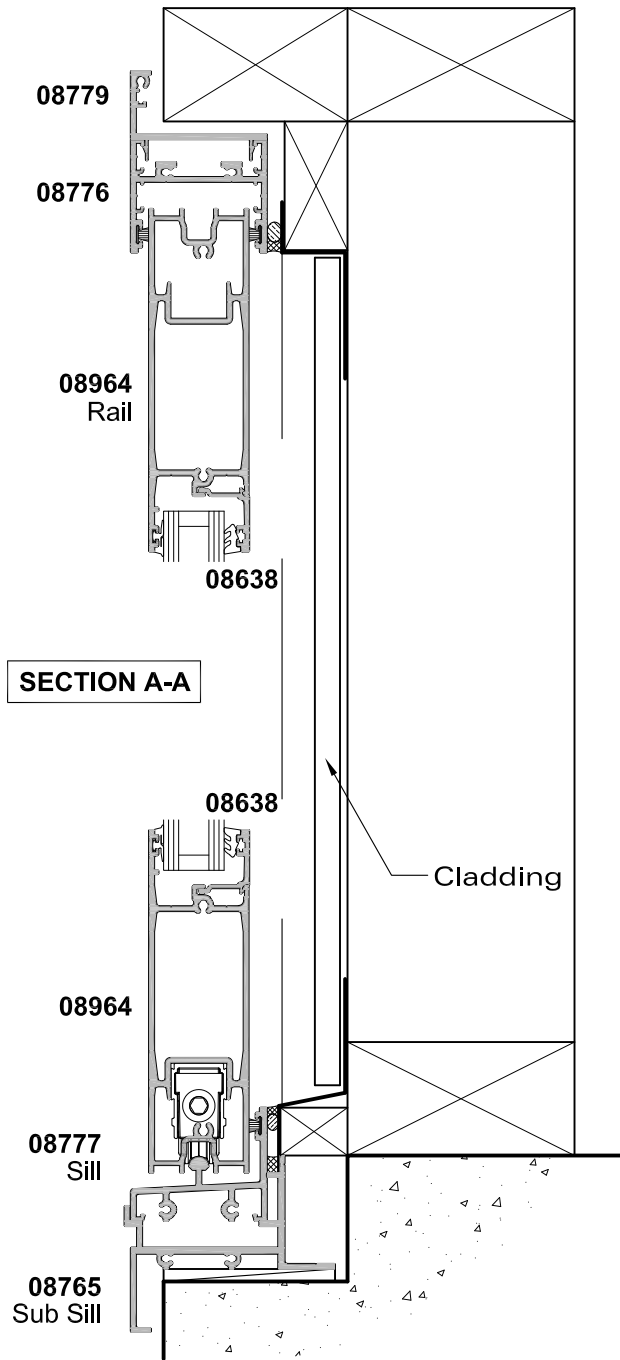
**APL ARCHITECTURAL SERIES
SLIDING DOOR
SINGLE PANEL OVER WALL
CROSS SECTION**

CAD REF. VASD10-0

DATE
27.09.19

SCALE
1:3

Cladding and head
flashing not shown



NOTE: This detail is typical only and may differ for various claddings and building in situations.
Contact APL Technical Advisory Service for more information

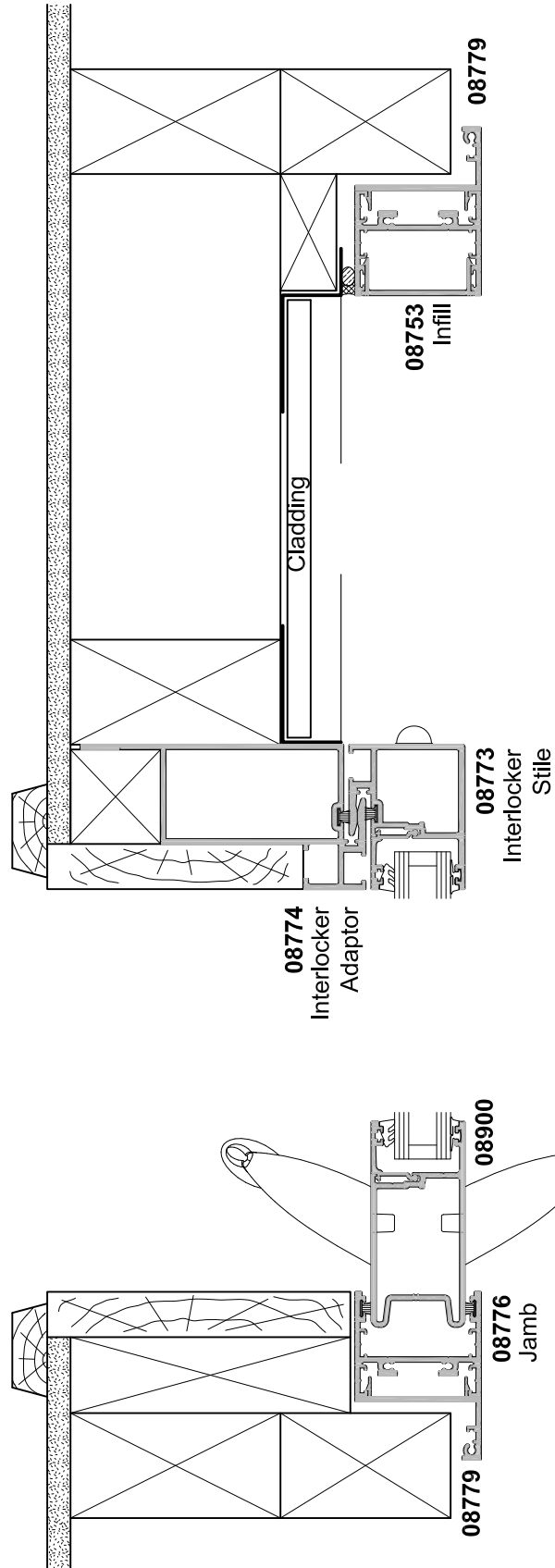
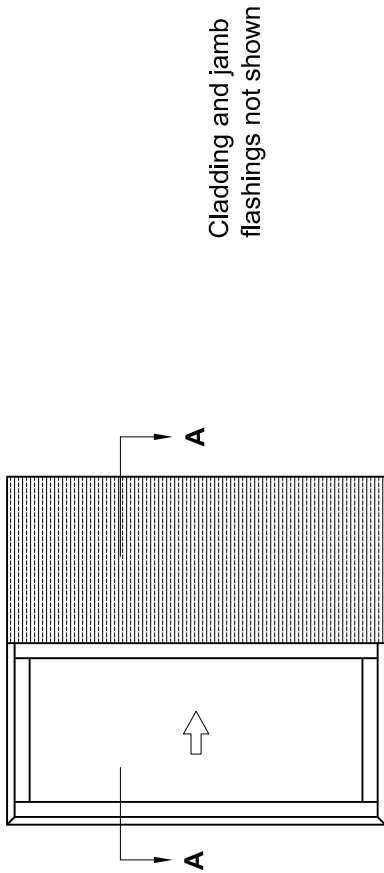


**APL ARCHITECTURAL SERIES
SLIDING DOOR -
SINGLE PANEL OVER WALL
CROSS SECTION**

CAD REF. VASD11-0

DATE
01.10.16

SCALE
1:3



SECTION A-A

NOTE: This detail is typical only and may differ for various claddings and building in situations.
Contact APL Technical Advisory Service for more information

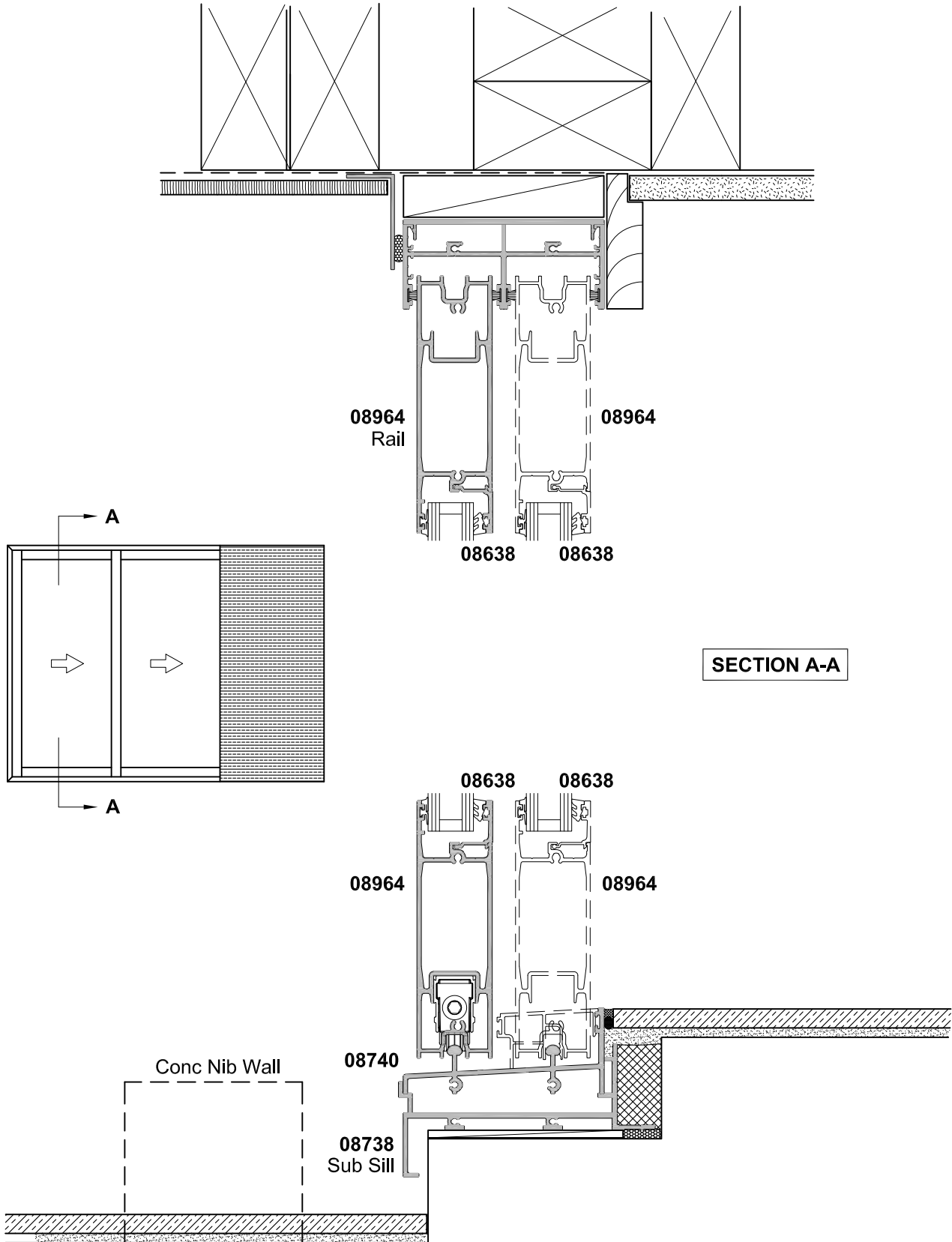


**APL ARCHITECTURAL SERIES
SLIDING DOOR -
DOUBLE PANEL INTO CAVITY
CROSS SECTION**

CAD REF. VASD12-0

DATE
27.09.19

SCALE
1:3



NOTE: This detail is typical only and may differ for various claddings and building in situations.
Contact APL Technical Advisory Service for more information

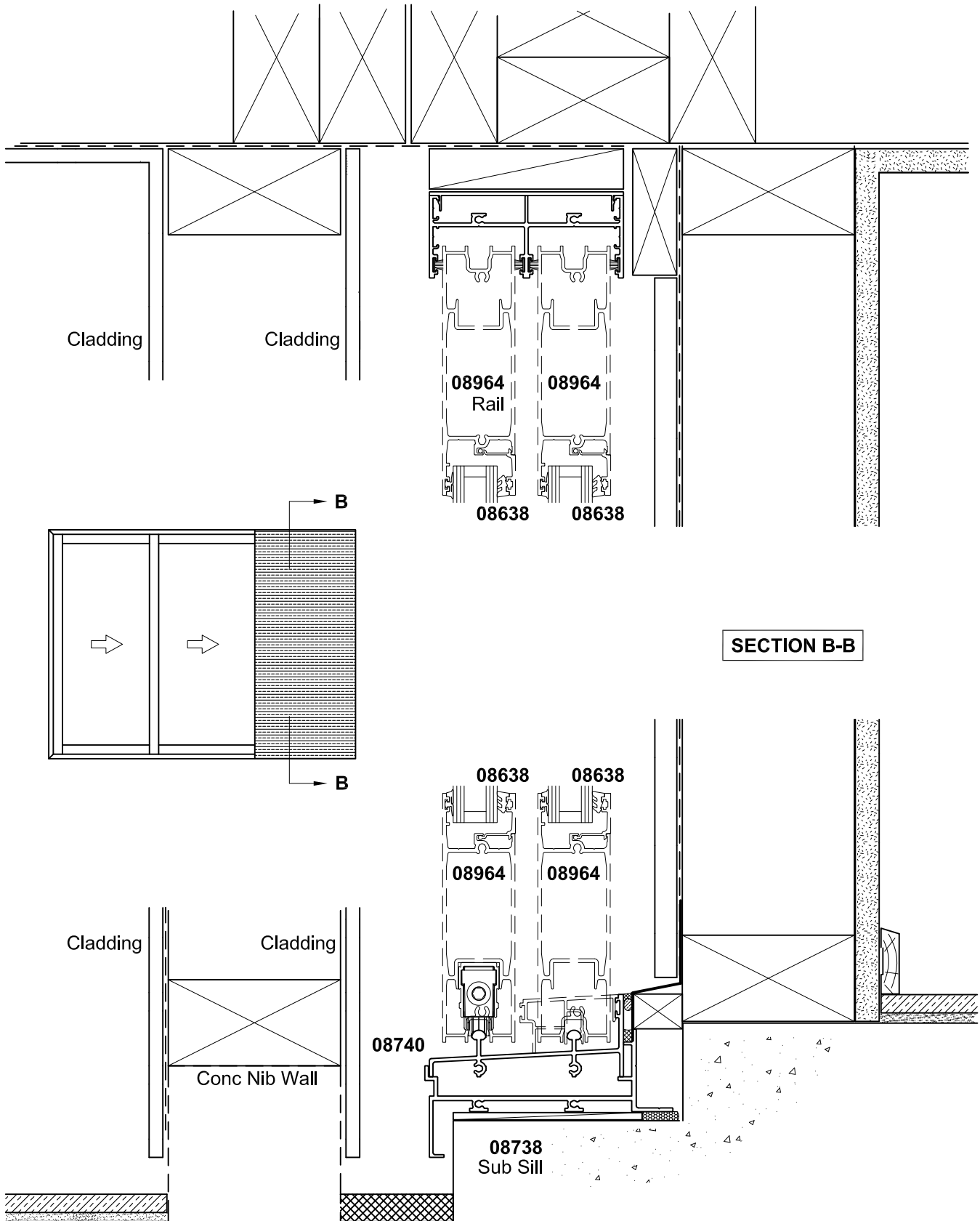


**APL ARCHITECTURAL SERIES
SLIDING DOOR -
DOUBLE PANEL INTO CAVITY
CROSS SECTION**

CAD REF. VASD13-0

DATE
27.09.19

SCALE
1:3



NOTE: This detail is typical only and may differ for various claddings and building in situations.
Contact APL Technical Advisory Service for more information

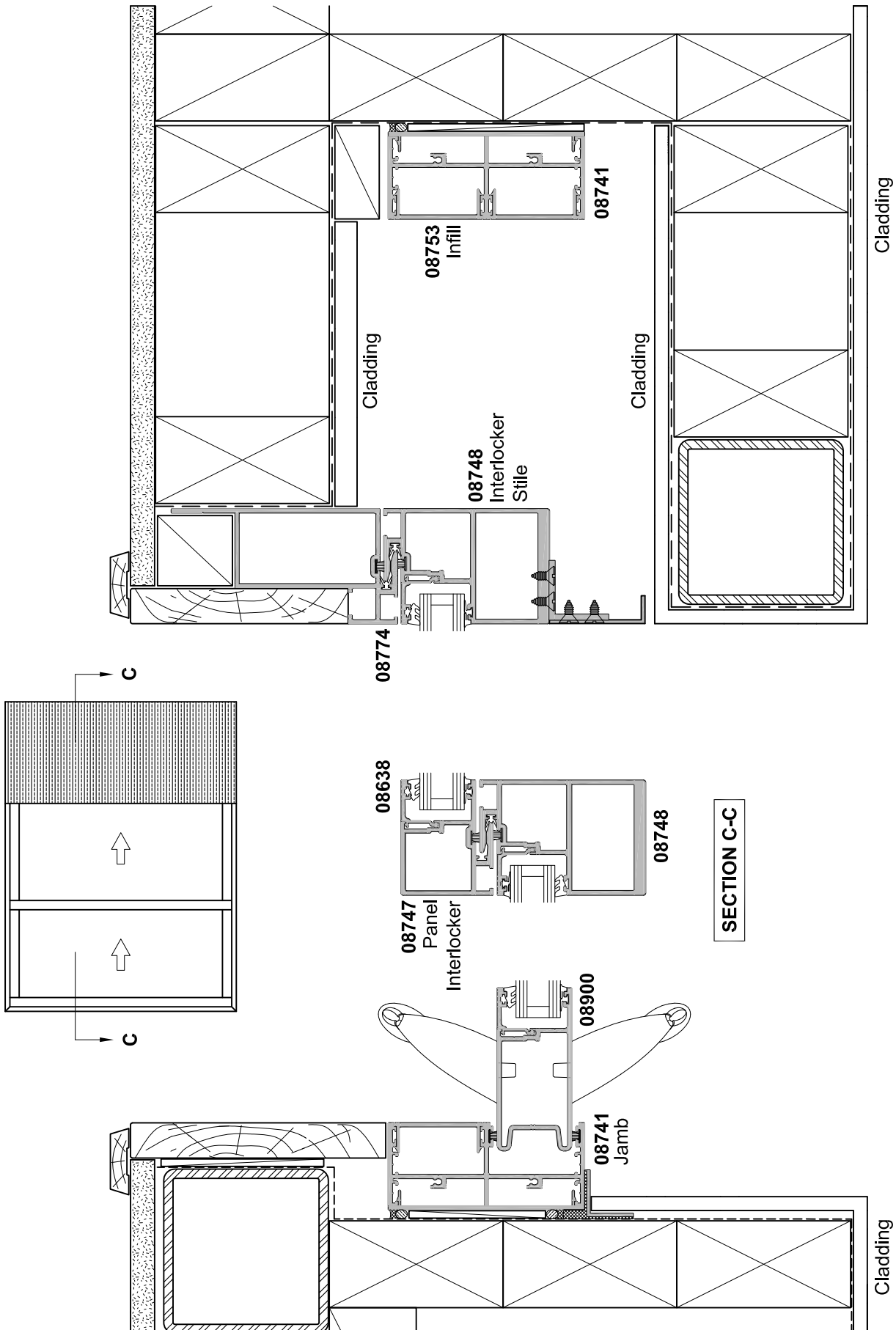


APL ARCHITECTURAL SERIES
SLIDING DOOR -
TWIN TRACK CAVITY SLIDER
CROSS SECTION

CAD REF. VASD14-0

DATE
01.10.16

SCALE
1:3



NOTE: This detail is typical only and may differ for various claddings and building in situations.
 Contact APL Technical Advisory Service for more information

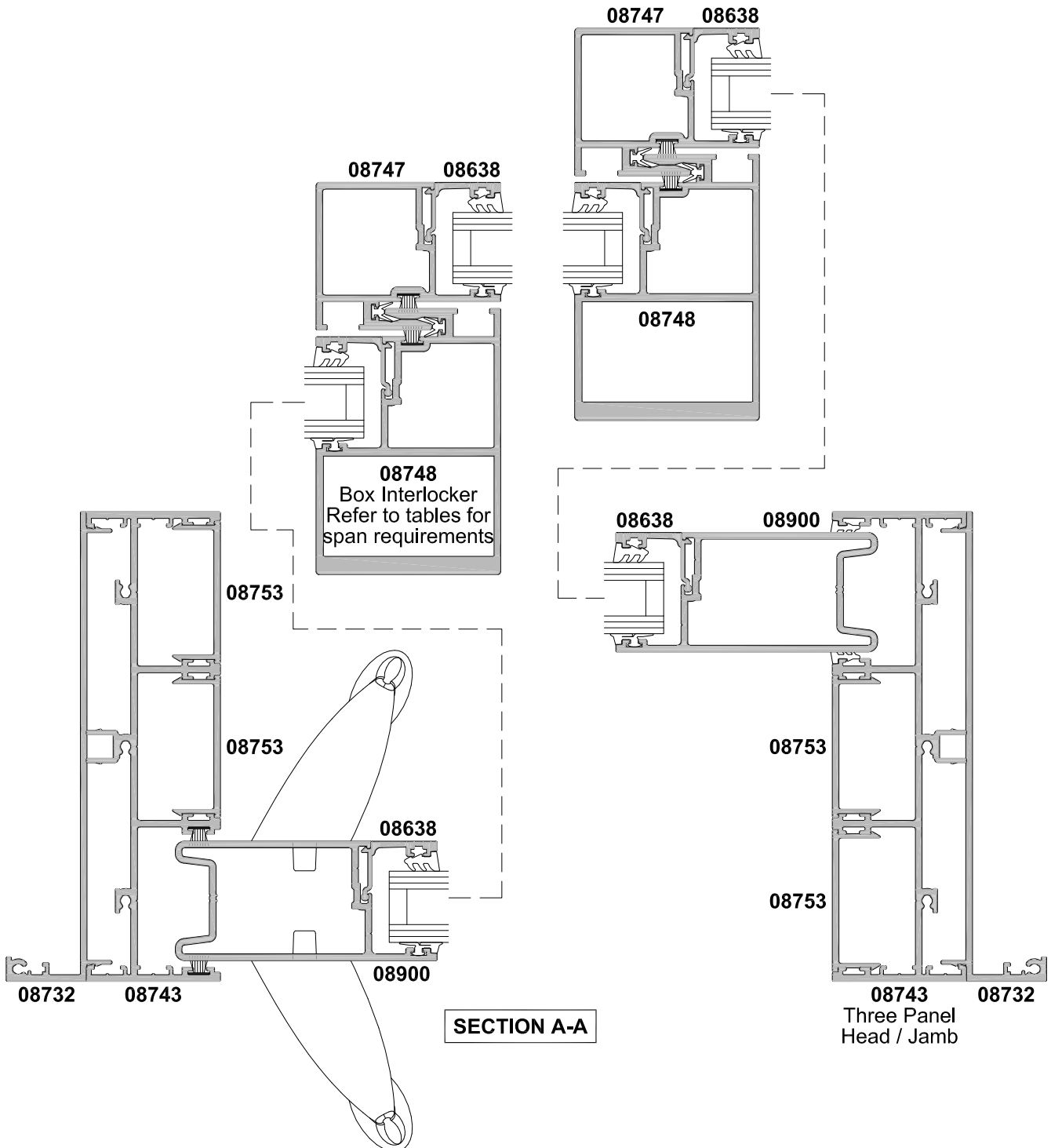
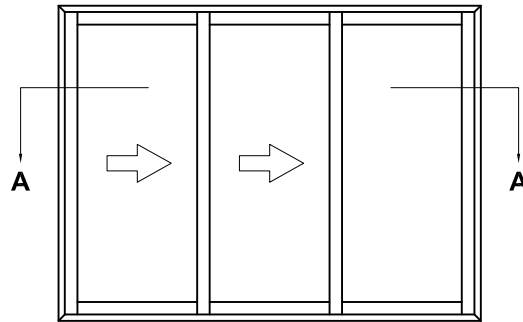


APL ARCHITECTURAL SERIES
SLIDING DOOR -
TRIPLE TRACK, 3 PANEL
CROSS SECTION

CAD REF. VASD16-0

DATE
01.10.16

SCALE
1:2



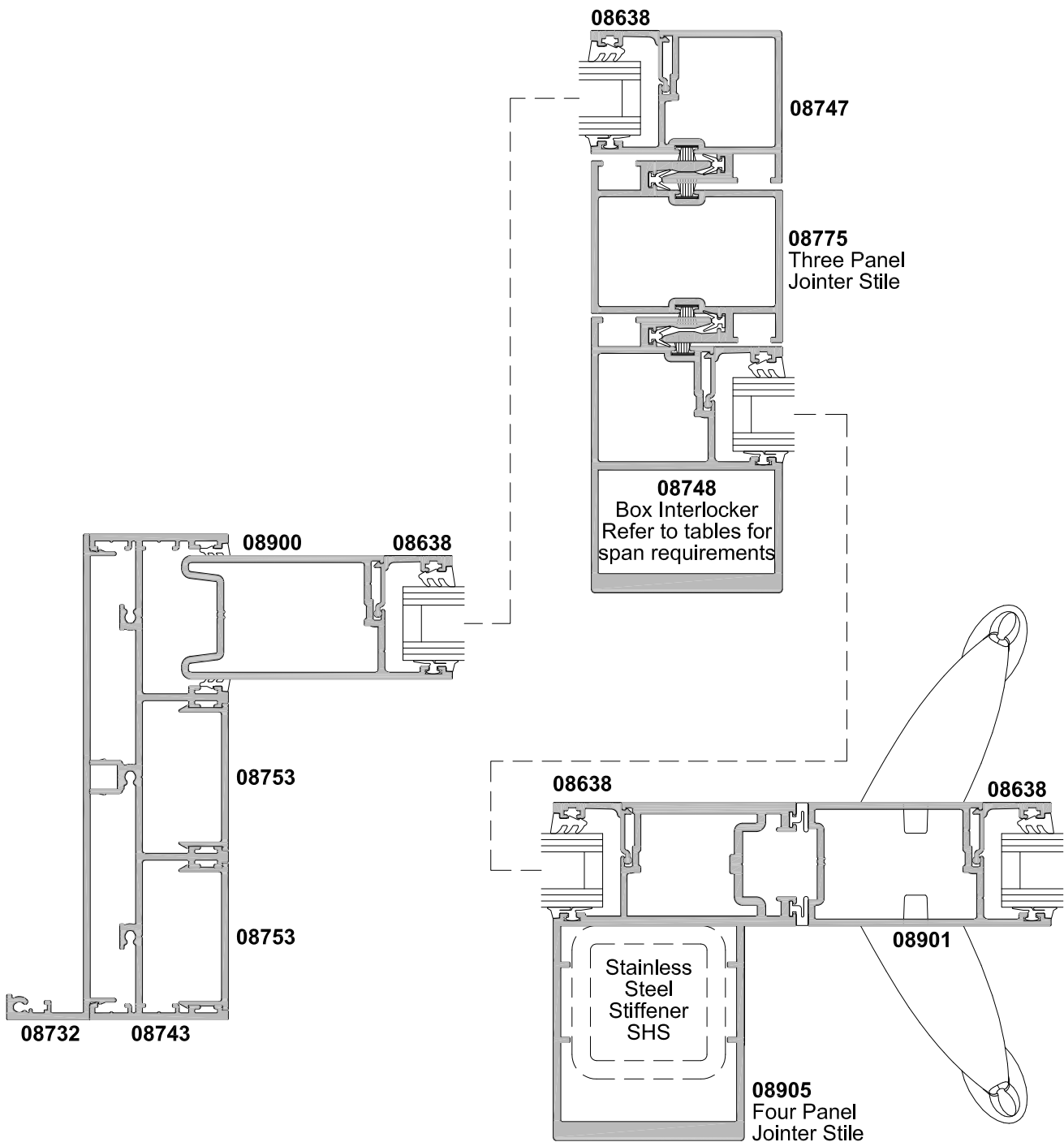
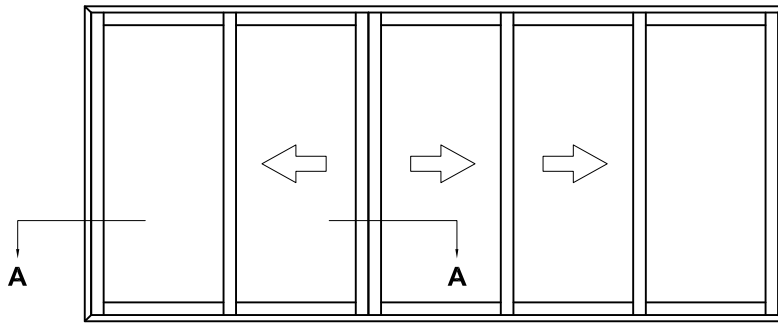


APL ARCHITECTURAL SERIES
SLIDING DOOR -
TRIPLE TRACK, 5 PANEL
CROSS SECTION

CAD REF. VASD17-0

DATE
01.10.16

SCALE
1:2



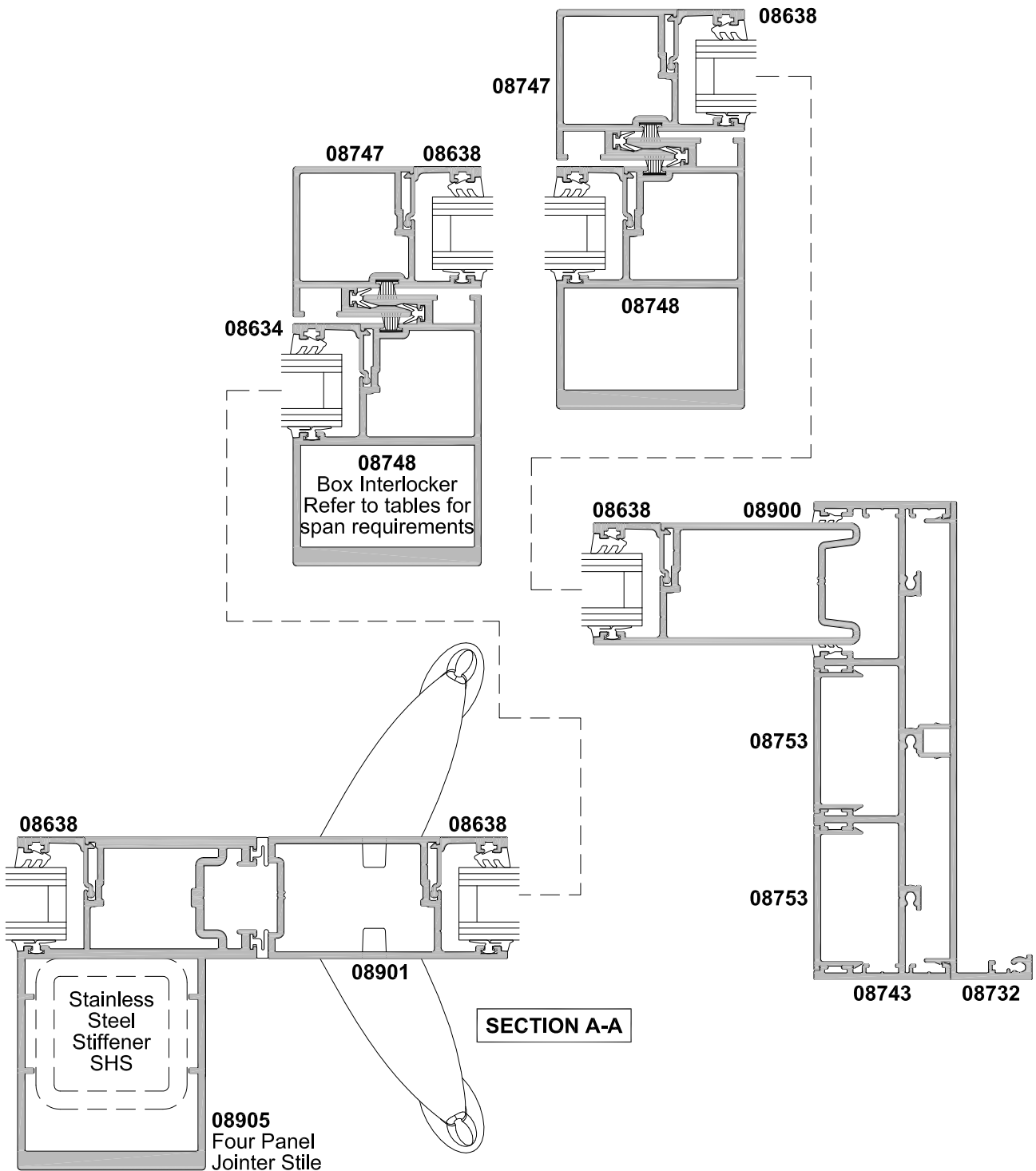
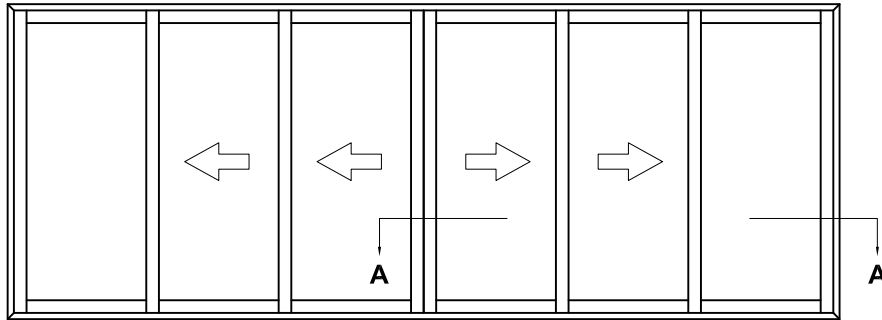


APL ARCHITECTURAL SERIES
SLIDING DOOR -
TRIPLE TRACK, 6 PANEL
CROSS SECTION

CAD REF. VASD18-0

DATE
01.10.16

SCALE
1:2



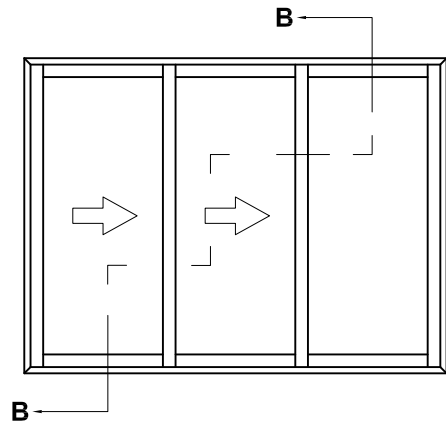
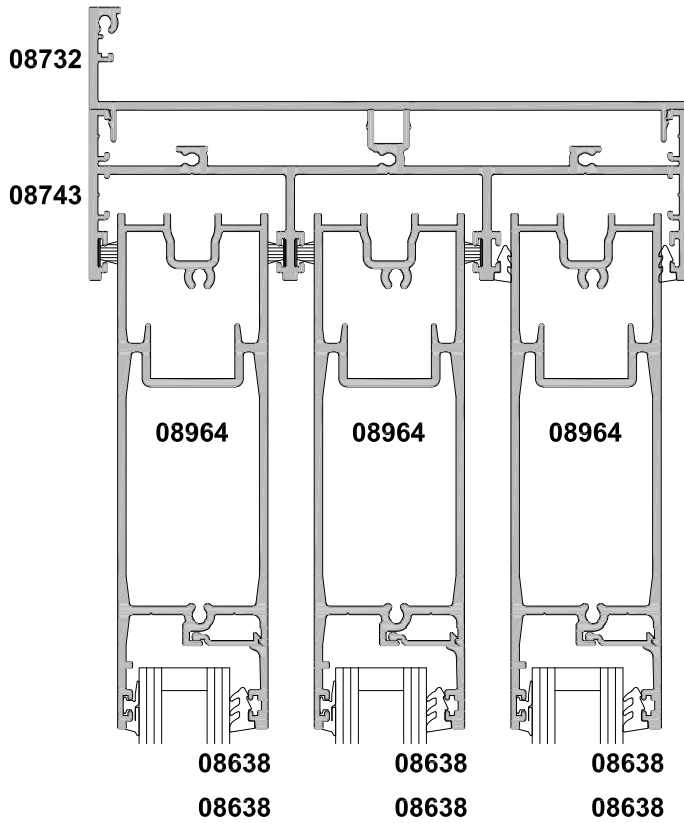


APL ARCHITECTURAL SERIES
SLIDING DOOR -
TRIPLE TRACK, 3 PANEL
CROSS SECTION

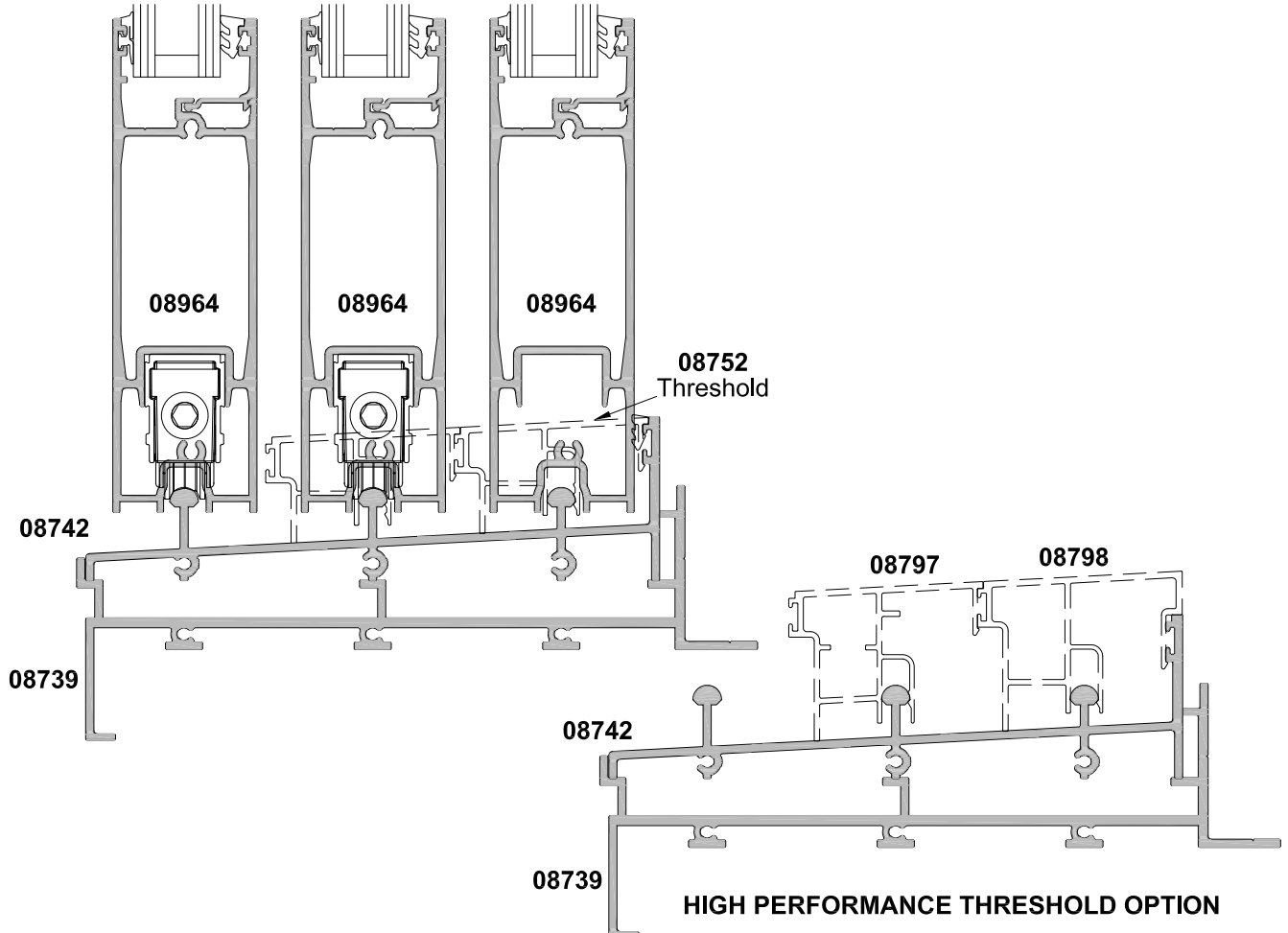
CAD REF. VASD19-0

DATE
27.09.19

SCALE
1:2



SECTION B-B



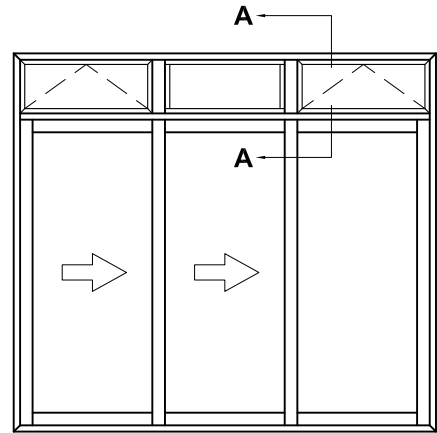
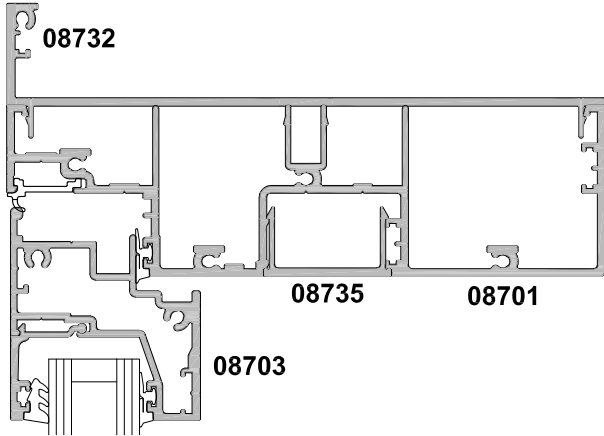


APL ARCHITECTURAL SERIES
SLIDING DOOR -
TRIPLE TRACK WITH OVERLIGHT SASH
CROSS SECTION

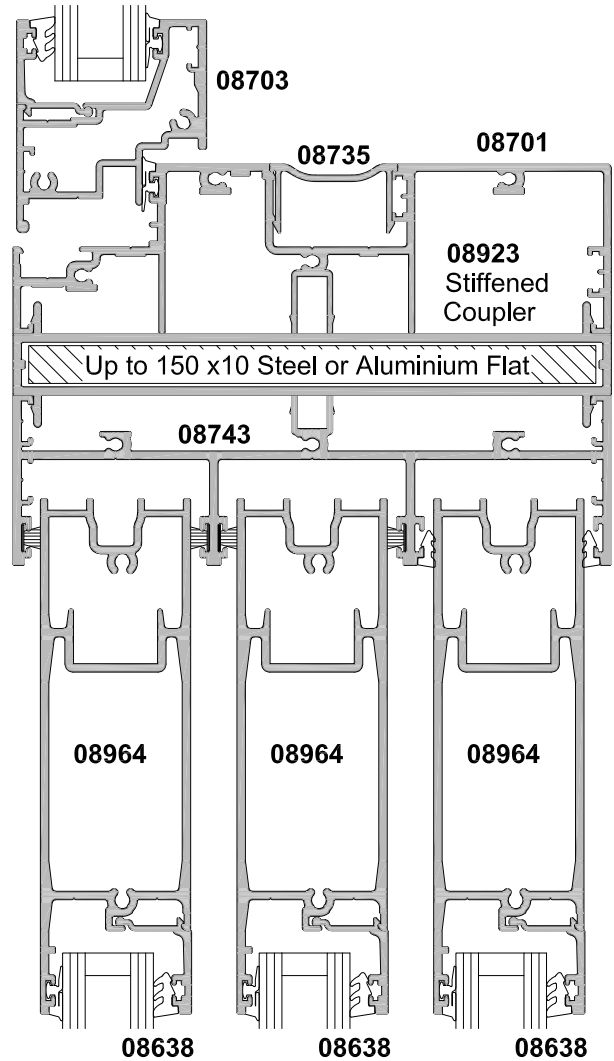
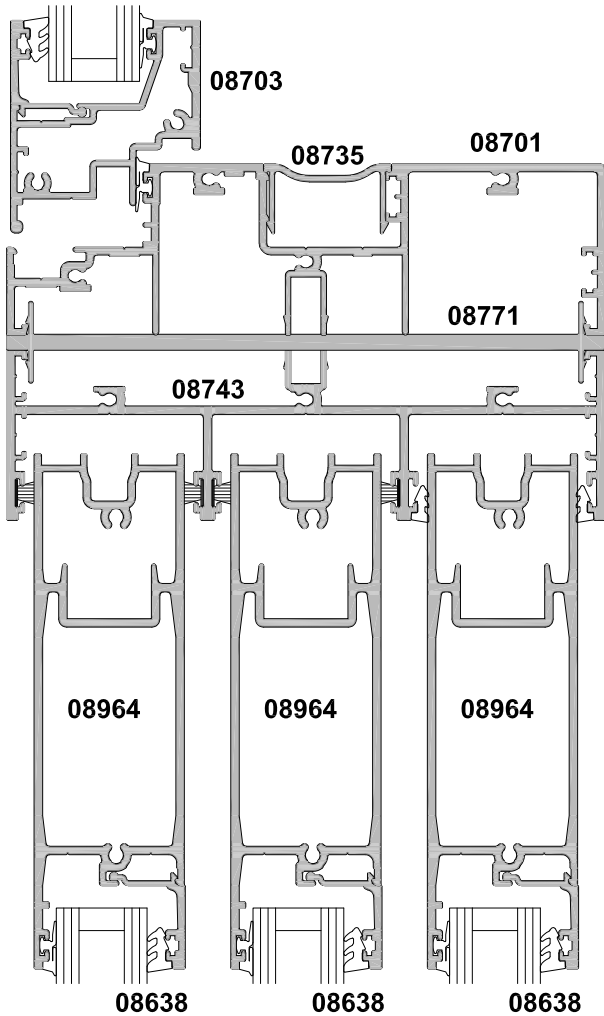
CAD REF. VASD20-0

DATE
27.09.19

SCALE
1:2



SECTION A-A



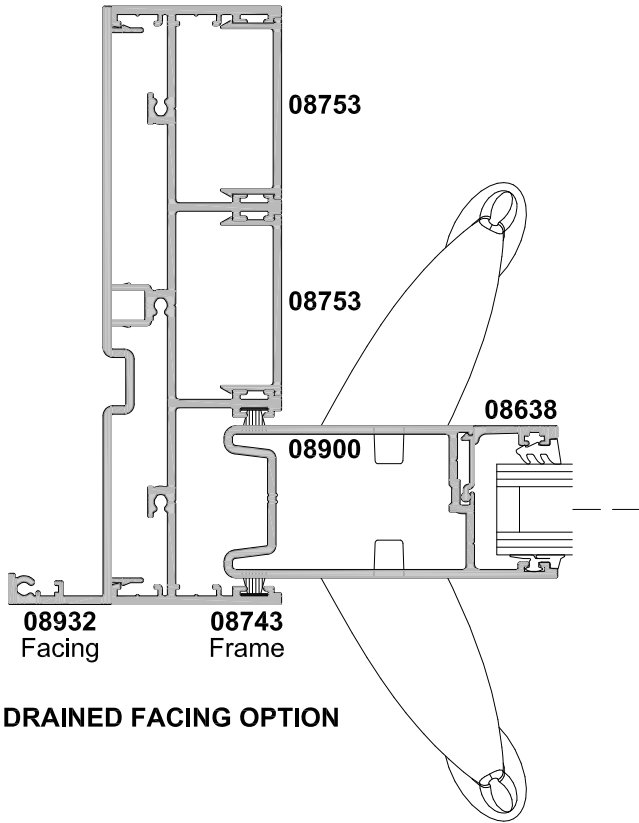


APL ARCHITECTURAL SERIES
3 PANEL BYPASS SLIDING DOOR
 CROSS SECTION

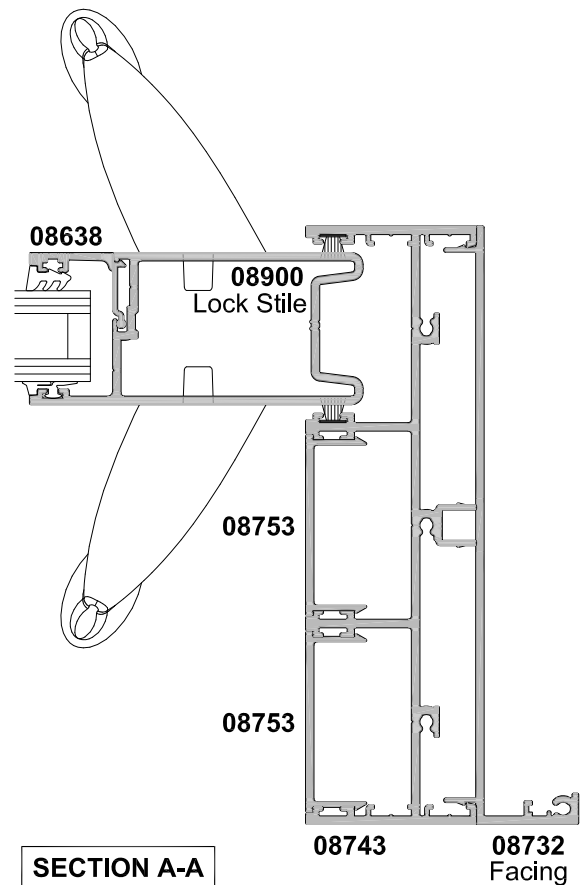
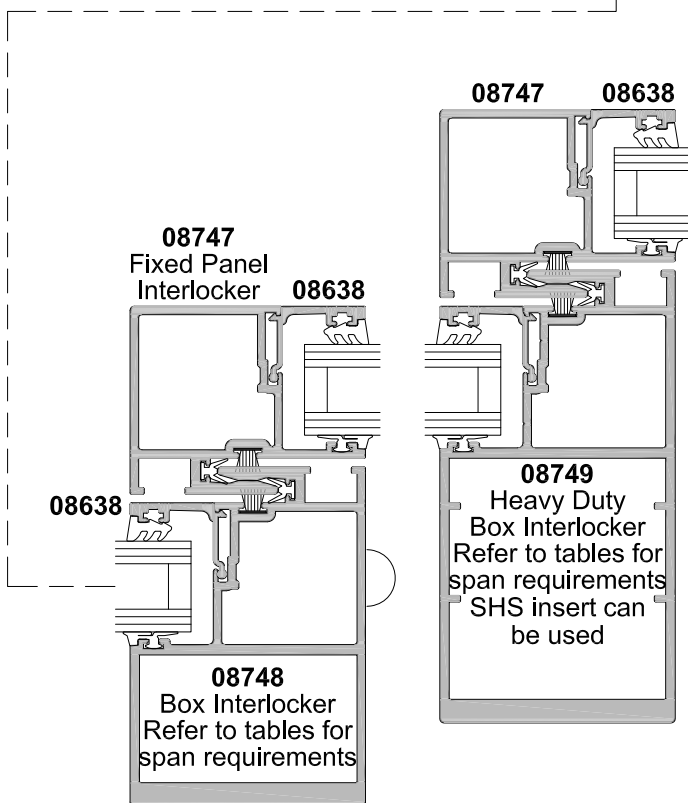
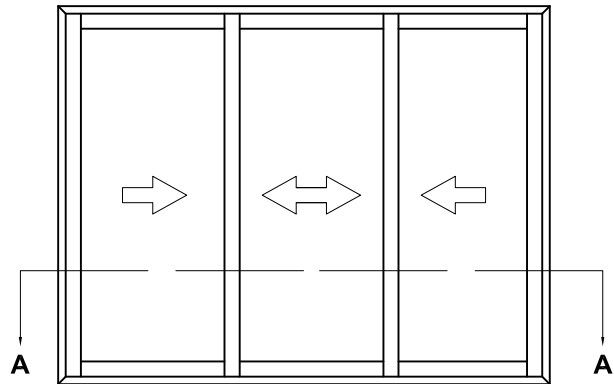
CAD REF. VASD21-0

DATE
01.10.16

SCALE
1:2



DRAINED FACING OPTION



SECTION A-A

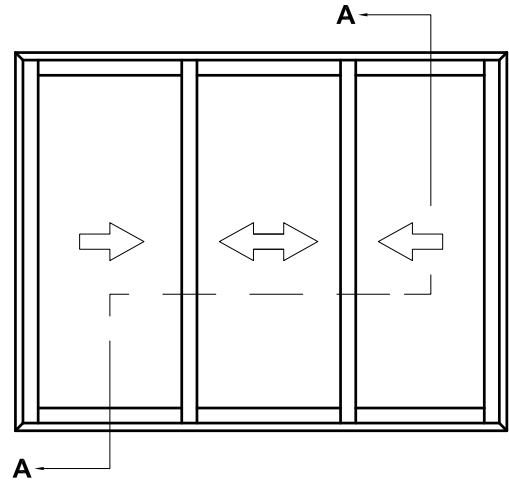
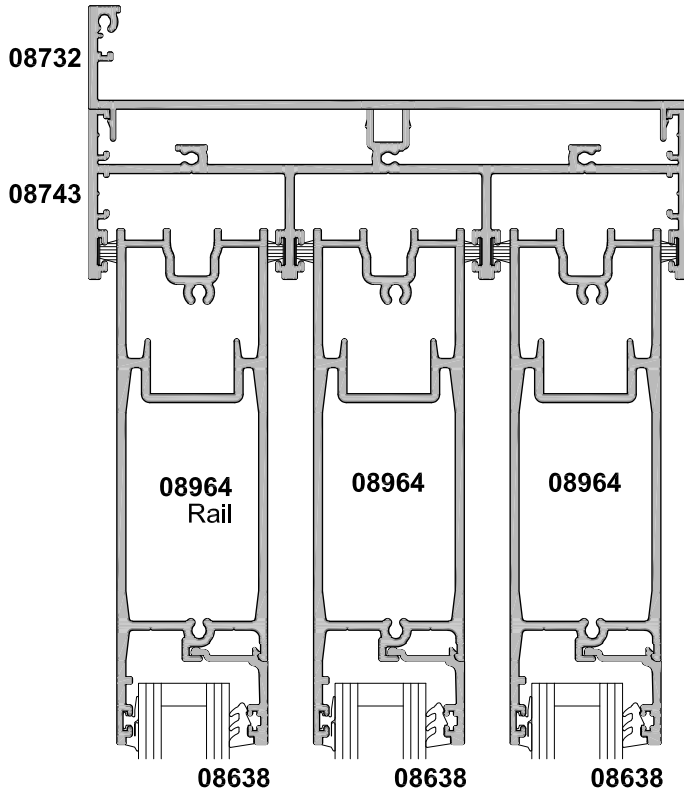


APL ARCHITECTURAL SERIES
3 PANEL BYPASS SLIDING DOOR
CROSS SECTION

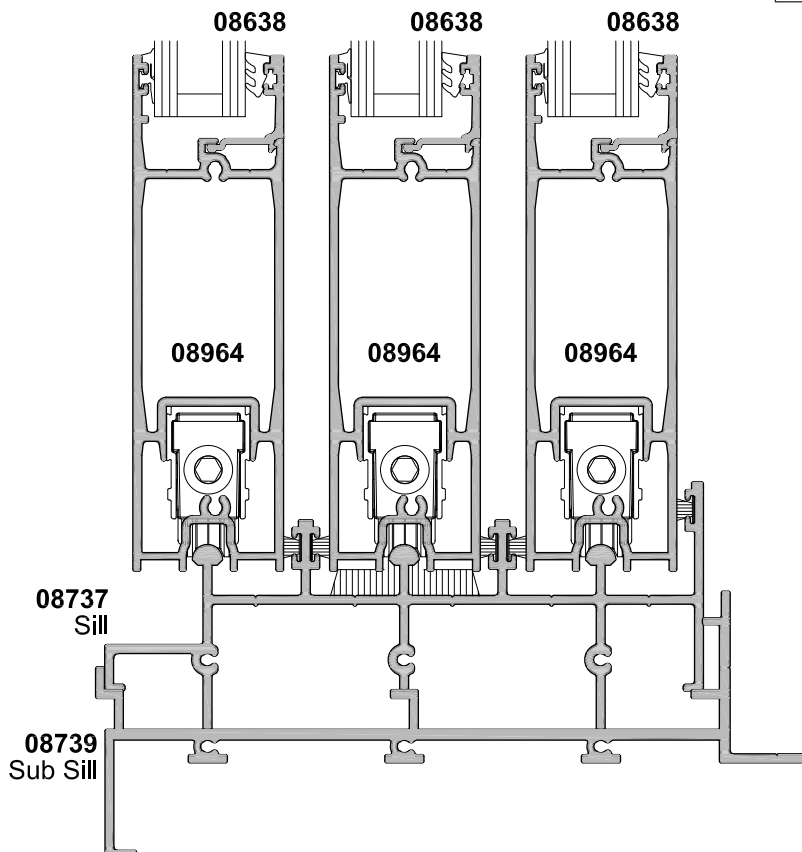
CAD REF. VASD22-0

DATE
27.09.19

SCALE
1:2



SECTION A-A



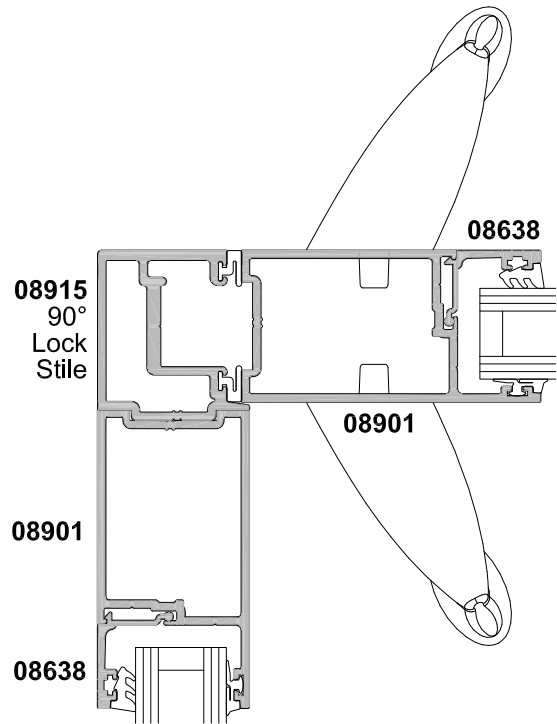
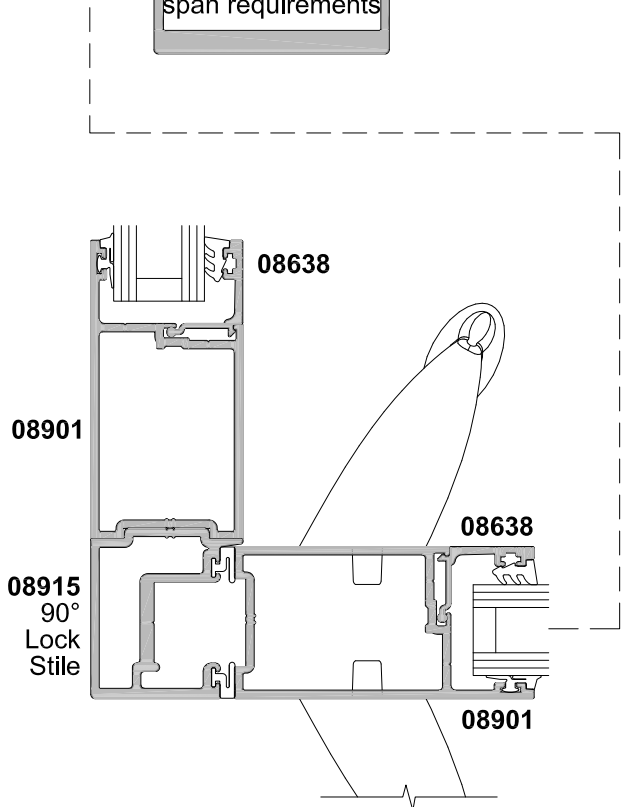
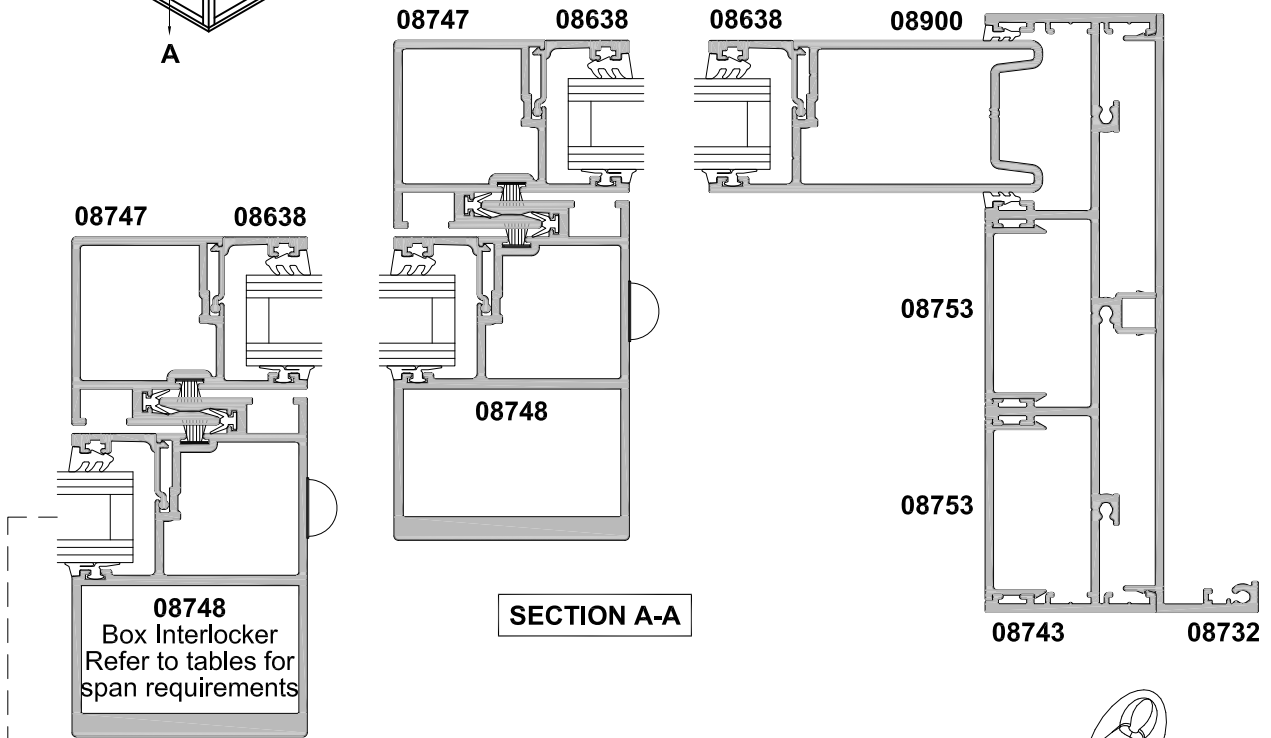
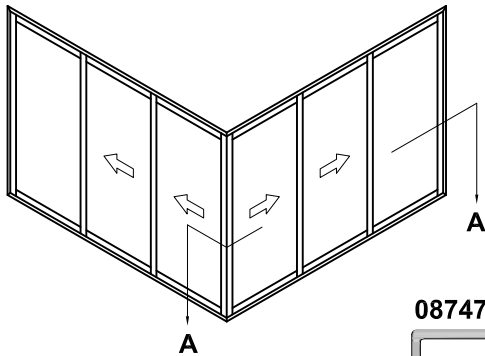


APL ARCHITECTURAL SERIES
SLIDING DOOR -
TRIPLE TRACK 90° CORNER
CROSS SECTION

CAD REF. VASD23-0

DATE
01.10.16

SCALE
1:2



INTERNAL CORNER OPTION

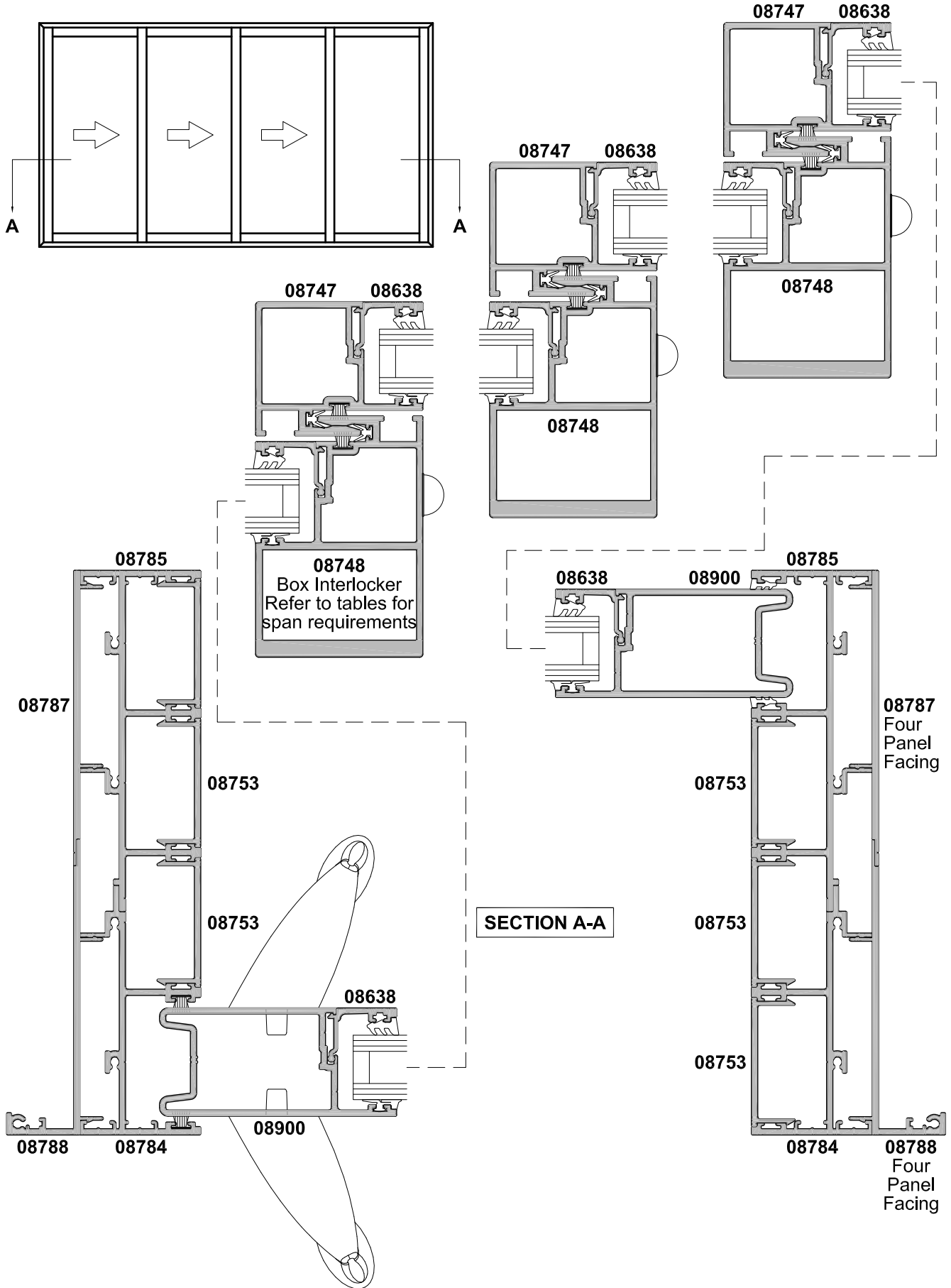


APL ARCHITECTURAL SERIES
SLIDING DOOR -
FOUR TRACK, 4 PANEL
 CROSS SECTION

CAD REF. VASD25-0

DATE
01.10.16

SCALE
1:2



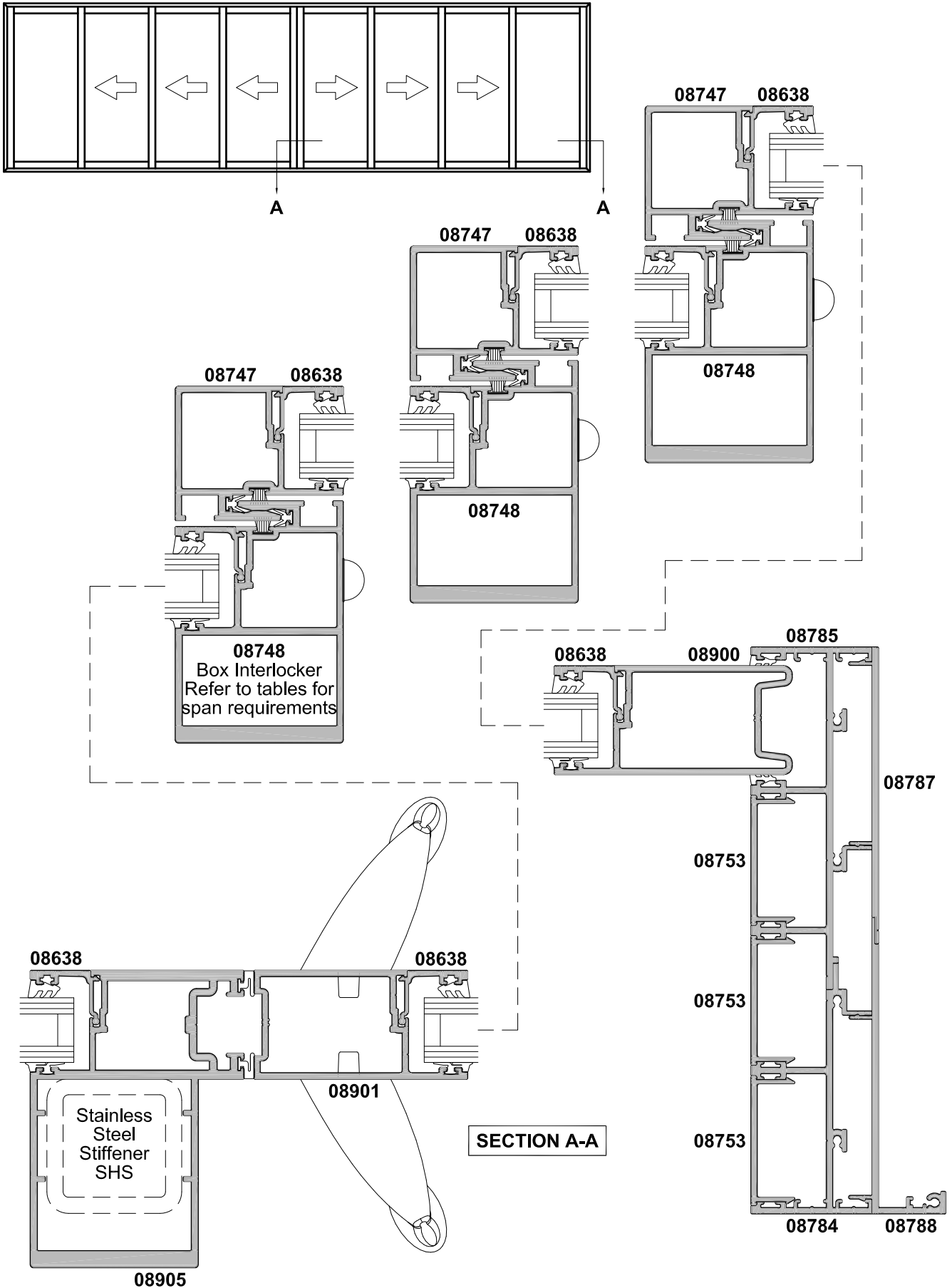


APL ARCHITECTURAL SERIES
SLIDING DOOR -
FOUR TRACK, 8 PANEL
 CROSS SECTION

CAD REF. VASD26-0

DATE
01.10.16

SCALE
1:2



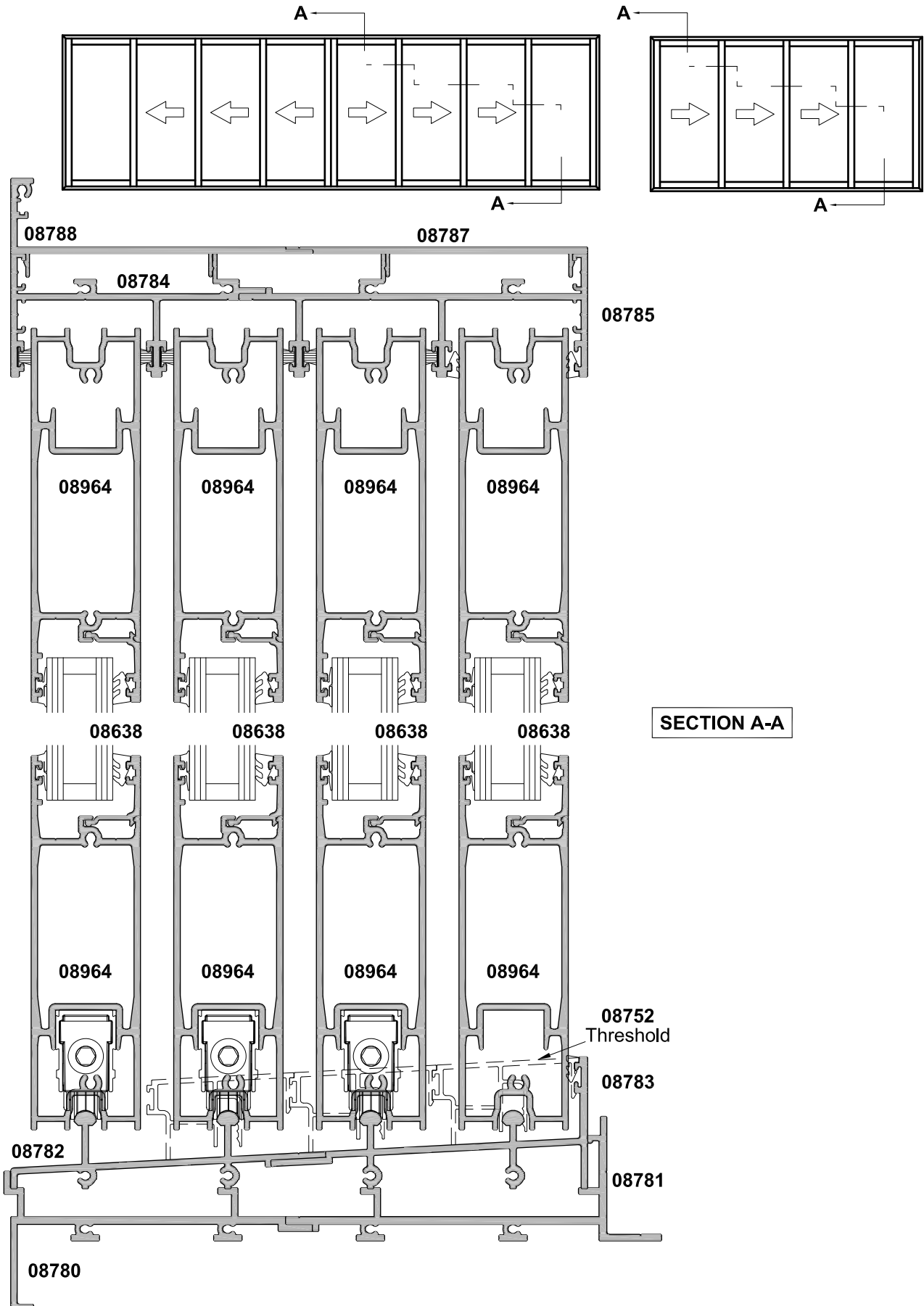


APL ARCHITECTURAL SERIES
SLIDING DOOR -
FOUR TRACK
CROSS SECTION

CAD REF. VASD27-0

DATE
27.09.19

SCALE
1:2



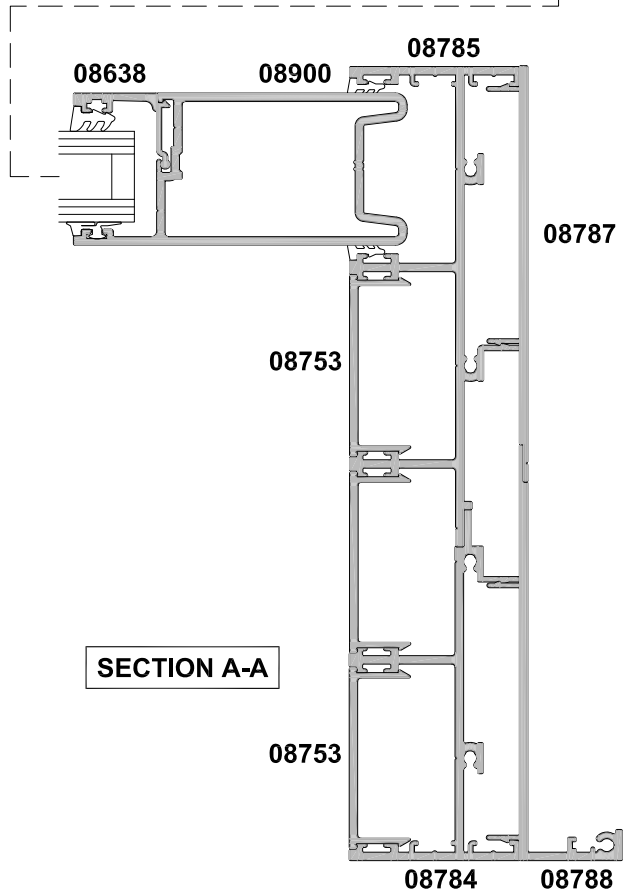
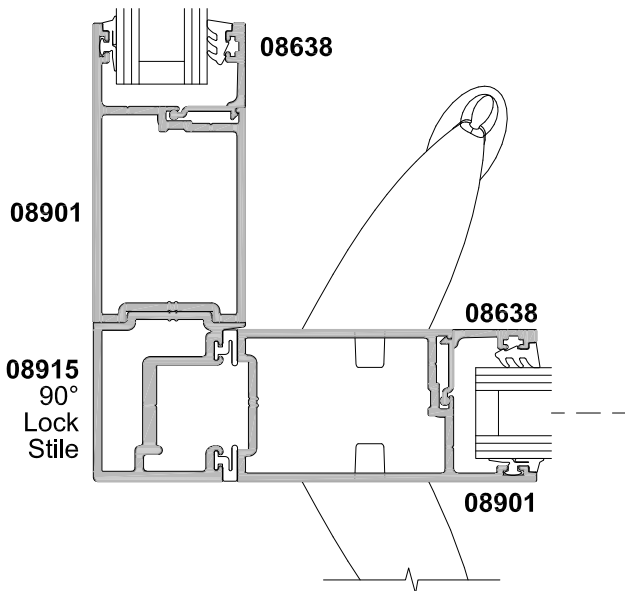
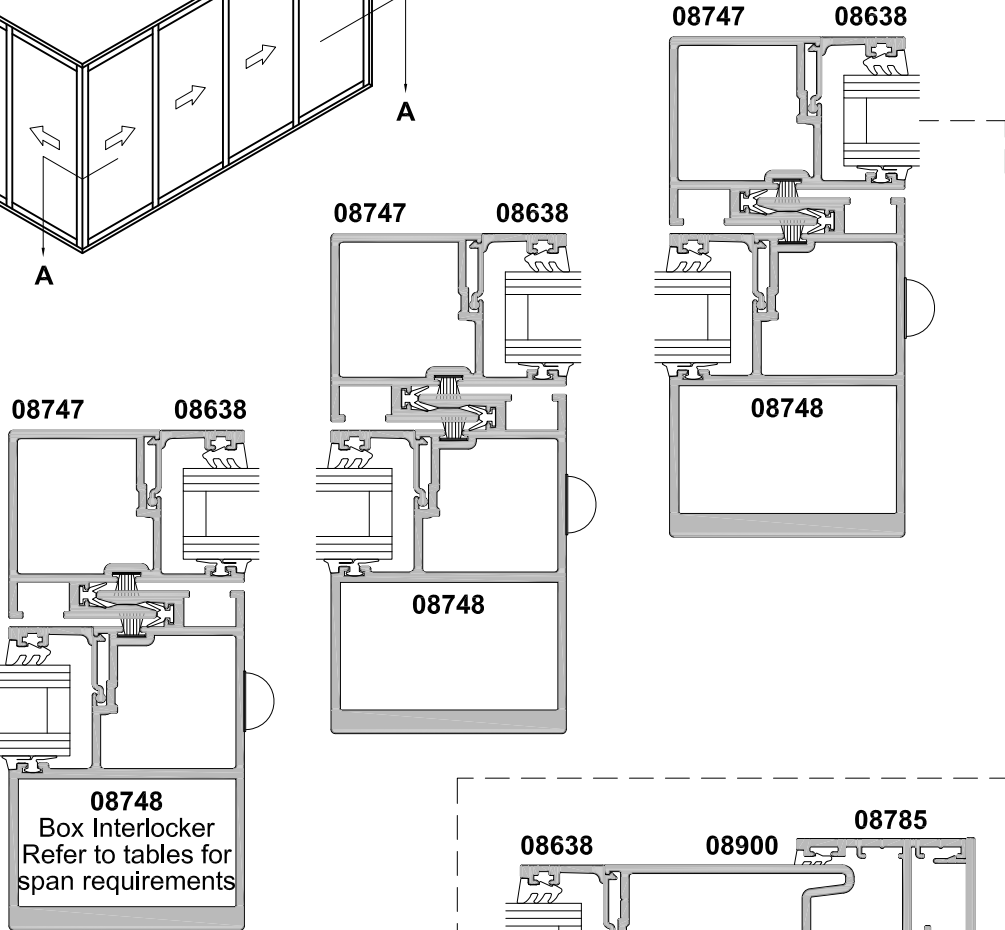
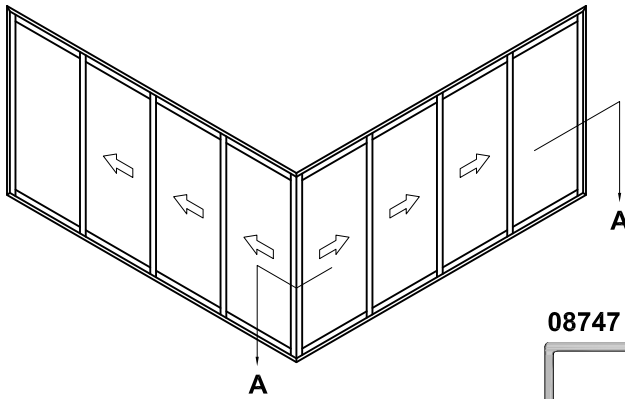


APL ARCHITECTURAL SERIES
SLIDING DOOR -
FOUR TRACK 90° CORNER
CROSS SECTION

CAD REF. VASD28-0

DATE
01.10.16

SCALE
1:2



SECTION A-A

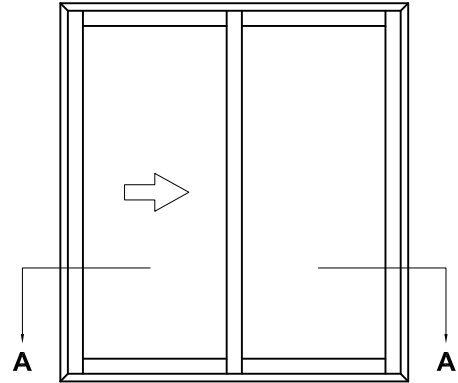
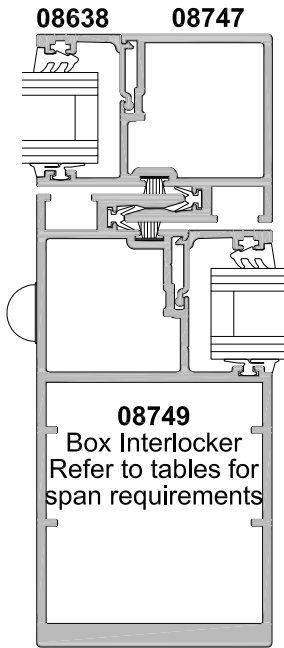


**APL ARCHITECTURAL SERIES
SLIDING DOOR - TWIN TRACK
CROSS SECTION**

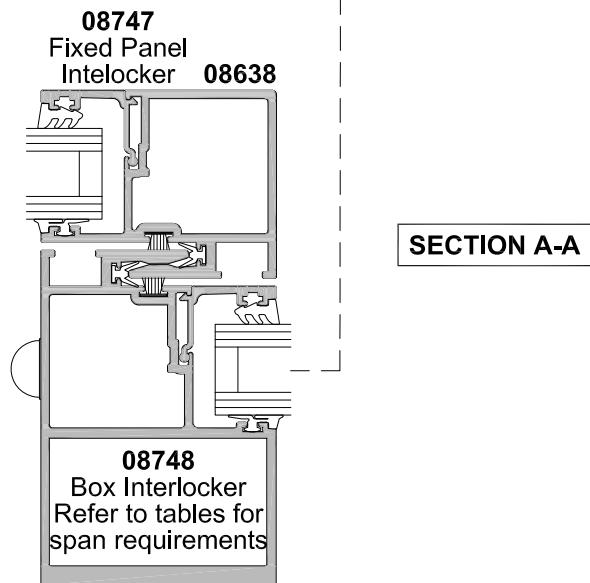
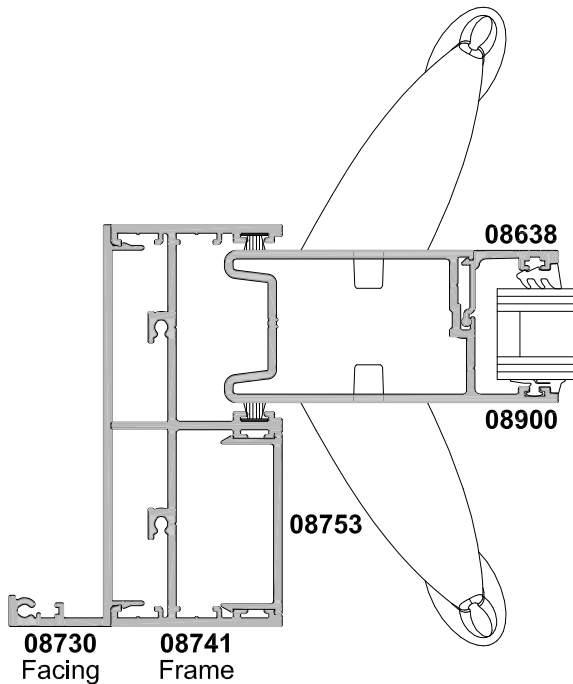
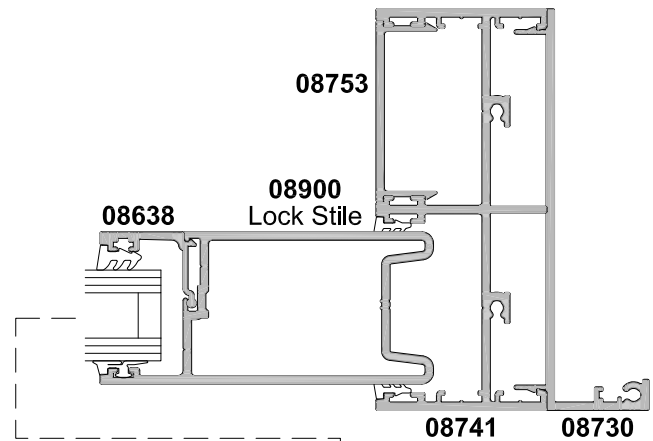
CAD REF. VASD29-0

DATE
01.10.16

SCALE
1:2



HEAVY DUTY INTERLOCKER OPTION



SECTION A-A

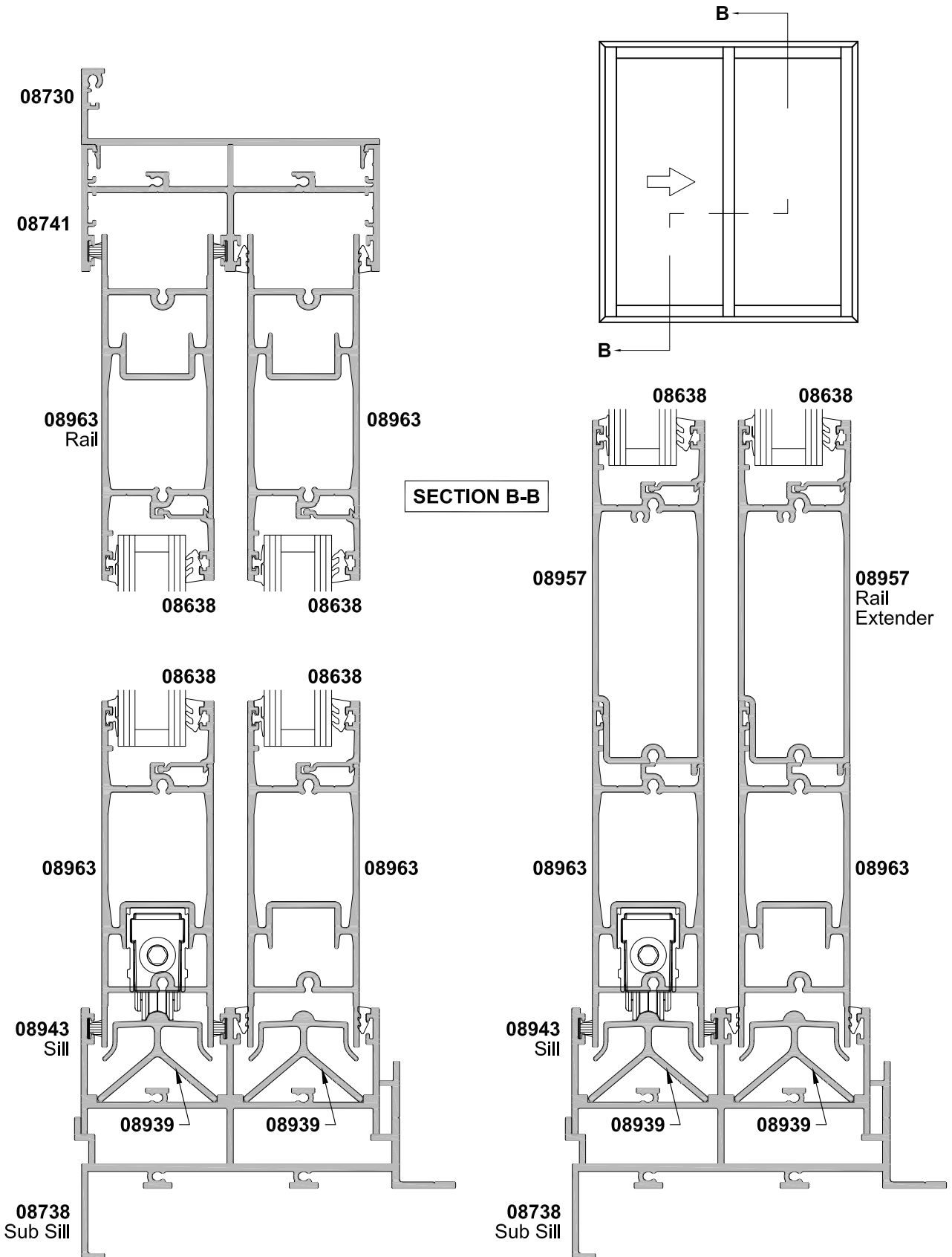


APL ARCHITECTURAL SERIES
SLIDING DOOR - TWIN TRACK FLUSHLINE
 CROSS SECTION

CAD REF. VASD30-0

DATE
27.09.19

SCALE
1:2



RAIL EXTENDER OPTION

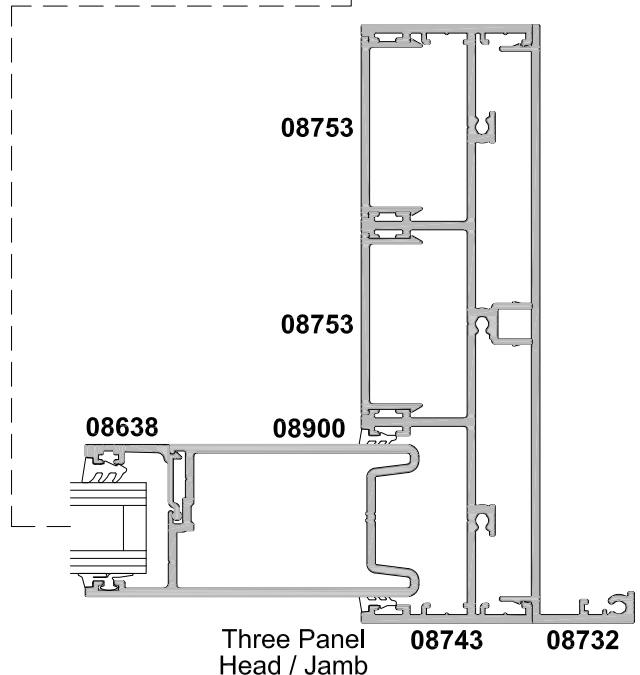
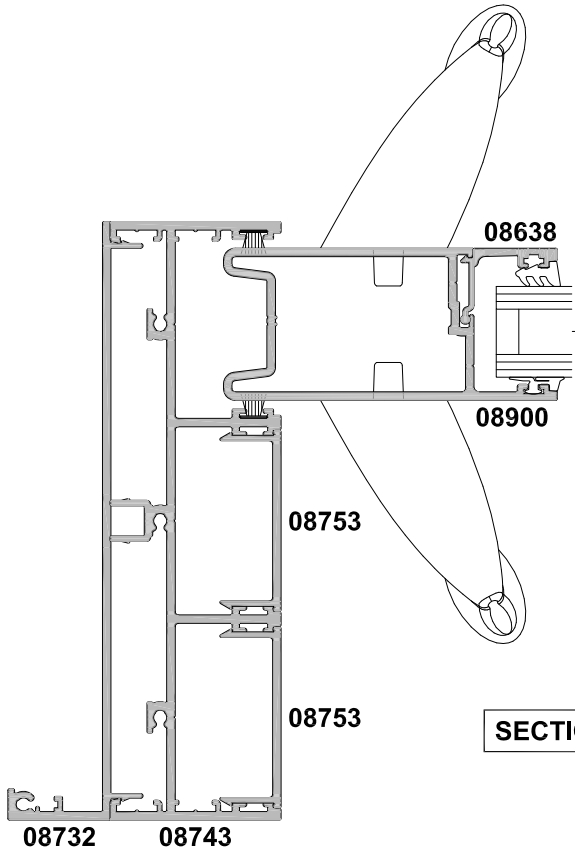
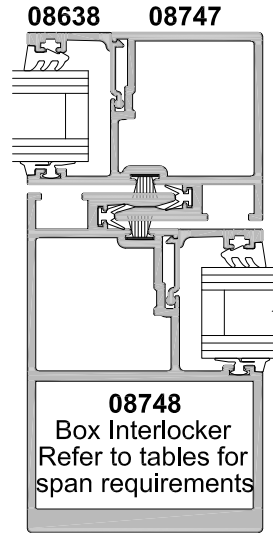
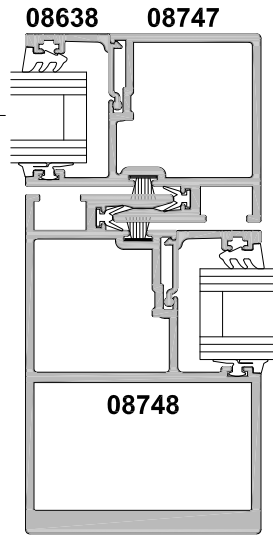
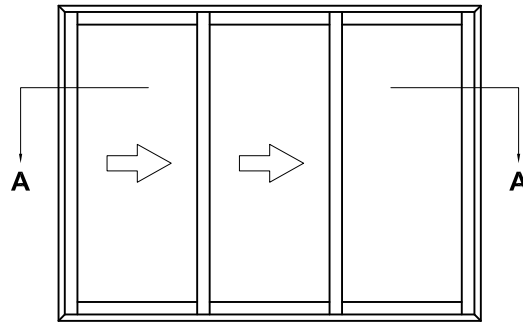


APL ARCHITECTURAL SERIES
SLIDING DOOR -
TRIPLE TRACK, 3 PANEL FLUSHLINE
CROSS SECTION

CAD REF. VASD31-0

DATE
01.10.16

SCALE
1:2



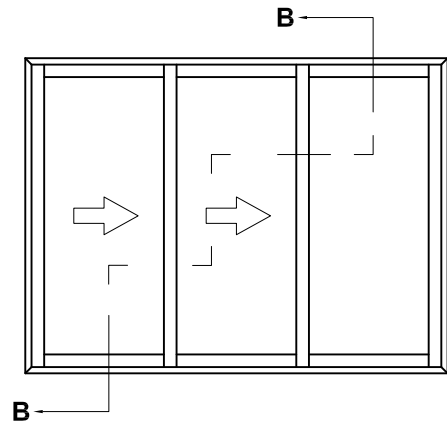
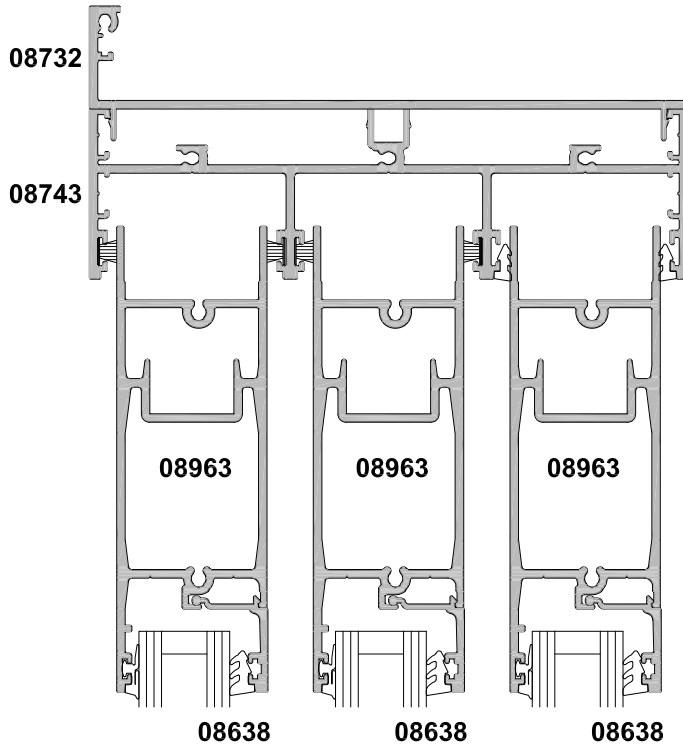


APL ARCHITECTURAL SERIES
SLIDING DOOR -
TRIPLE TRACK, 3 PANEL FLUSHLINE
CROSS SECTION

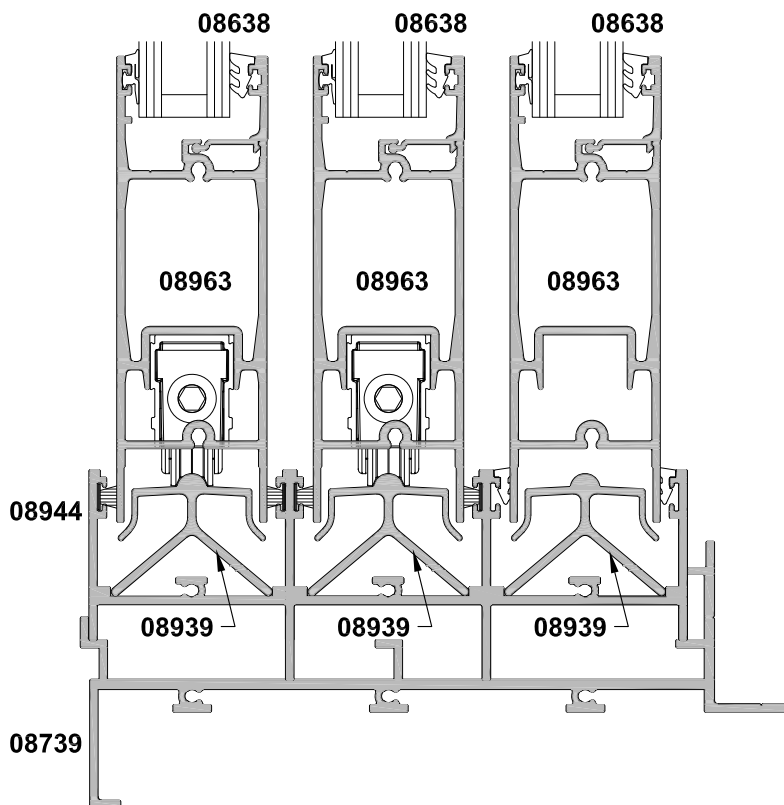
CAD REF. VASD32-0

DATE
27.09.19

SCALE
1:2



SECTION B-B



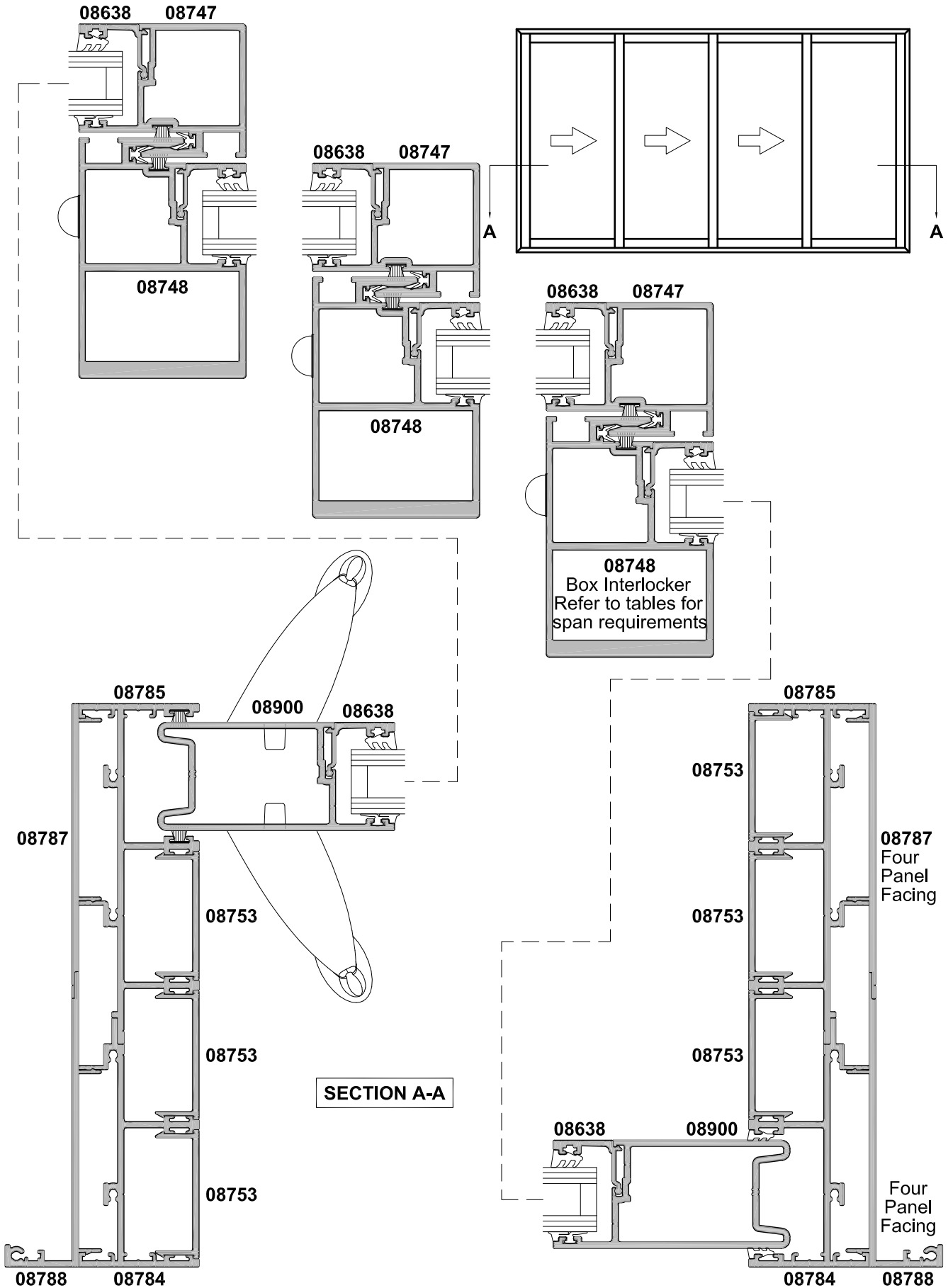


APL ARCHITECTURAL SERIES
SLIDING DOOR -
FOUR TRACK, 4 PANEL FLUSHLINE
 CROSS SECTION

CAD REF. VASD33-0

DATE
01.10.16

SCALE
1:2



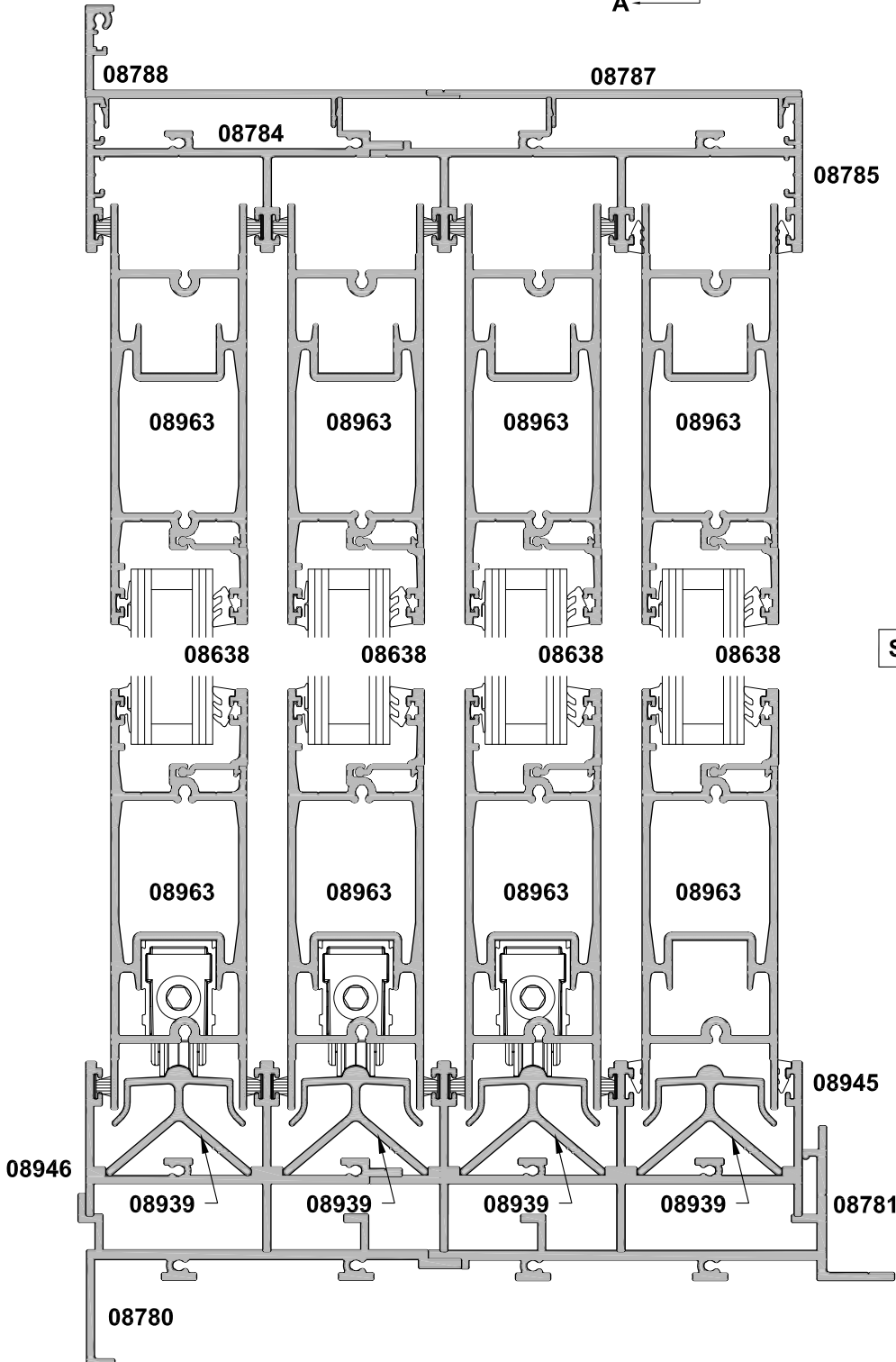
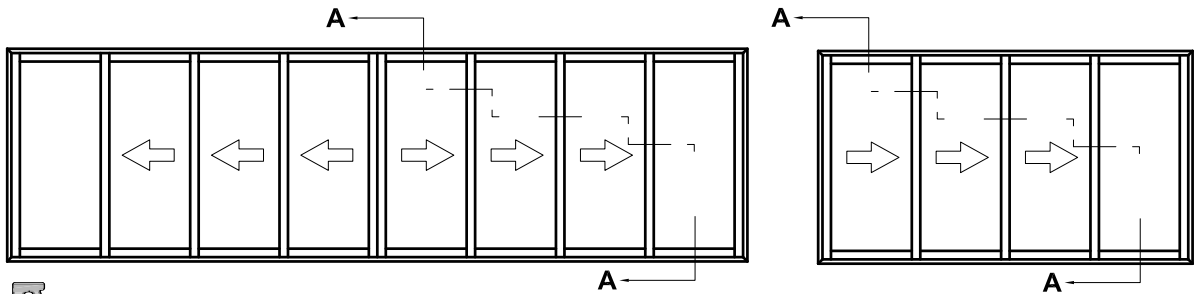


APL ARCHITECTURAL SERIES
SLIDING DOOR -
FOUR TRACK FLUSHLINE
CROSS SECTION

CAD REF. VASD34-0

DATE
27.09.19

SCALE
1:2



SECTION A-A