

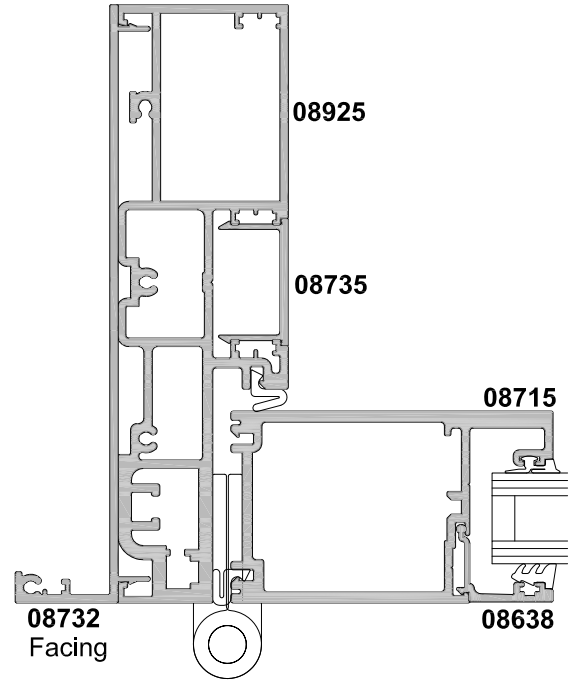
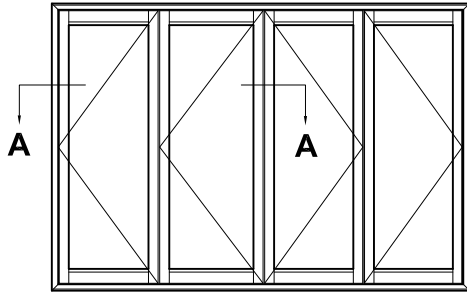


APL ARCHITECTURAL SERIES
BI-FOLD DOOR 2 + 2 PANEL
 CROSS SECTION

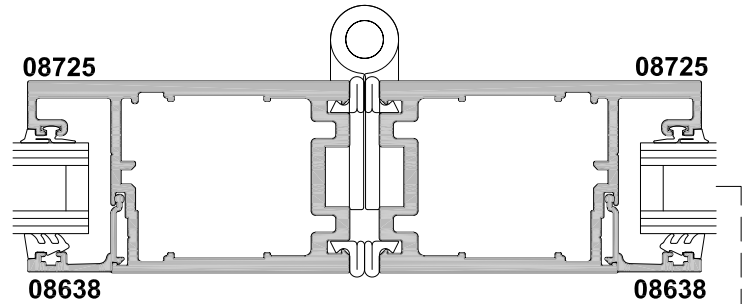
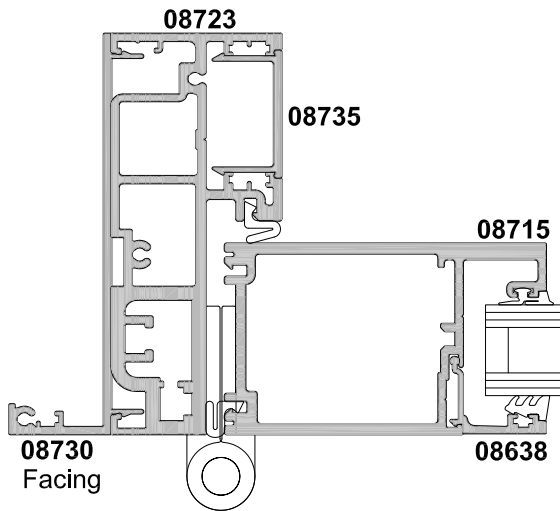
CAD REF. VABD02-0

DATE
01.06.11

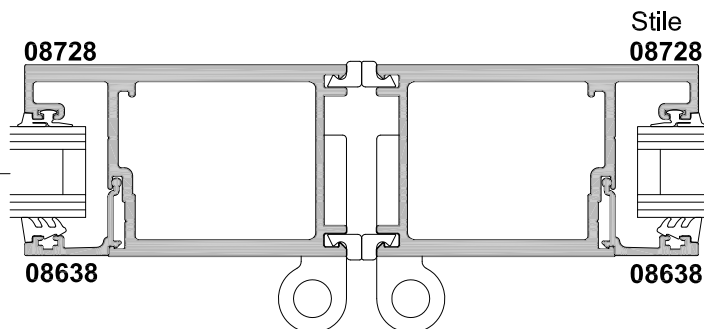
SCALE
1:2



158MM FRAME OPTION



SECTION A-A



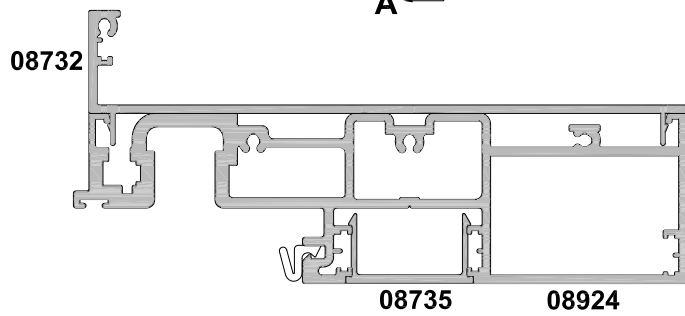
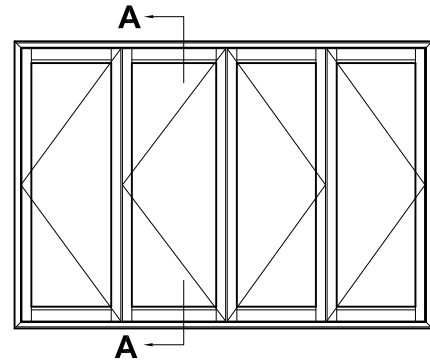
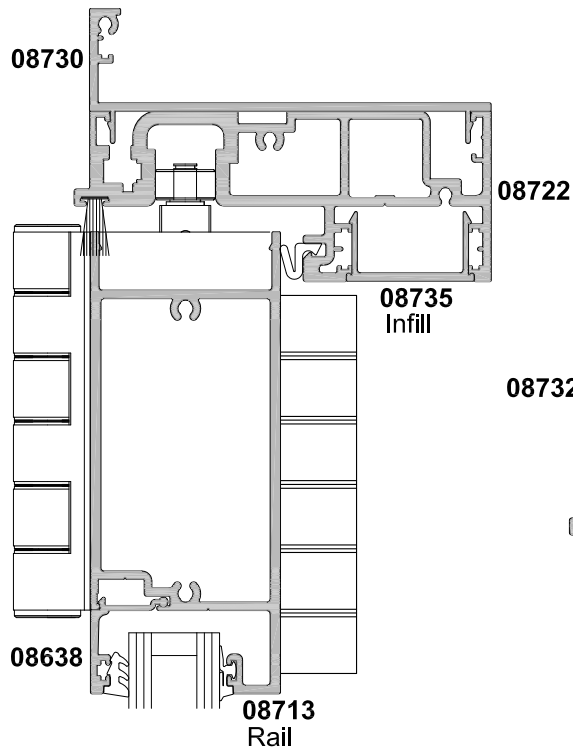


APL ARCHITECTURAL SERIES
TYPICAL BI-FOLD DOOR
 CROSS SECTION

CAD REF. VABD03-0

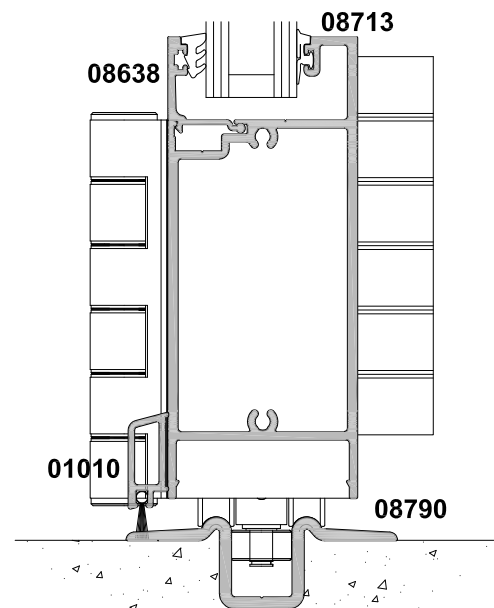
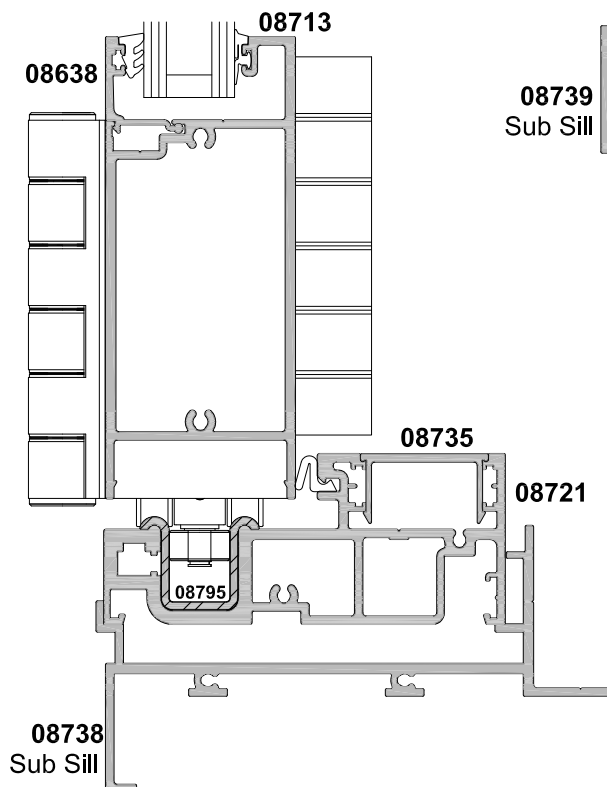
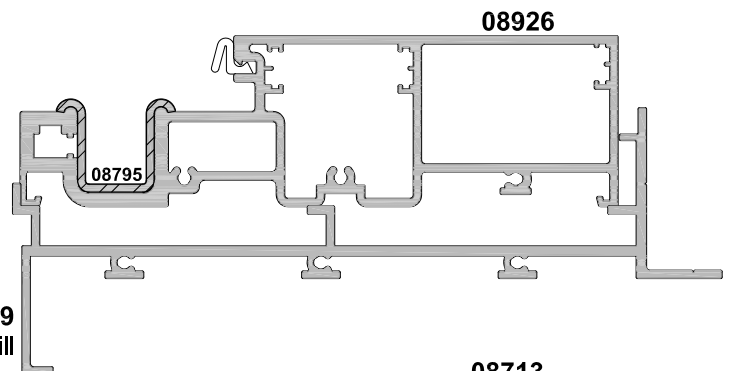
DATE
01.06.11

SCALE
1:2



158MM FRAME OPTION

SECTION A-A



FLUSH SILL OPTION
 For sheltered locations only

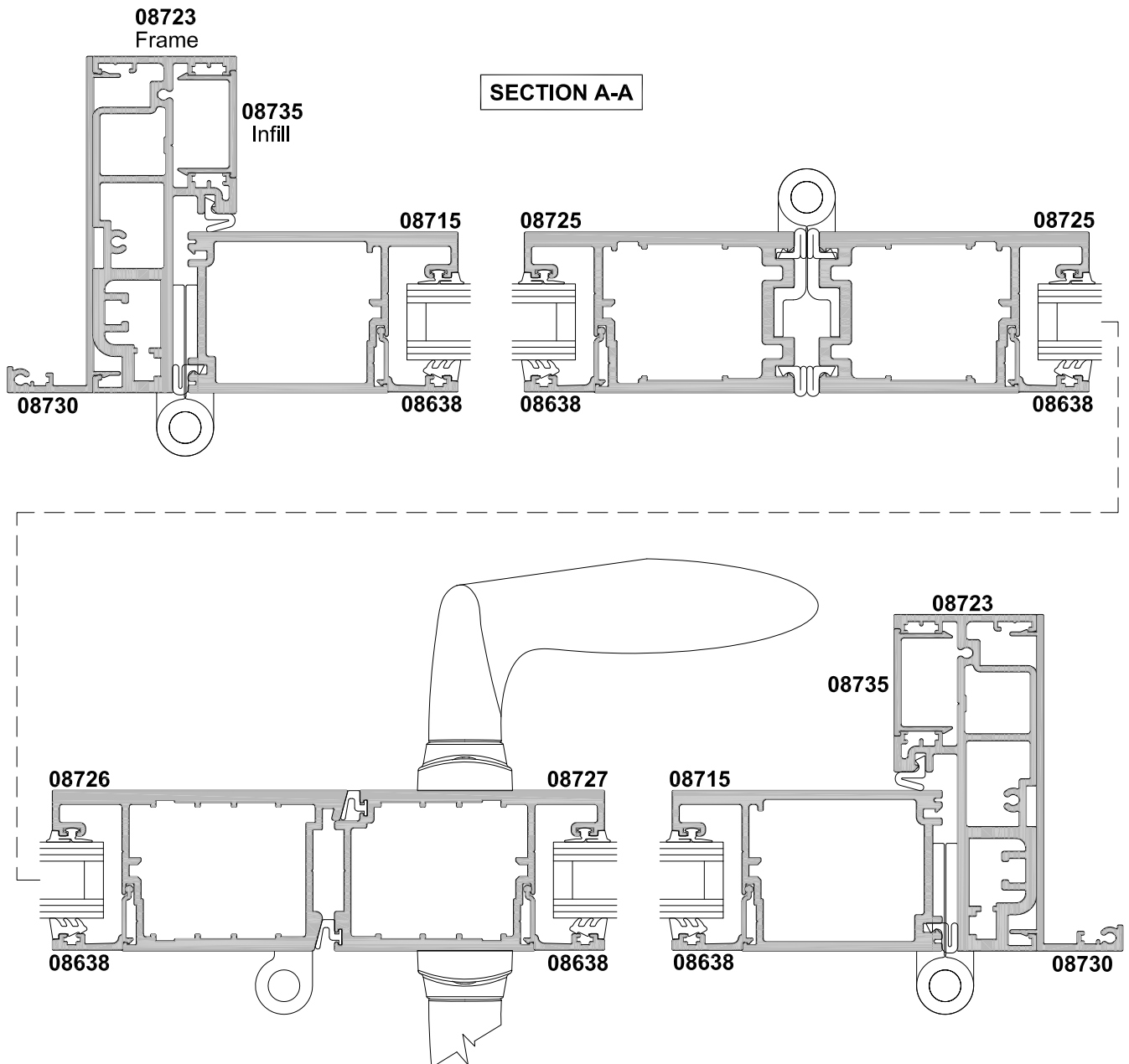
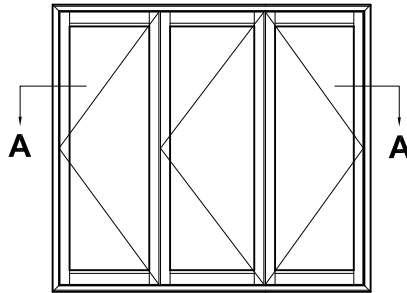


APL ARCHITECTURAL SERIES
BI-FOLD DOOR 2 + 1 PANEL
CROSS SECTION

CAD REF. VABD04-0

DATE
01.06.11

SCALE
1:2



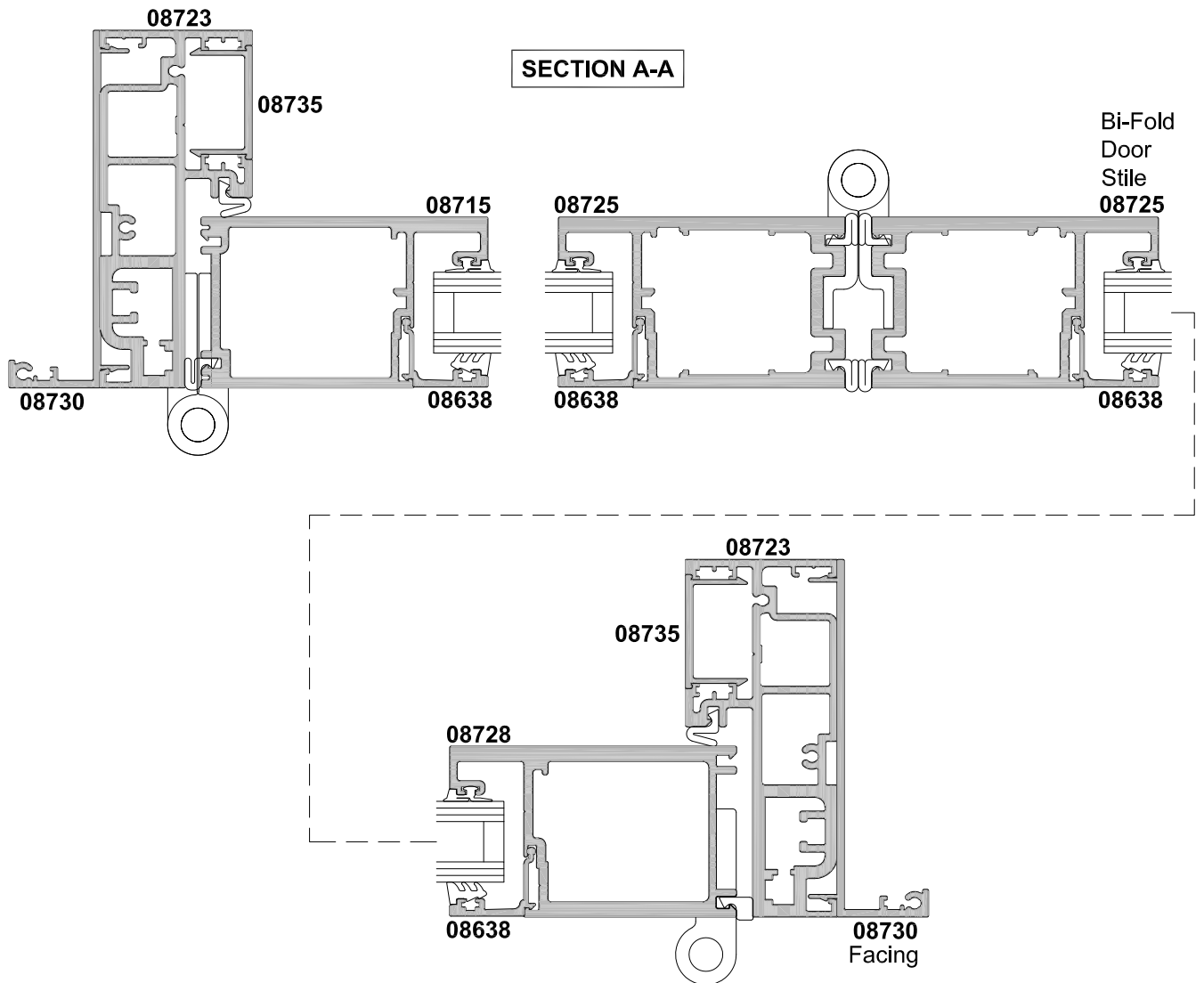
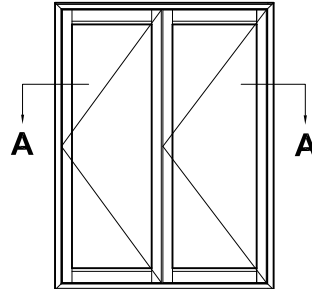


APL ARCHITECTURAL SERIES
BI-FOLD DOOR 2 PANEL
CROSS SECTION

CAD REF. VABD05-0

DATE
01.06.11

SCALE
1:2



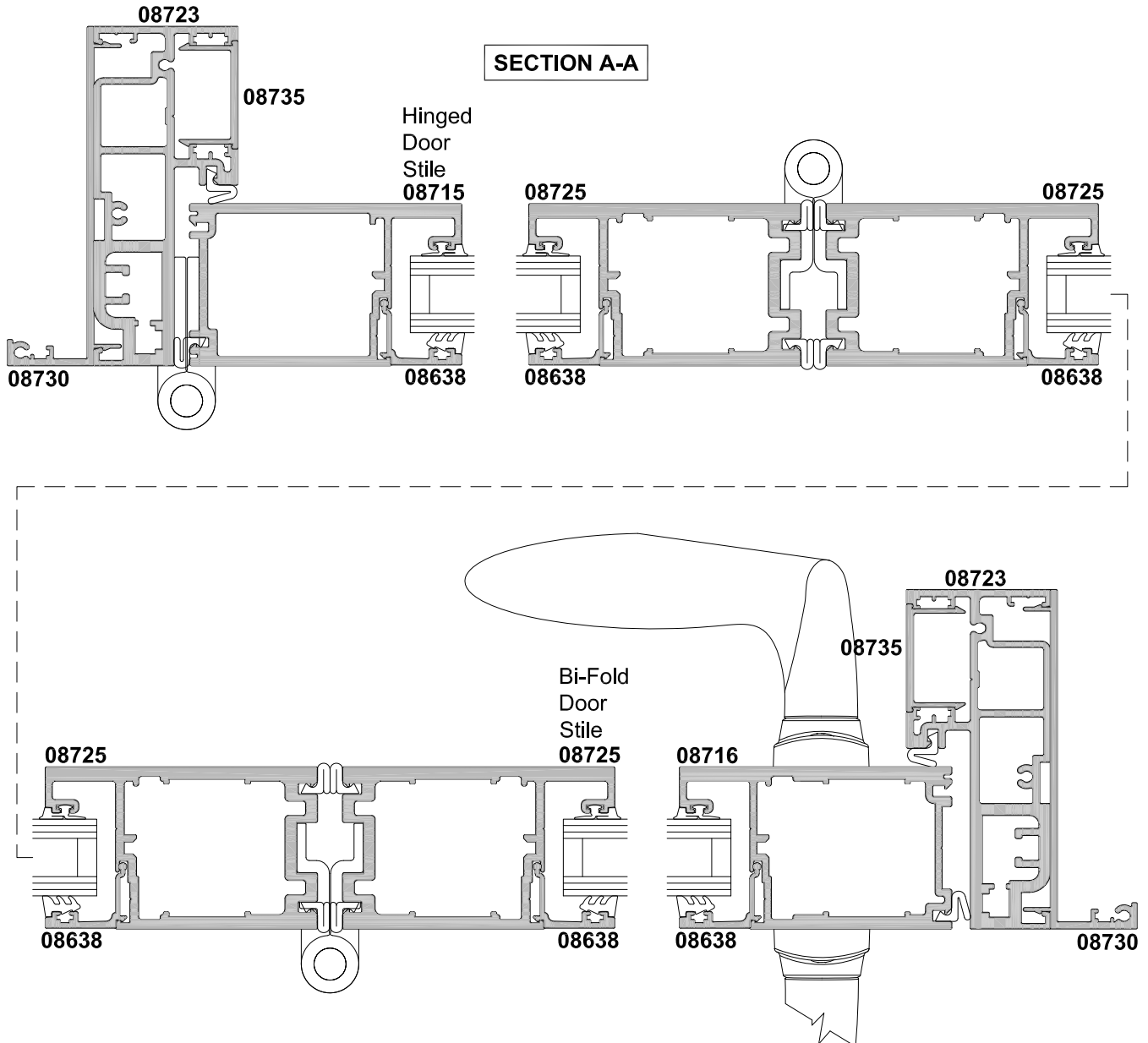
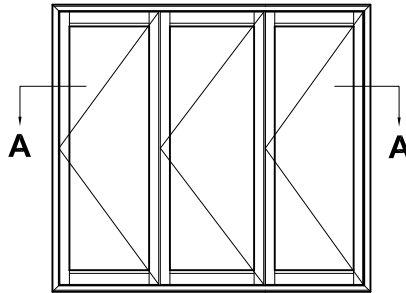


APL ARCHITECTURAL SERIES
BI-FOLD DOOR 3 PANEL
CROSS SECTION

CAD REF. VABD06-0

DATE
01.06.11

SCALE
1:2



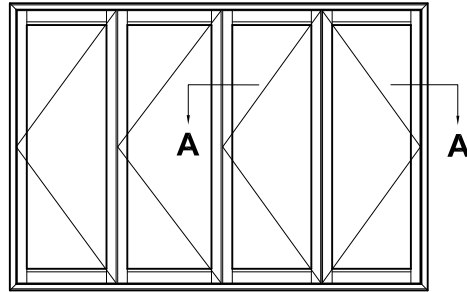


APL ARCHITECTURAL SERIES
BI-FOLD DOOR 3 + 1 PANEL
CROSS SECTION

CAD REF. VABD07-0

DATE
01.06.11

SCALE
1:2



SECTION A-A

