

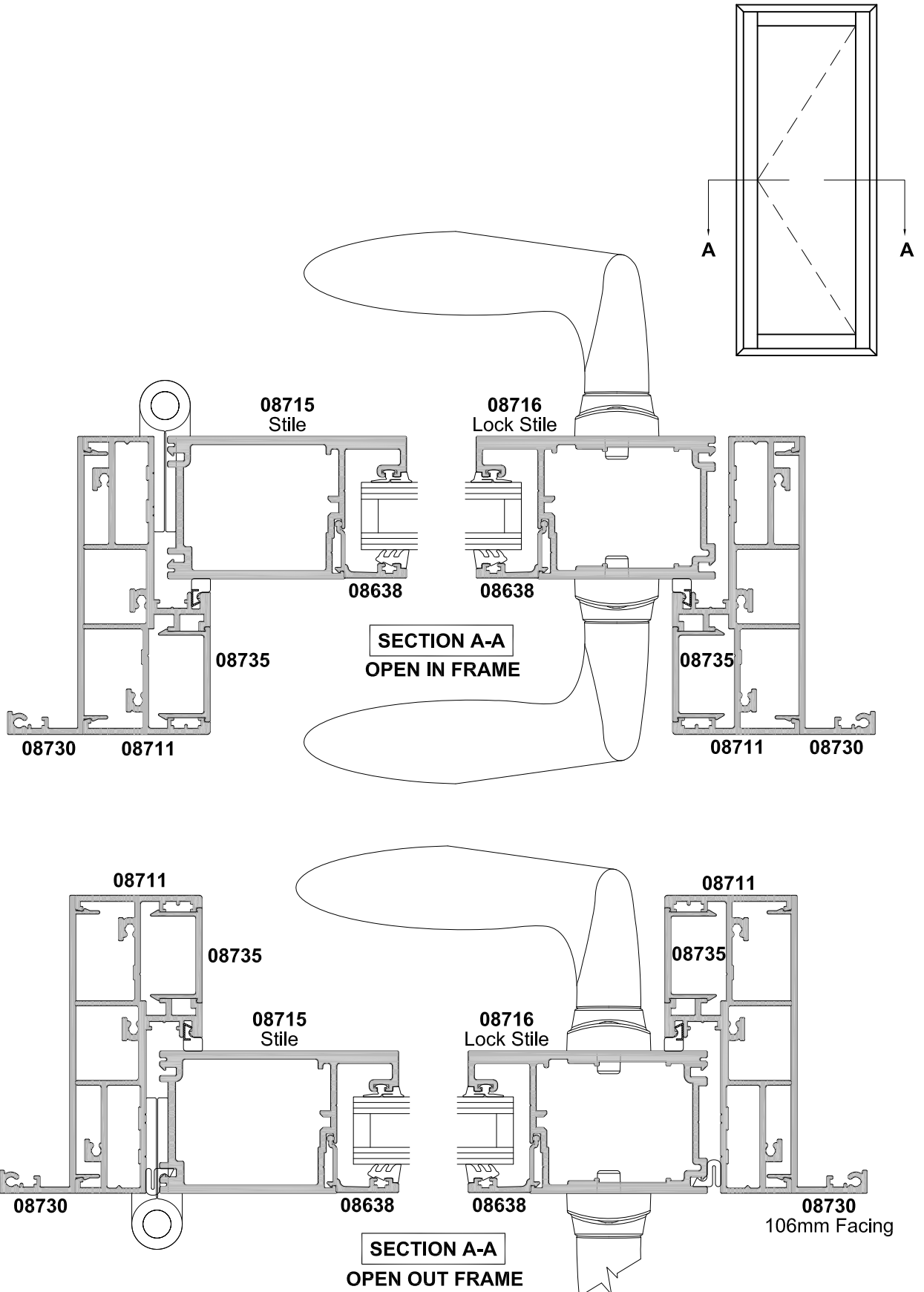


**APL ARCHITECTURAL SERIES**  
**HINGED DOOR - OPEN IN &**  
**OPEN OUT 106MM FRAMES**  
CROSS SECTIONS

CAD REF. VAHD02-0

DATE  
01.06.11

SCALE  
1:2



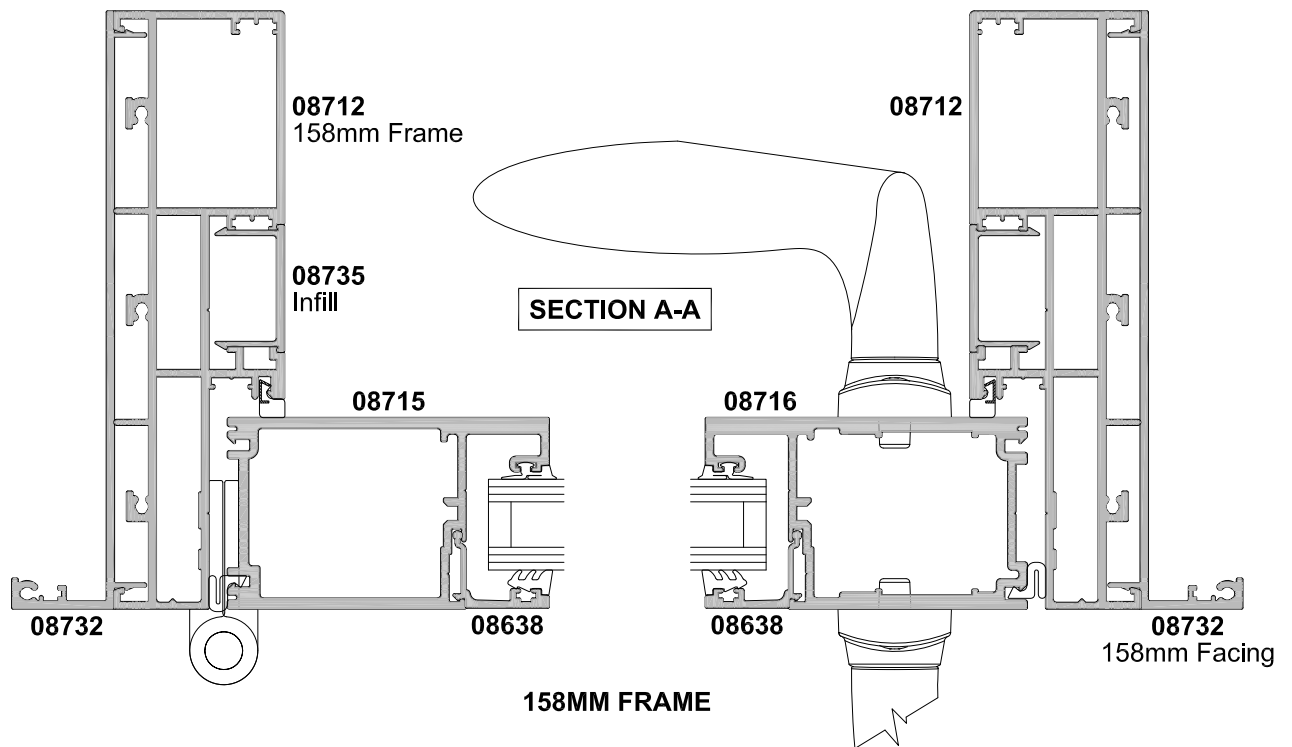
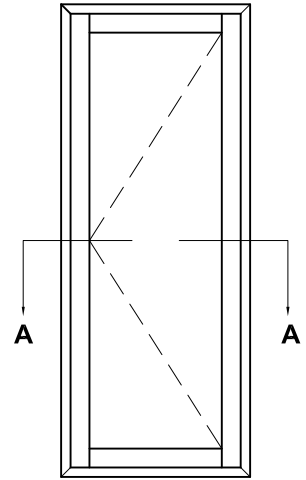


**APL ARCHITECTURAL SERIES**  
**HINGED DOOR**  
**158MM FRAMES**  
**CROSS SECTION**

CAD REF. VAHD03-0

DATE  
01.06.11

SCALE  
1:2



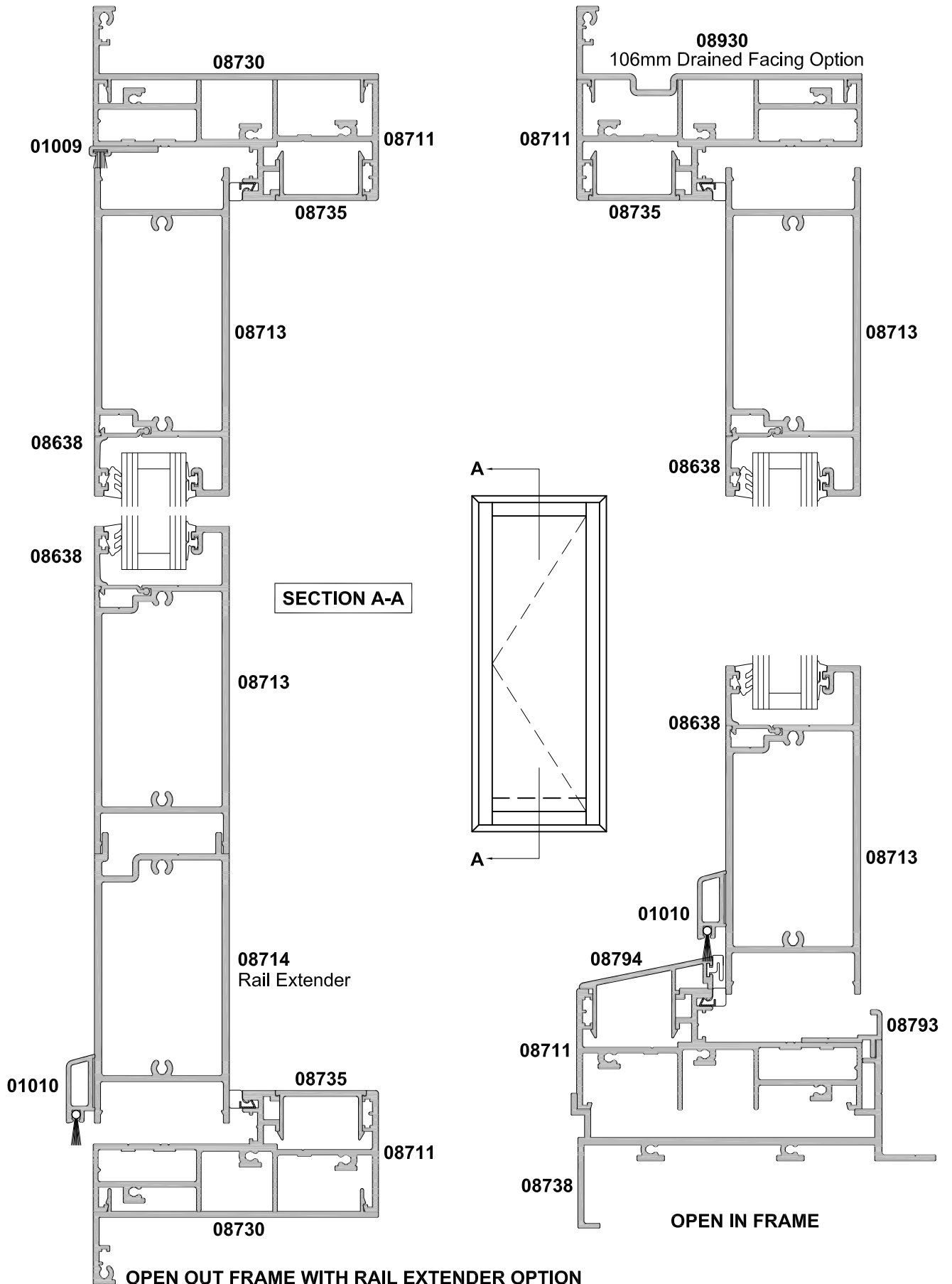


**APL ARCHITECTURAL SERIES**  
**HINGED DOOR - 106MM FRAMES**  
 CROSS SECTION

CAD REF. VAHD04-0

DATE  
01.06.11

SCALE  
1:2



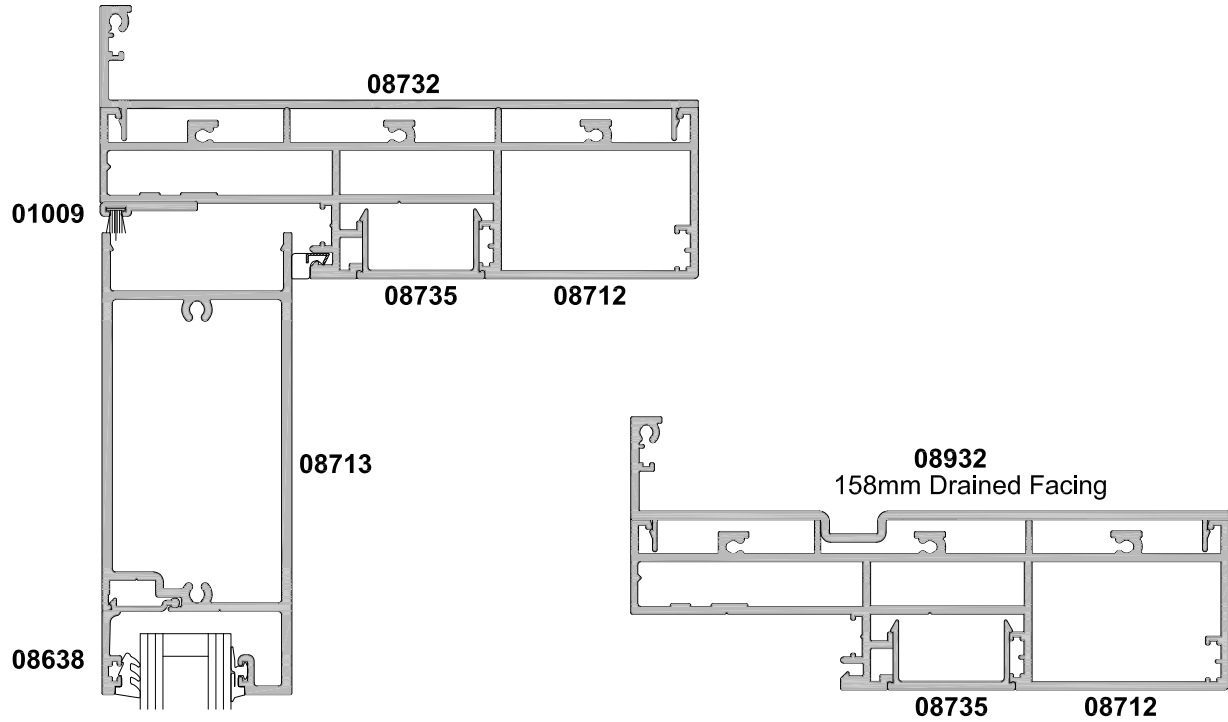


**APL ARCHITECTURAL SERIES  
HINGED DOOR  
158MM FRAMES  
CROSS SECTION**

CAD REF. VAHD05-0

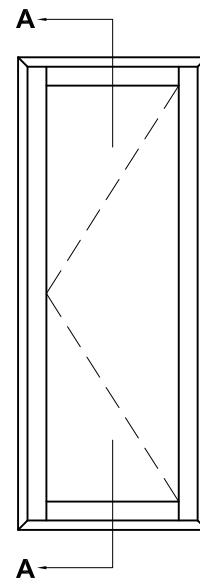
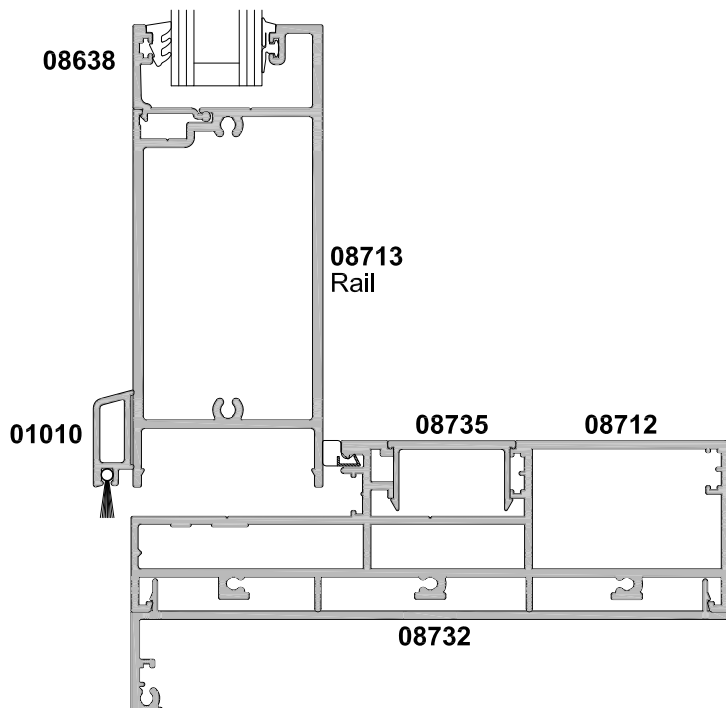
DATE  
01.06.11

SCALE  
1:2



**DRAINED FACING OPTION**

**SECTION A-A**



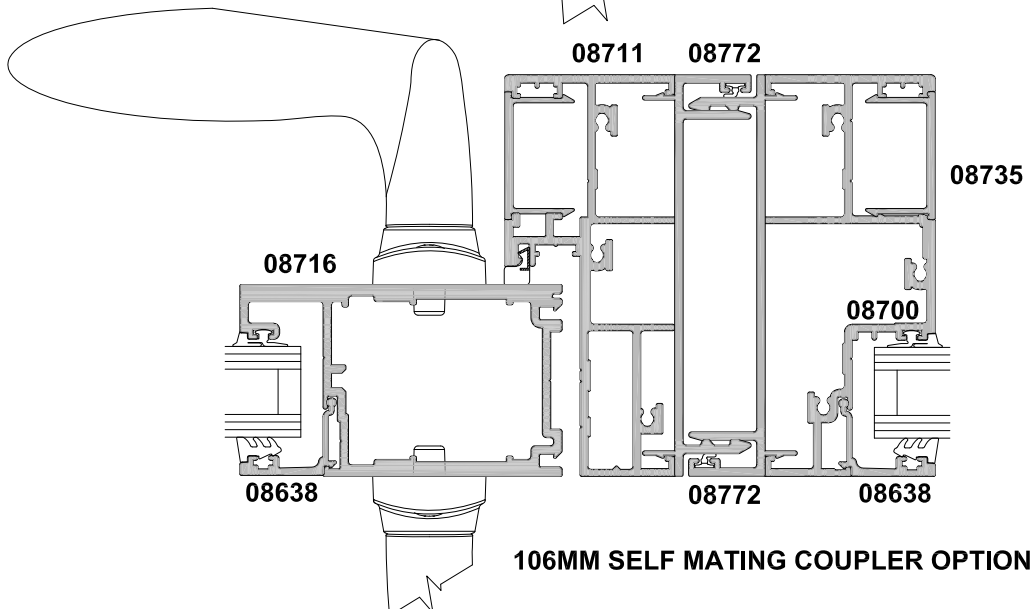
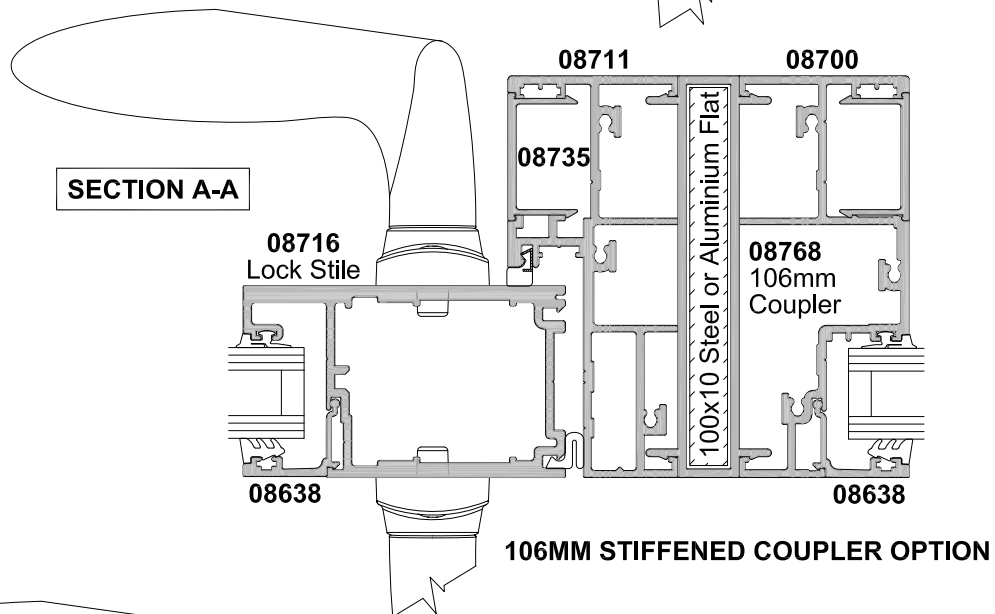
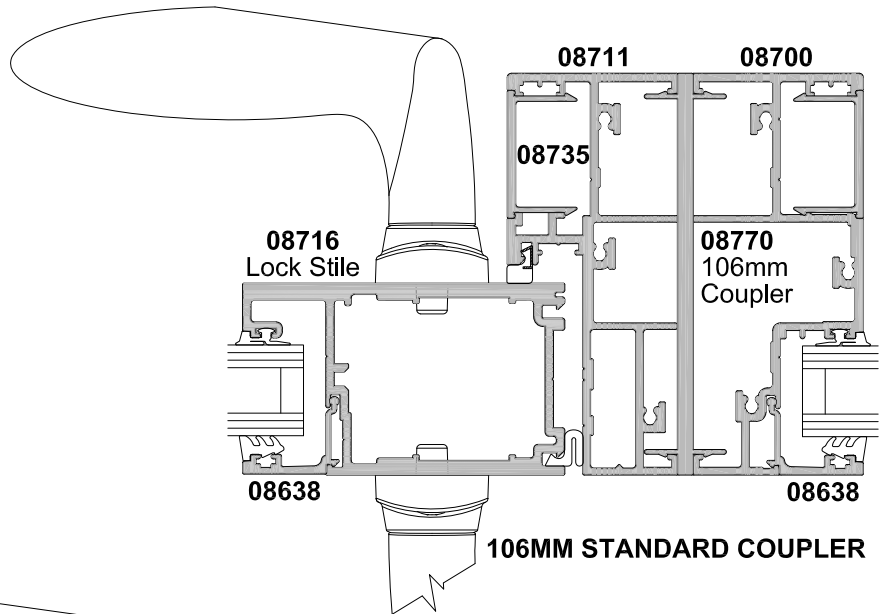
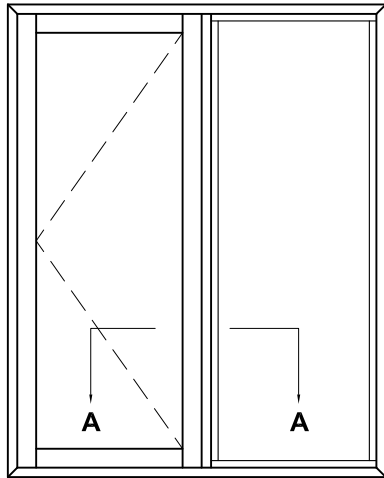


**APL ARCHITECTURAL SERIES**  
**HINGED DOOR WITH SIDELIGHT**  
CROSS SECTION

CAD REF. VAHD06-0

DATE  
01.06.11

SCALE  
1:2



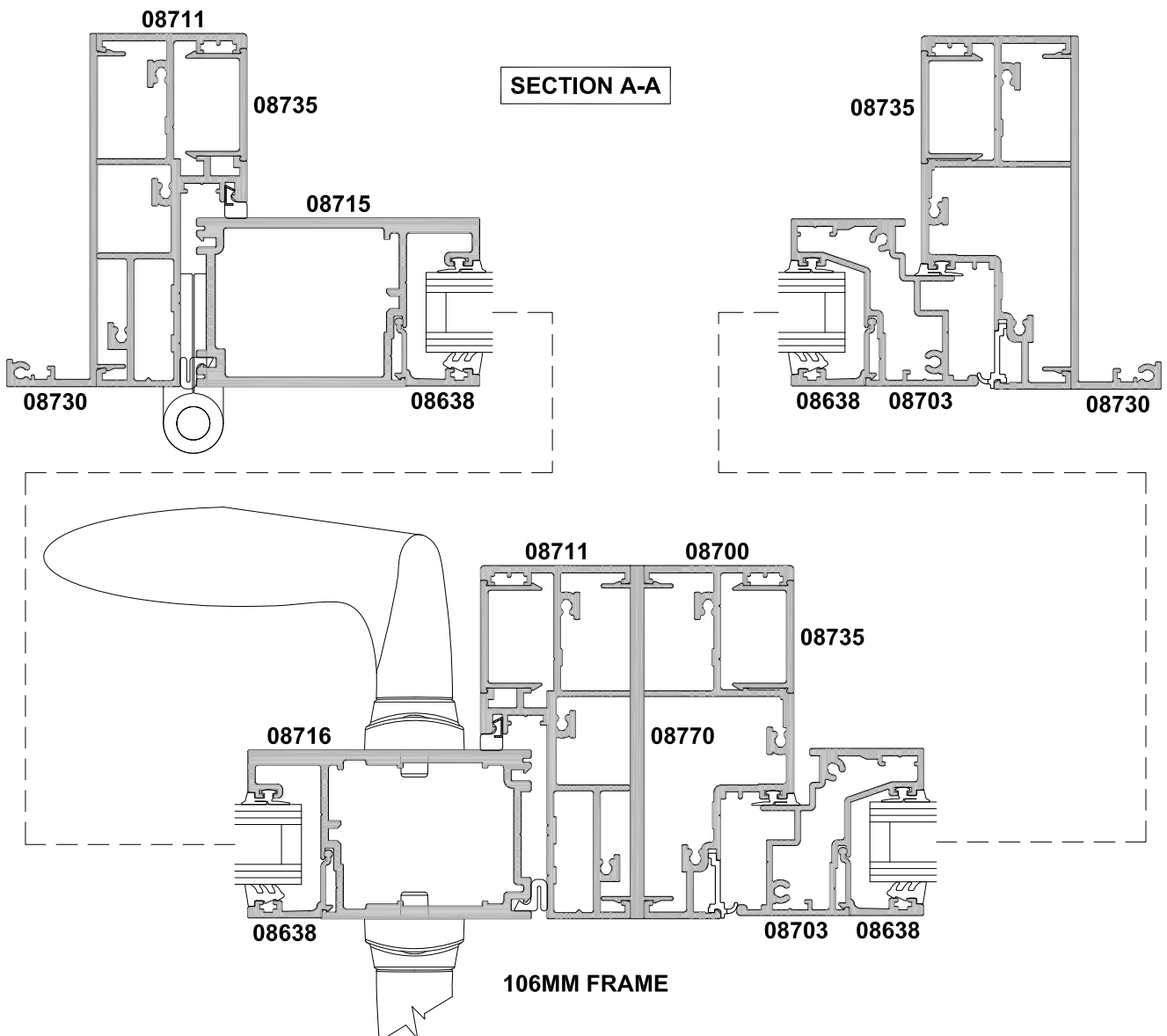
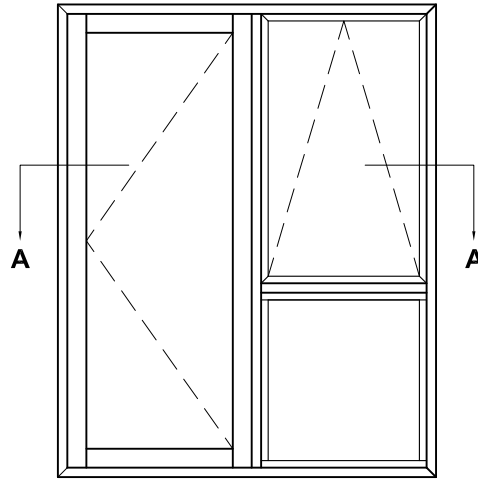


**APL ARCHITECTURAL SERIES  
HINGED DOOR WITH AWNING SASH  
CROSS SECTION**

CAD REF. VAHD07-0

DATE  
01.06.11

SCALE  
1:2



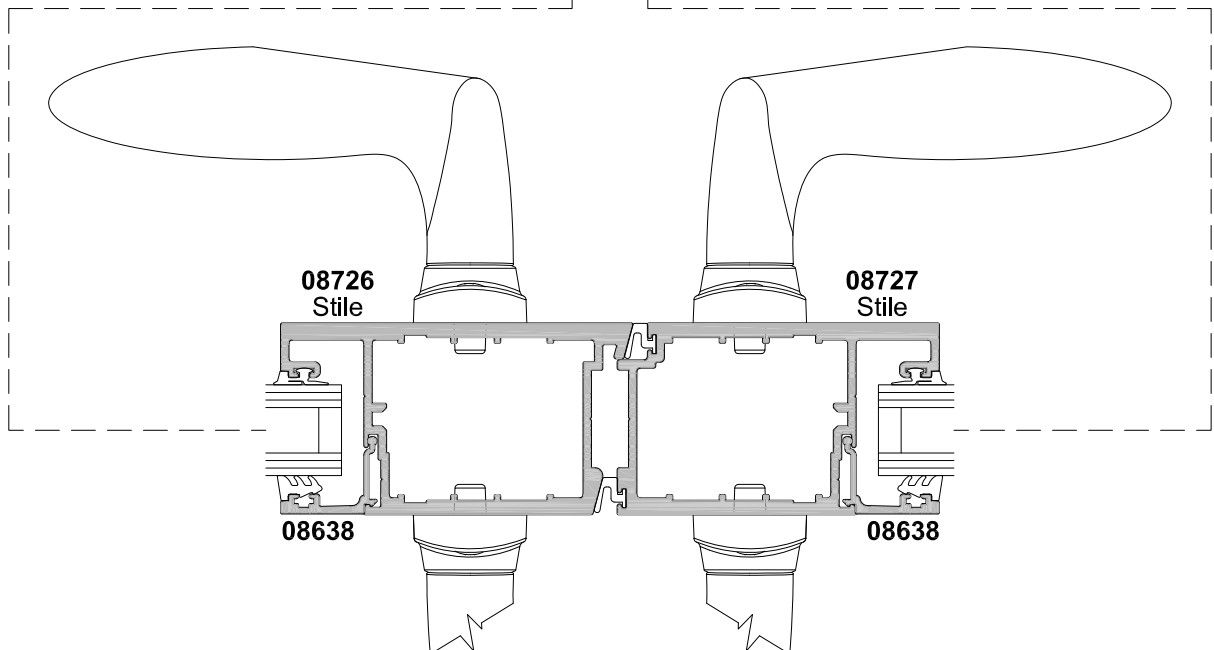
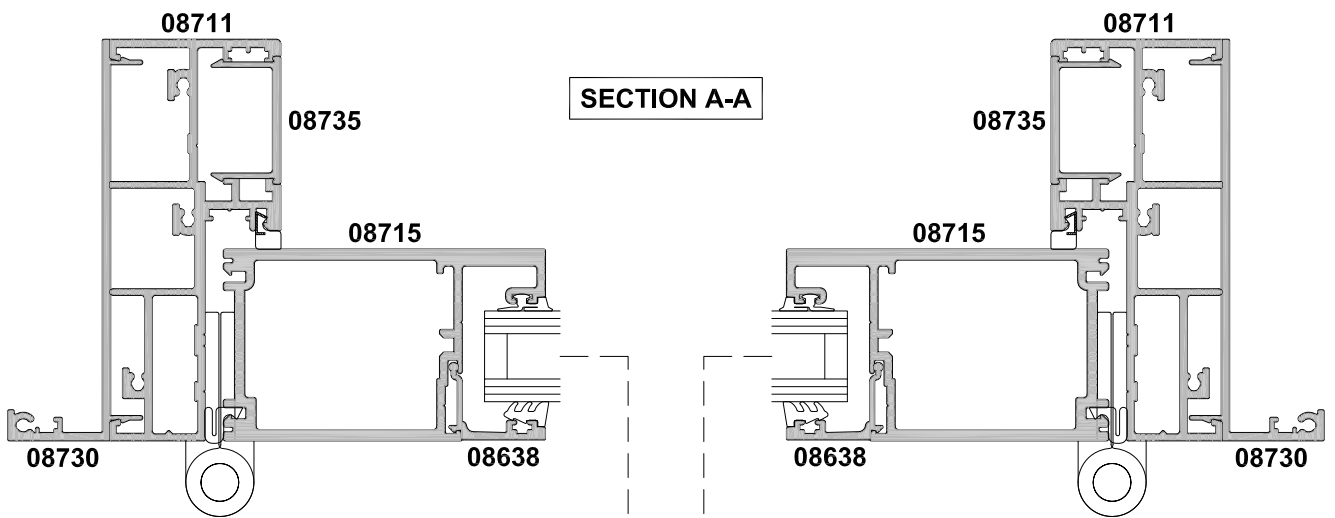
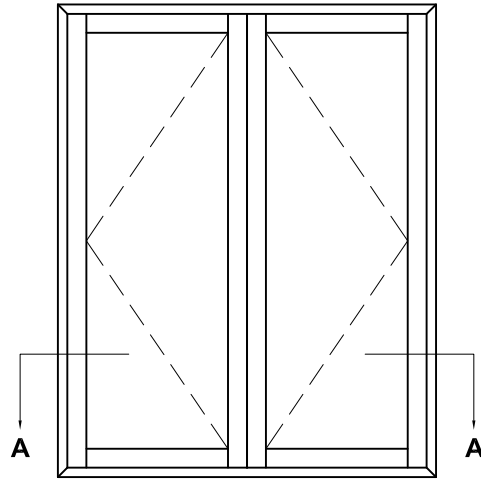


**APL ARCHITECTURAL SERIES**  
**FRENCH DOOR**  
CROSS SECTION

CAD REF. VAHD08-0

DATE  
01.06.11

SCALE  
1:2



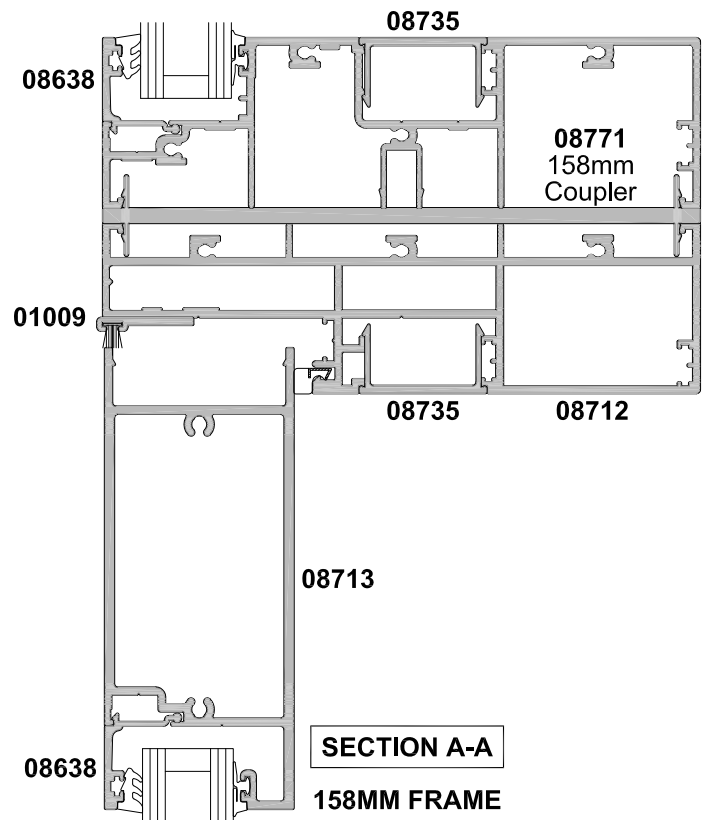
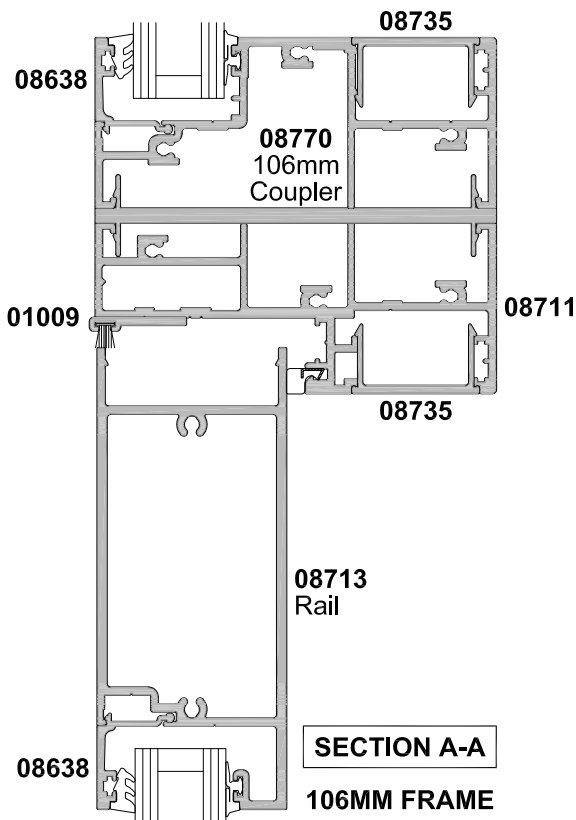
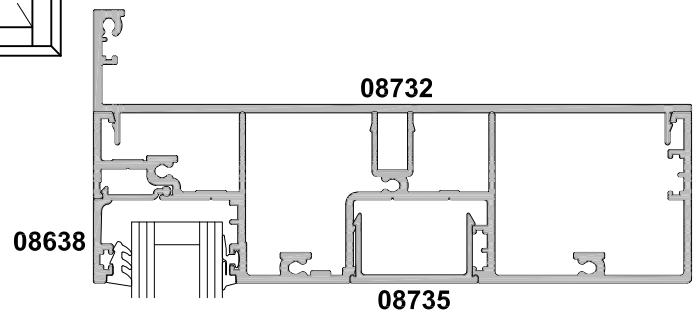
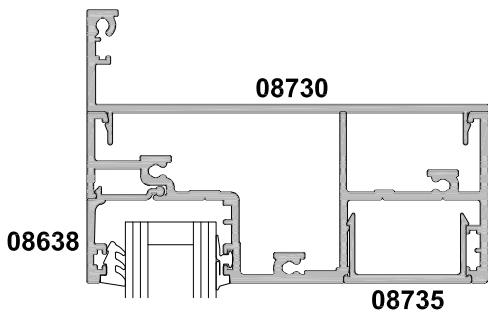
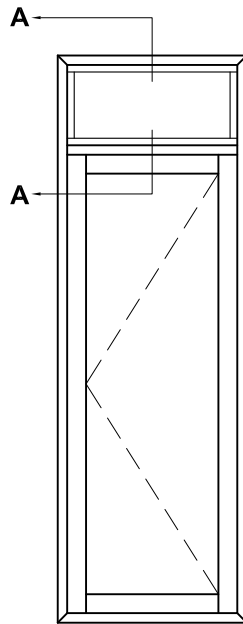


**APL ARCHITECTURAL SERIES**  
**HINGED DOOR 106MM & 158MM FRAMES**  
**WITH OVERLIGHT**  
 CROSS SECTION

CAD REF. VAHD09-0

DATE  
01.11.07

SCALE  
1:2







**APL ARCHITECTURAL SERIES**  
**HINGED DOOR 106MM & 158MM FRAMES**  
**WITH OVERLIGHT SASH**  
 CROSS SECTION

CAD REF. VAHD10-0

DATE  
01.06.11

SCALE  
1:2

