

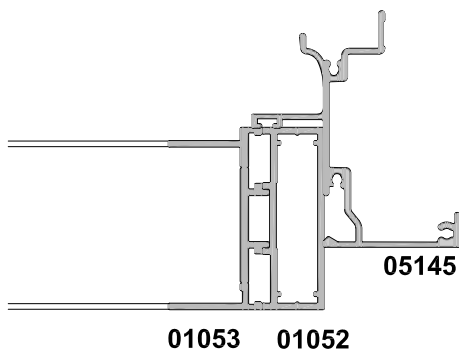
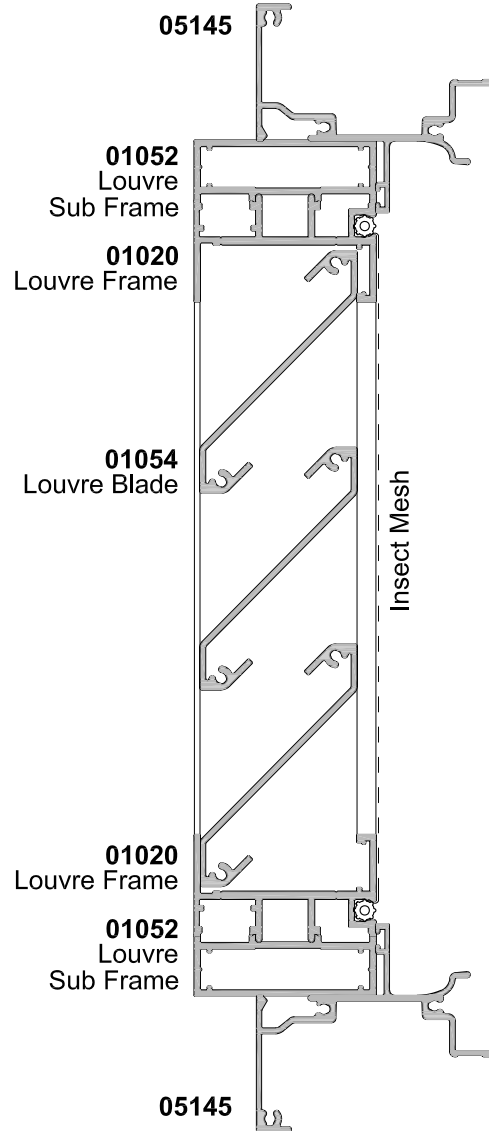
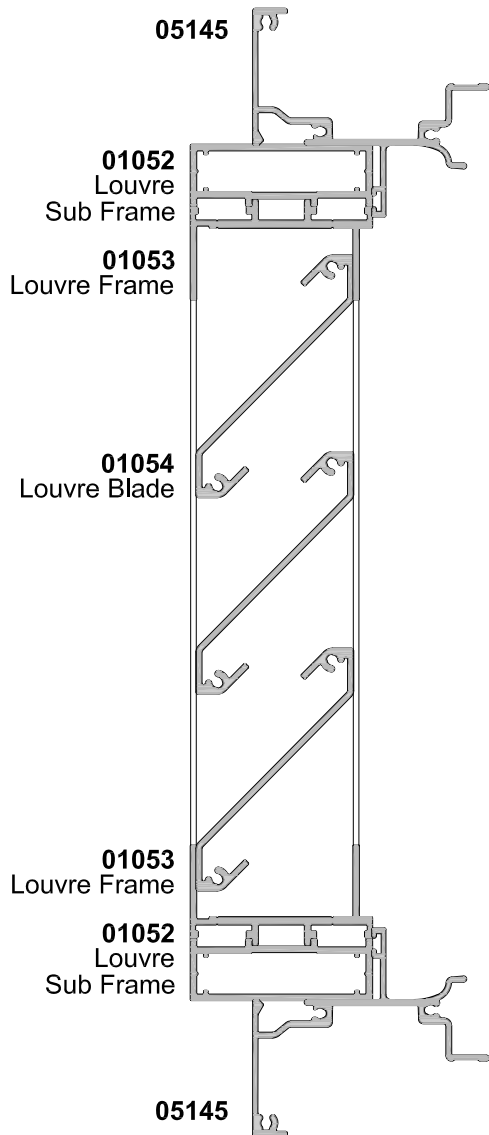


**FIXED LOUVRES**  
CROSS SECTION

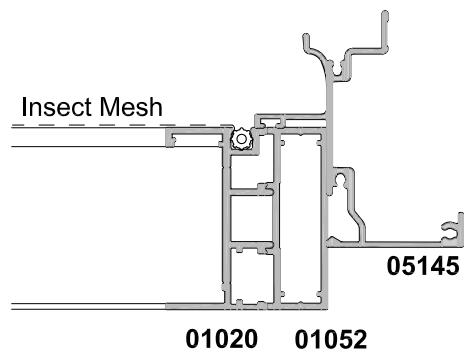
CAD REF. VAL01-0

DATE  
18.03.21

SCALE  
1:2



**JAMB DETAIL**



**JAMB DETAIL**

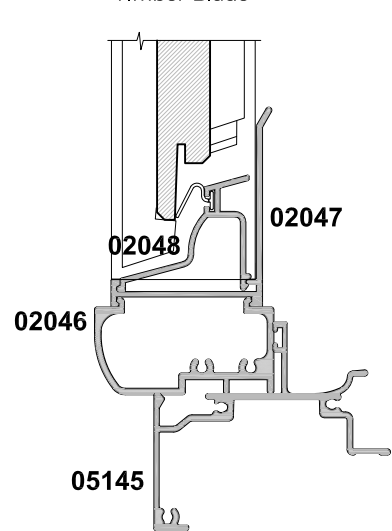
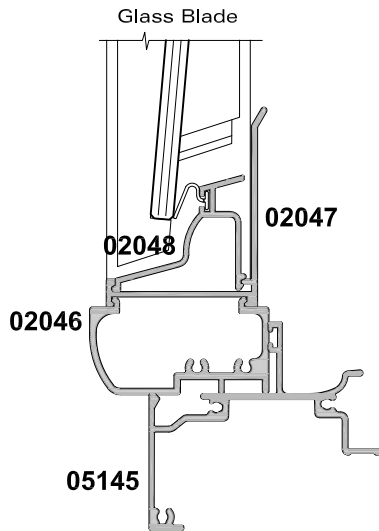
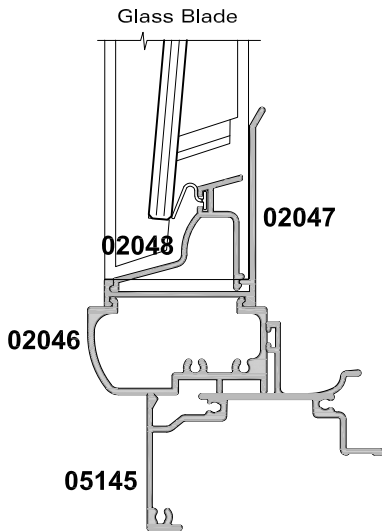
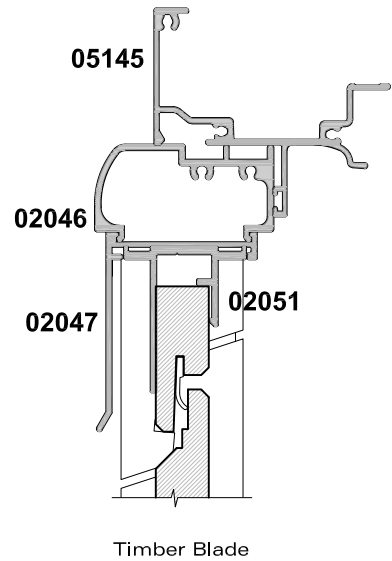
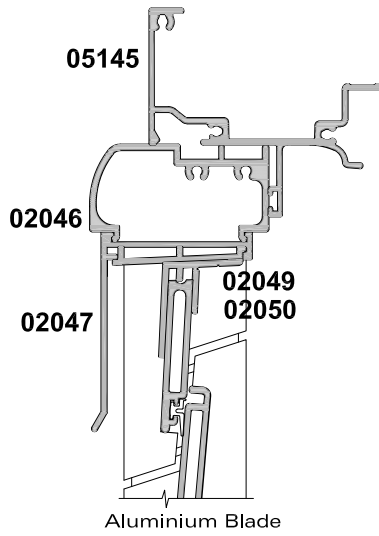
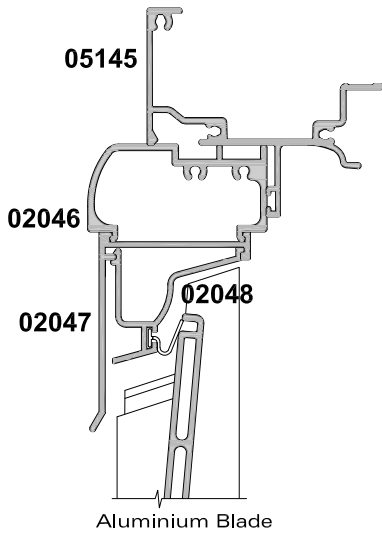


**ALTAIR LOUVRES  
HORIZONTAL & VERTICAL DETAILS  
WITH MULLIONS  
CROSS SECTION**

CAD REF. VAL02-0

DATE  
18.03.21

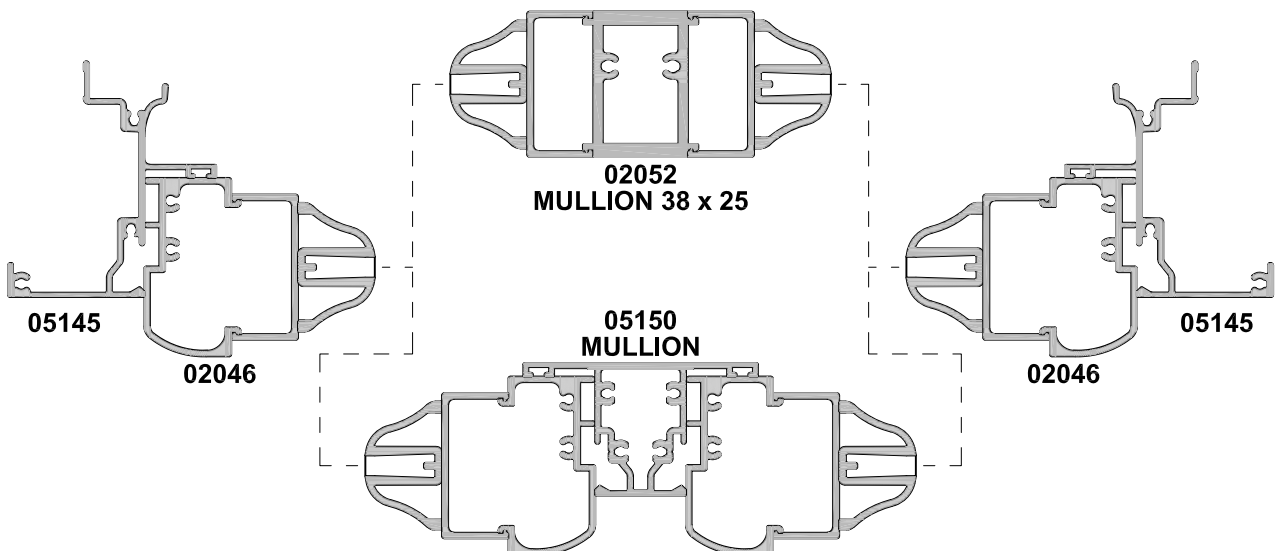
SCALE  
1:2



**GLASS, ALUMINIUM &  
TIMBER BLADES  
STANDARD JAMB HEIGHT**

**GLASS & ALUMINIUM BLADES  
NON-STANDARD JAMB HEIGHT**

**TIMBER BLADES  
NON-STANDARD JAMB HEIGHT**





# ALTAIR LOUVRE SPECIFICATION

CAD REF. VAL03-0

DATE  
01.04.19

SCALE  
1:2

STANDARD LOUVRE JAMB HEIGHTS				
Number Of Blades	Louvre Jamb Height (mm)	Box Height (mm)	Louvre Jamb Height (mm)	Box Height (mm)
	102mm Blades	102mm Blades	152mm Blades	152mm Blades
2	-	-	320	412
3	310	402	460	552
4	400	492	600	692
5	490	582	740	832
6	580	672	880	972
7	670	762	1020	1112
8	760	852	1160	1252
9	850	942	1300	1392
10	940	1032	1440	1532
11	1030	1122	1580	1672
12	1120	1212	1720	1812
13	1210	1302	1860	1952
14	1300	1392	2000	2092
15	1390	1482	2140	2232
16	1480	1572	2280	2372
17	1570	1662	2420	2512
18	1660	1752	2560	2652
19	1750	1842	2700	2792
20	1840	1932	2840	2932
21	1930	2022	2980	3072
22	2020	2112	-	-
23	2110	2202	-	-
24	2200	2292	-	-
25	2290	2382	-	-
26	2380	2472	-	-
27	2470	2562	-	-
28	2560	2652	-	-
29	2650	2742	-	-
30	2740	2832	-	-
31	2830	2922	-	-
32	2920	3012	-	-
33	3010	3102	-	-

NEW ZEALAND PRODUCT PERFORMANCE WARRANTY				
	Low & Medium Wind Zones		High Wind Zones	
152mm Altair Louvre	Max Span (mm)	Max Blades	Max Span (mm)	Max Blades
152mm Glass Blade (toughened and annealed)	900	21	700	17
152mm Aluminium Blade	600	17	450	17
152mm Timber Blade	600	17	450	17
102mm Altair Louvre	Max Span (mm)	Max Blades	Max Span (mm)	Max Blades
102mm Glass Blade (toughened and annealed)	750	33	700	27
102mm Aluminium Blade	600	27	450	27
102mm Timber Blade	600	27	450	27
	Max Span (mm)		Max Span (mm)	
38 x 25mm Mullion 02052	1800		1500	
There is no warranty on standard Altair louvres in any wind zone greater than High				
38 x 25mm Mullion 02052	1800		1500	



**ALTAIR LOUVRES**  
**01042 FRAME**  
CROSS SECTION

CAD REF. VAL04-0

DATE  
18.03.21

SCALE  
1:2

