

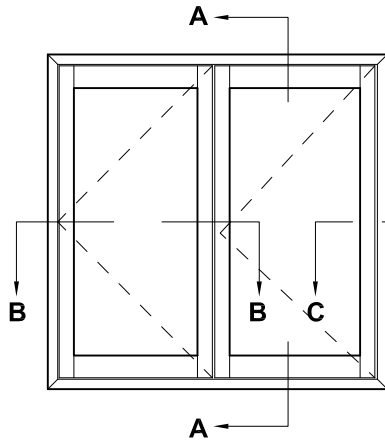
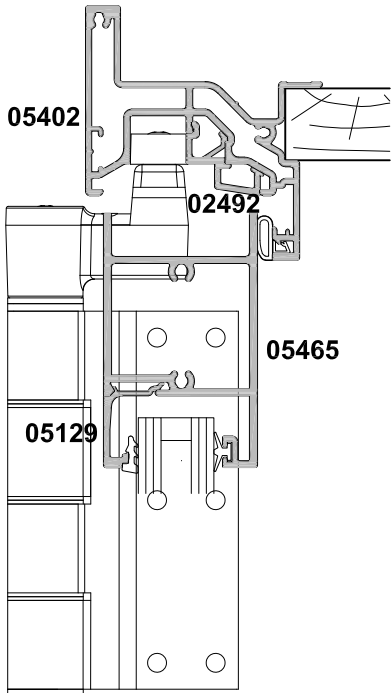


# BI-FOLD WINDOW TWO PANEL CROSS SECTION

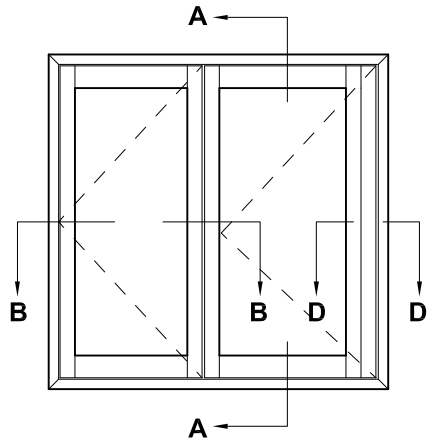
CAD REF. VBW01-0

DATE  
01.04.19

SCALE  
1:2

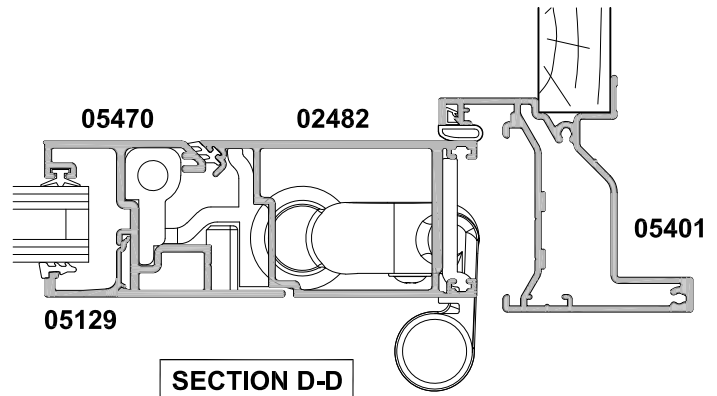
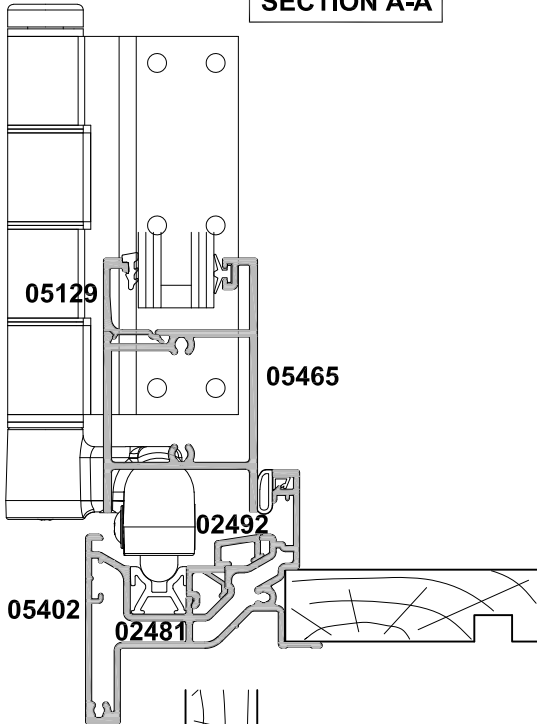


STANDARD BI-FOLD

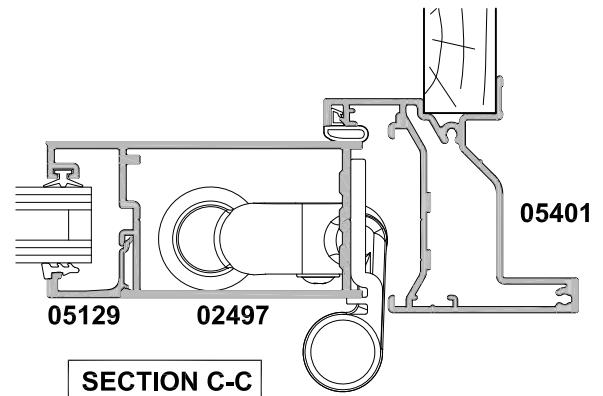


LAY-BACK OPTION

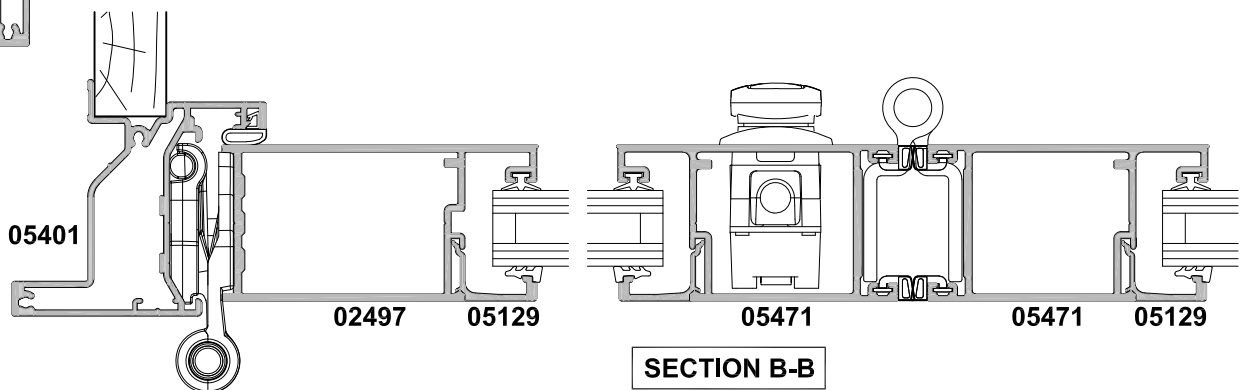
SECTION A-A



SECTION D-D



SECTION C-C



SECTION B-B

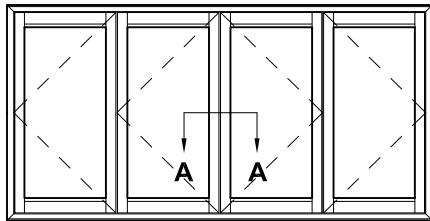


# BI-FOLD WINDOW MEETING STILES CROSS SECTION

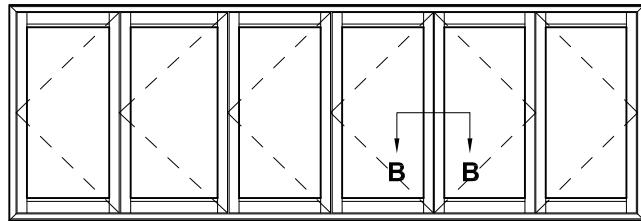
CAD REF. VBW02-0

DATE  
01.04.19

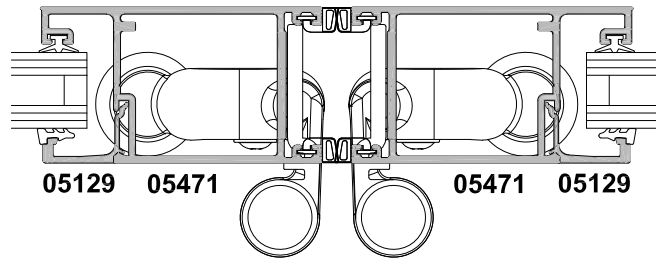
SCALE  
1:2



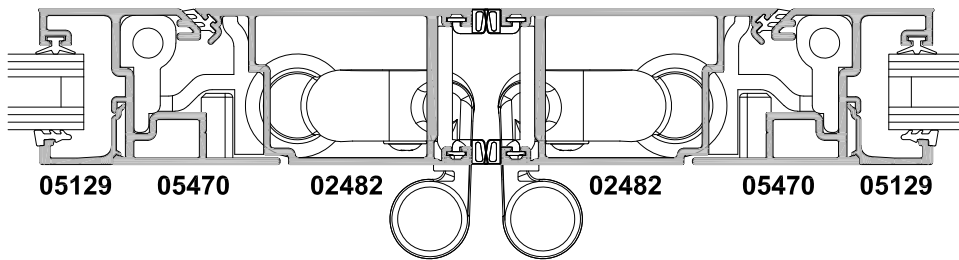
2 + 2 Panel



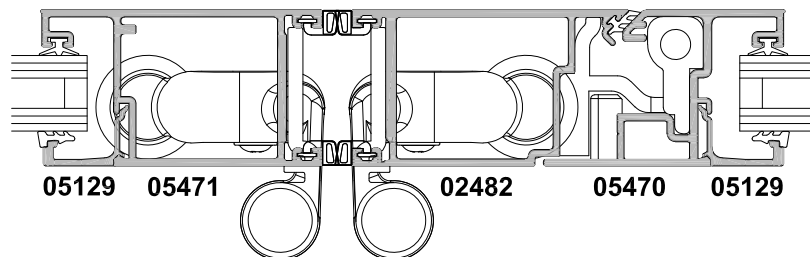
4 + 2 Panel



SECTION A-A & B-B  
STANDARD PANELS



SECTION A-A  
LAY-BACK OPTION



SECTION B-B  
LAY-BACK OPTION ON TWO PANEL SIDE ONLY